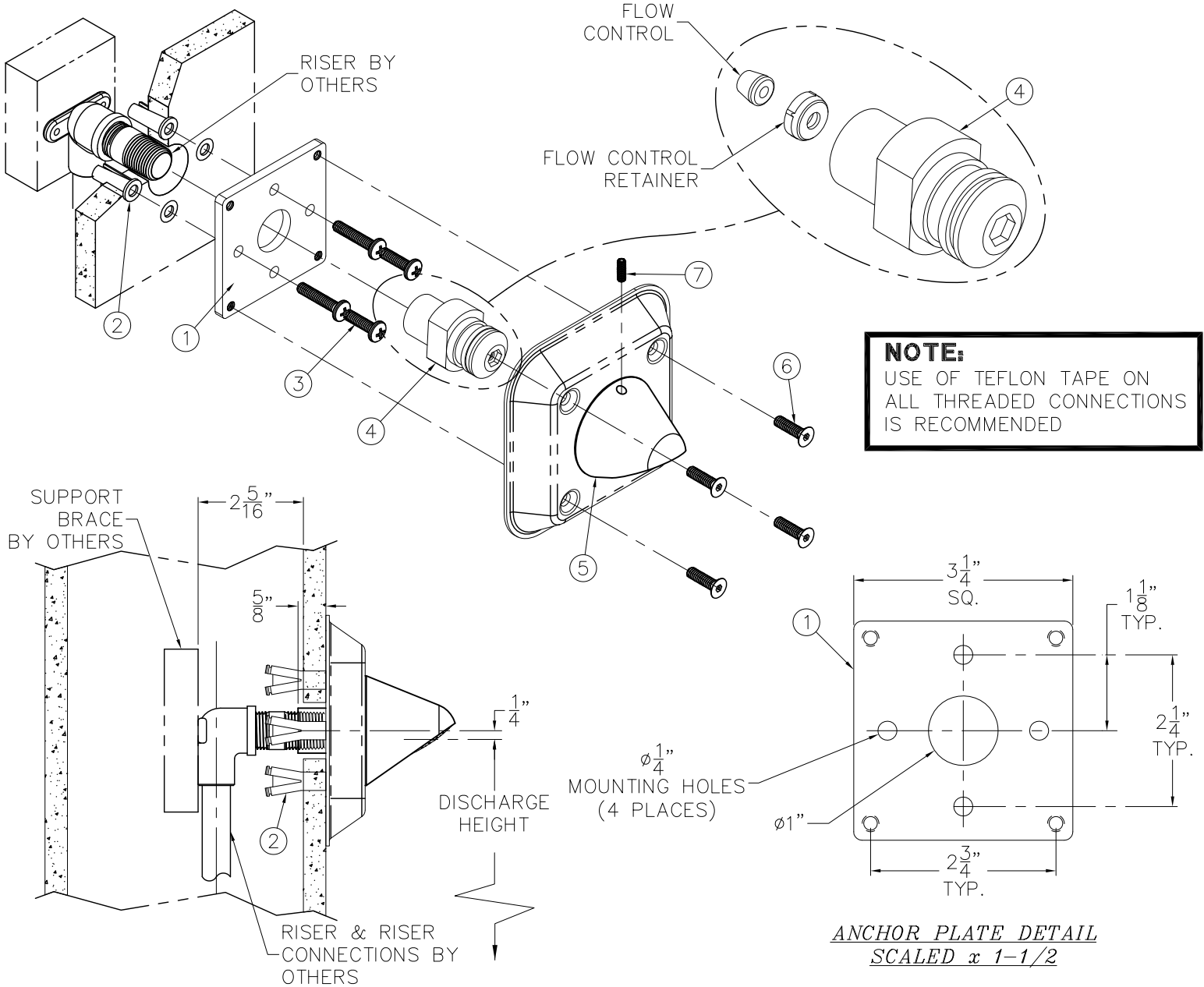




REPAIR PARTS	
SHOWERHEAD	9970-040-001



INSTALLATION INSTRUCTIONS:

- A- PRIOR TO MAKING UP CONNECTIONS TO VALVE ASSEMBLY, FLUSH SUPPLY LINES THOROUGHLY.
- B- USING ANCHOR PLATE (1) AS A TEMPLATE, LOCATE AND MARK MOUNTING POINTS TO INSTALL WALL ANCHOR (2) BY OTHERS FOR 1/4"-20 x 1-1/4" LONGS SCREWS (3) PROVIDED.
- C- SECURE ANCHORING PLATE (1) TO WALL USING SCREWS (3) PROVIDED.
- D- MAKE UP SHOWER RISER CONNECTION FROM VALVE TO 1/2" NPT SHOWER ADAPTER (4).
- E- INSTALL AND SECURE SHOWERHEAD (5) ONTO WALL ANCHORING PLATE (1) USING SCREWS (6) AND SET SCREW (7) PROVIDED.

	WHITEHALL MANUFACTURING P.O. BOX 3527 Industry, CA 91744 15125 Proctor Ave Industry, CA 91746 (626) 968-6681 FAX (626) 855-4862	TITLE LIGATURE RESISTANT CONICAL SHOWER HEAD		
	MANUFACTURE DATE OCTOBER 2012 TO PRESENT	DATE ISSUED 10/24/12	DRAWING NUMBER 9918-036-001	
		DATE REVISED 07/10/14 C		