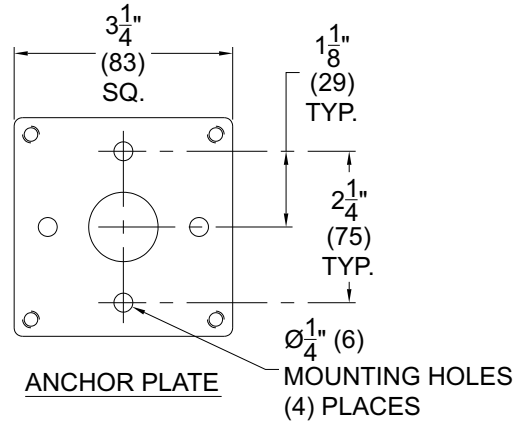
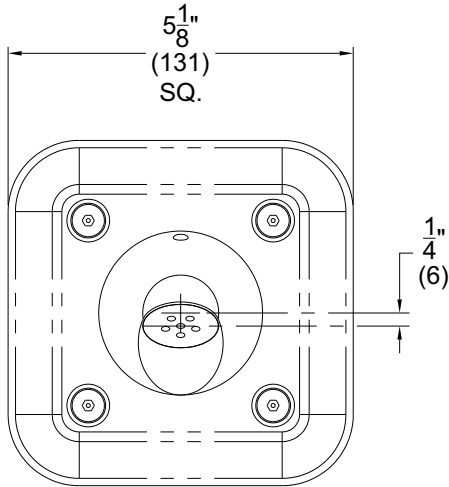




Division of
 Acorn Engineering Company



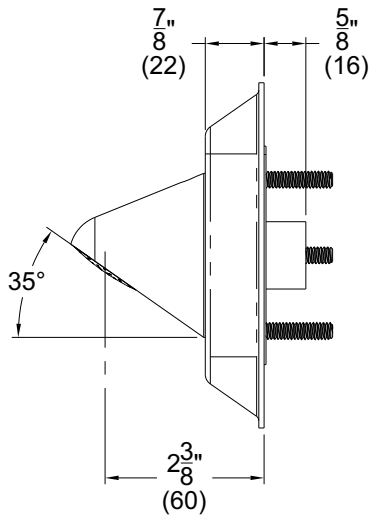
A MEMBER OF



MODEL NUMBER AND OPTIONS SELECTION:

BASE MODEL NUMBER

- WHCSH15 Ligature Resistant Shower, 1.5 GPM
- WHCSH25 Ligature Resistant Shower, 2.5 GPM



FEATURES:

- Chrome Plated Brass Showerhead Body, Spray pattern is a non-adjustable multi-stream style
- Stainless Steel Escutcheon with White Powder Coated Finish
- Ligature Resistant design
- 1/2" NPT x O-ring Adapter, Inlet Connection
- Vandal Resistant Fasteners provided



Please visit www.whitehallmfg.com for most current specifications.



Member of
 U.S. Green
 Building
 Council



Recyclable
 Product



Water
 Conserving
 Product



Federal
 Public Law
 111-380
 (No Lead)

