

SERVICE DATA SHEET

Assembly Instructions for 02865 PVC Support Unit

Required Tools

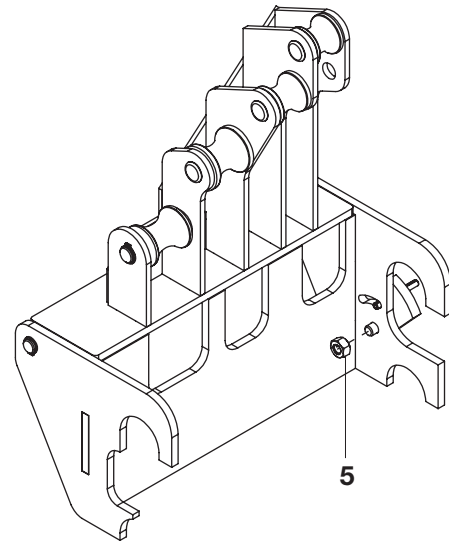
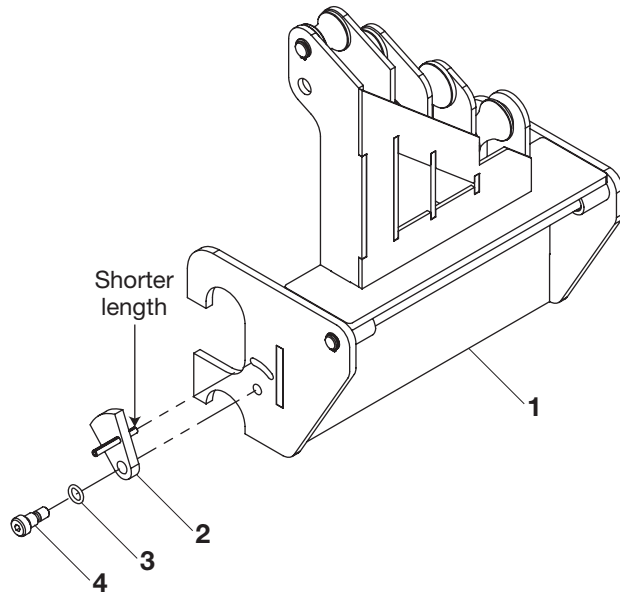
- 1/2" hex wrench
- 3/16" hex key

Parts List

Item	Description	Qty
1	Roller support unit.....	1
2	Cam unit.....	1
3	O-ring, 3/8 x 9/16 x 3/32.....	1
4	Shoulder screw, \varnothing 3/8 x 3/8 x 5/16-18.....	1
5	Hex lock nut, 5/16-18.....	1

Assembly

1. Install the cam against the support unit so that the short end of the rollpin is located in the slot on the support unit (see below).
2. Install the o-ring on the shoulder of the screw, and install the screw through the hole in the cam and support unit.
3. Install the hex nut on the screw and tighten so that the cam can pivot freely (see below).



4455 Boeing Drive • Rockford, IL 61109-2988 • USA • 815-397-7070
©2019 Greenlee Tools, Inc. • An ISO 9001 Company
www.greenlee.com

USA Tel: 800-435-0786
Fax: 800-451-2632

Canada Tel: 800-435-0786
Fax: 800-524-2853

International Tel: +1-815-397-7070
Fax: +1-815-397-9247