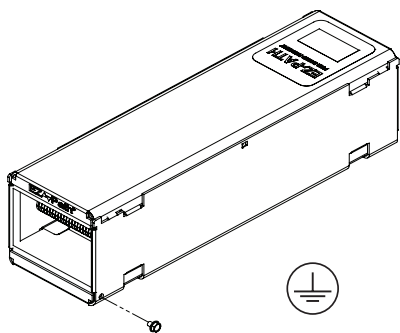
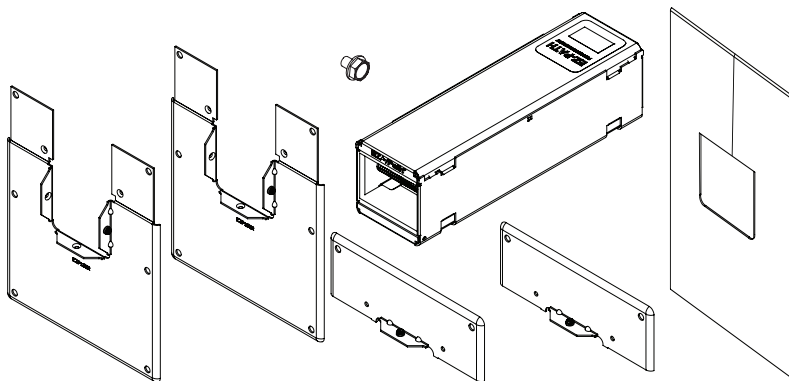


Series 33 Single Split Wall Plate for Retro-Fit Applications
(Part Numbers: EZP133R & EZDP33WR)



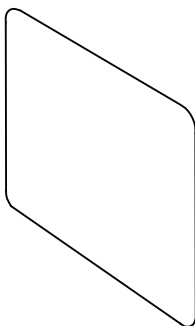
Optional Ground Attachment



Parts Included (Not to Scale)
Devices not included in Part No. EZP133R

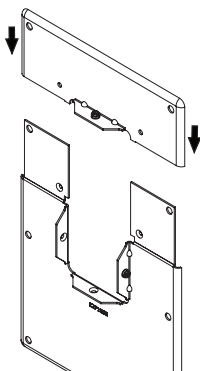
Option 1 – New Work Installations

1



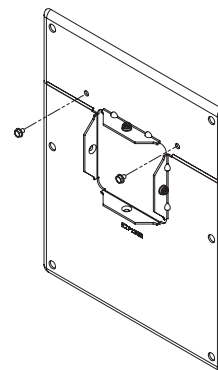
Cut max 6" (152 mm) by 8" (203 mm) opening in wall.

2



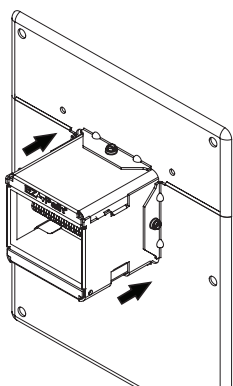
Assemble wall plates and gasket over opening

3



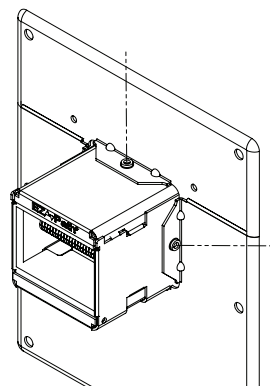
Use (2) #8-32 x 1/4" screws to secure plate sections together

4



Slide pathway into opening in wall plate and gasket

5



Secure plate to pathway on both sides of wall by tightening hex head screws

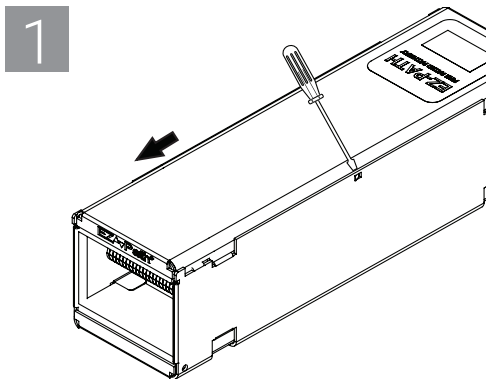
Note: For more information on firestop installation, refer to ASTM E3157.



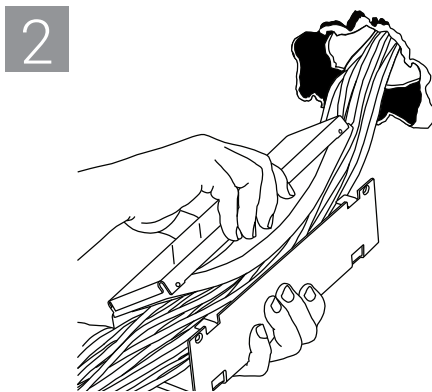
Series 33 Single Split Wall Plate for Retro-Fit Applications
(Part No. EZP133R & EZDP33WR)



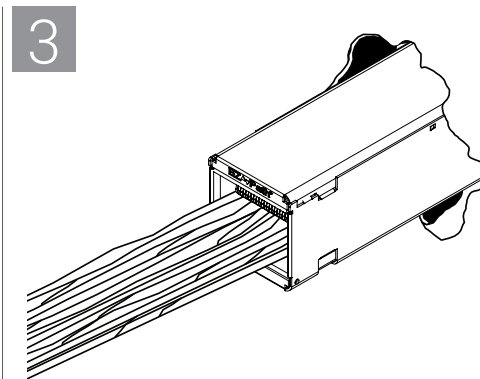
Option 2 – Old Work Installations (Cables Already Installed)



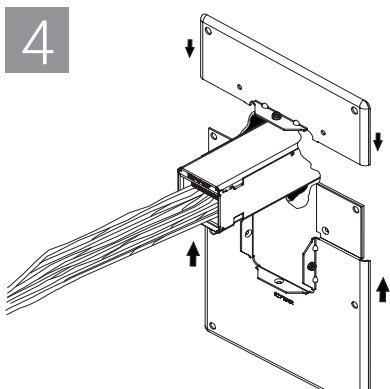
1 Remove lid by placing screw driver into indent on topside of device, sliding lid toward one end of device



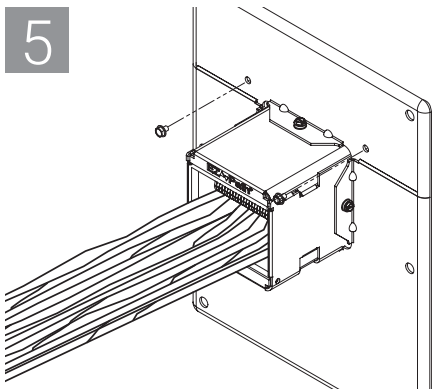
2 Reassemble device lid and body around cables



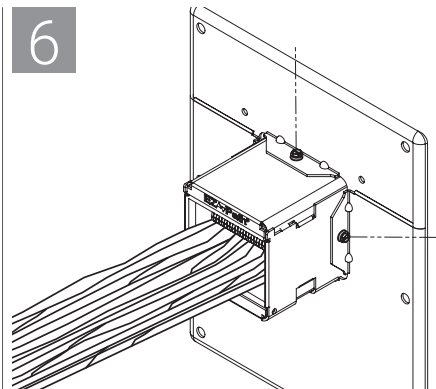
3 Place device in opening with ends extending equally from wall surfaces.



4 Place wall plates and gasket around device on both sides of wall



5 Use two (2) #8-32 x 1/4" screws to secure plate sections together



6 Secure plate to pathway on both sides of wall by tightening hex head slotted screws.

Note: For more information on firestop installation, refer to ASTM E3157.

