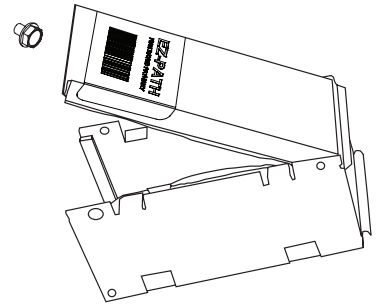
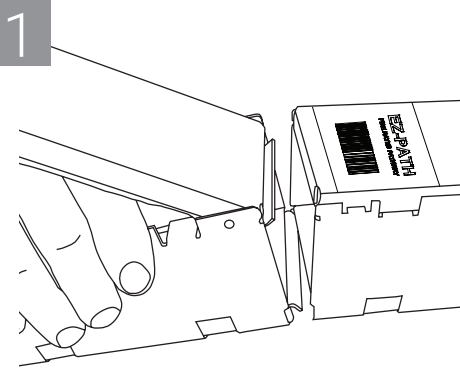


Optional Ground Attachment

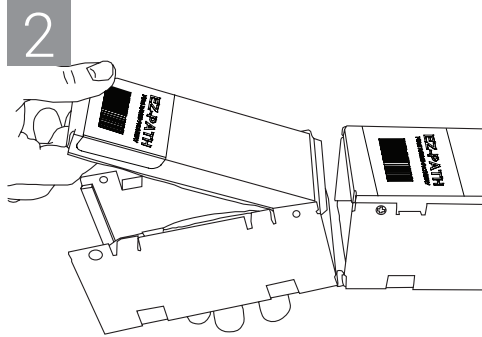


Parts Included (Not to Scale)

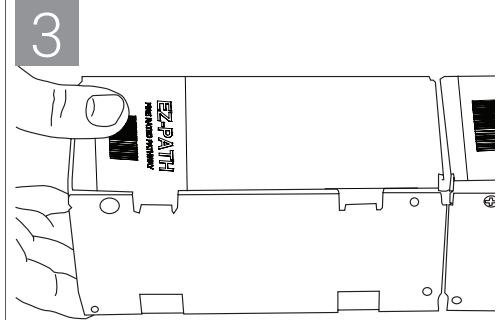
Option 1 - New Work Installations



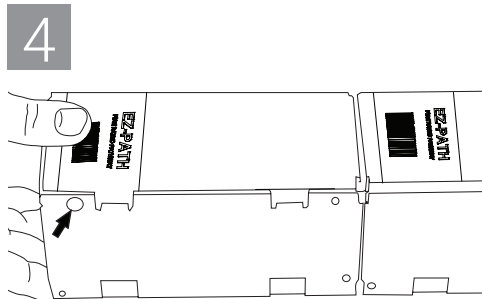
1
Tilt lid from extension channel and insert fixed lower coupler into pathway



2
Tilt extension upward until upper coupler is within pathway



3
Engage upper coupler to top flange on pathway by tilting extension lid downward



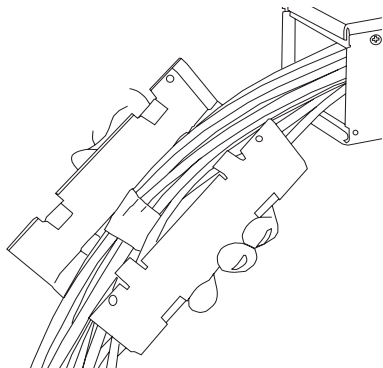
4
Secure closed lid to extension channel by installing and tightening the included screws.

Note: For more information on firestop installation, refer to ASTM E3157.



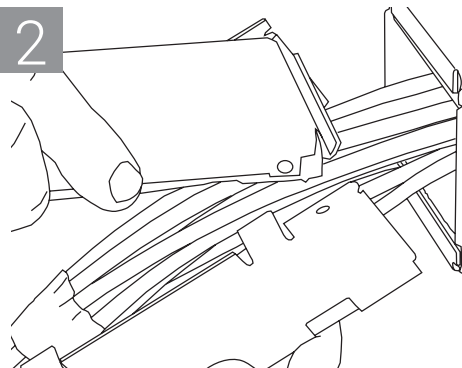
Option 2 - Old Work Installations (Cables Already Installed)

1



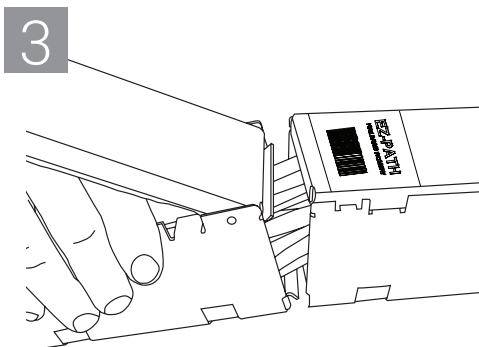
Remove lid and place extension channel around cable bundle

2



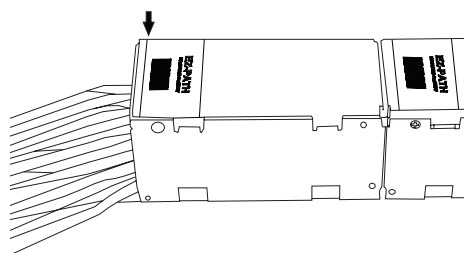
Snap lid onto extension channel

3



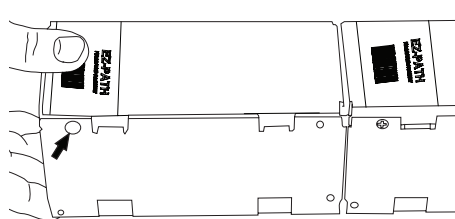
Insert bottom lip of extension channel into device

4



Close lid on extension channel

5



Secure closed lid to extension channel by installing and tightening the included screws

Note: For more information on firestop installation, refer to ASTM E3157.

