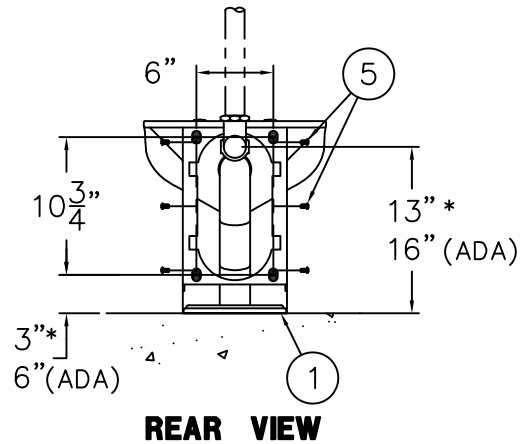
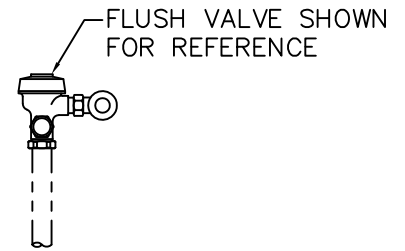


NOTE: USE ONLY APPROPRIATE UPC/CUPC CERTIFIED FLUSH VALVE FOR THE INSTALLATION OF THIS TOILET.



INSTALLATION INSTRUCTIONS:

A- ROUGH-IN FOR THE FOLLOWING:

- 7-1/2" RECESSED GASKET FLANGE (1).
- FIXTURE FLUSHING INLET 1-1/2" NPT (2).

B- POSITION MOUNTING TEMPLATE (3) ONTO FIXTURE SIDE OF REINFORCED WALL LOCATING AS INDICATED. WALL ANCHORS AND FASTENERS ARE BY OTHERS.

C- PLACE TOILET (4) UP AGAINST WALL. ATTACH TOILET HOUSING TO MOUNTING TEMPLATE (3) USING 1/4"-20 SCREWS (5).

D- REMOVE ACCESS PANELS (6) AND MAKE UP TOILET WASTE CONNECTION.

E- FOR OPTIONAL FLUSH VALVE: CONNECT FLUSH VALVE (7) AS REQUIRED FOR CONCEALED INSTALLATION PER MANUFACTURER'S RECOMMENDATIONS.

F- HOLE PLUGS (8) FOR WH-LRSC LIGATURE RESISTANT TOILET SEAT COVER.

NOTE: FOR -ADA UNITS REFER TO ADA ACCESSIBILITY GUIDELINES FOR COMPLETE INSTALLATION REQUIREMENTS. FOR UNITS WITH SUFFIX OPTION -ADA, ALL VERTICAL DIMENSIONS INDICATED * WILL INCREASE PROPORTIONALLY WITH ADA SEAT HEIGHT. FLUSH VALVE MUST BE HYDRAULICALLY ACTUATED. MAX CONTROL HEIGHT IS 36" ABOVE FINISHED FLOOR. ADA CONTROLS MUST BE LOCATED ON THE WIDE SIDE OF TOILET.



WHITEHALL MANUFACTURING
P.O. BOX 3527 Industry, CA 91744
15125 Proctor Ave Industry, CA 91746
(626) 968-6681 FAX (626) 855-4862

TITLE **LIGATURE RESISTANT TOILETS *WH2142-W-3_12/*WH2142-ADA-W-3_12**

MANUFACTURE DATE
OCTOBER 2012
TO PRESENT

DATE ISSUED
11/16/12
DATE REVISED
05/24/16 B

DRAWING NUMBER
9918-007-001