



Whitehall Ligature Resistant Corterra™ Basin ADA Compliant

Model WH3775



WH3775-WH3375L-SO

Fixture May Show Some Available Options

Ligature Resistant Corterra™ Basin

Ligature Resistant Corterra™ Basin is engineered to combine the look and feel of commercial grade designer basins and countertops with durability and economy in mind. Each standard height Washbasin complies with ANSI, UFAS, and ADA requirements. Compliance is subject to the interpretation and requirements of the local code authority.

Countertop and Basin Color furnished is Blanco (White). Basin includes ligature resistant side splashes, overflow, grid strainer, waste piping and 1-1/2" P-Trap.

Optional Valve is a pneumatically operated, pushbutton Air-Control valve using atmospheric air. Pushbuttons are vandal-resistant and require less than 5 pounds of force to activate valve. Valve is metering, non-hold open type. Valve timing range is adjustable from 5-60 seconds. Valve includes a 0.5 GPM flow control and can be remotely located up to 10 feet from the operating pushbutton. Valve and bubbler conform with lead-free requirements of NSF61, Section 9, 1997 and Public Law 111-380.

Optional Mixing Valve delivers tempered water flow by compensating for pressure and temperature fluctuations and is ASSE 1070 compliant. Valve is to be field set to 105° Fahrenheit and includes strainers and integral checks. Operating range is 30 PSI to 100 PSI.

Enclosure conceals P-trap and optional valve assembly and is fabricated from 18 gage, type 304 stainless steel includes an access panel and is powder coated white.

GUIDE SPECIFICATION

Ligature Resistant Corterra™ Washbasin. Unit with 34" standard rim height to conform with ANSI, UFAS and ADA Accessibility Standards. Provide integral "D" Shaped basin with an integral, rear overflow. Basin, countertop, backsplash and sidesplash to be constructed of Corterra™ solid surface polymer resin. P-Trap enclosure to be constructed of heavy gage, type 304 stainless steel and powder coated white.

FIXTURE CERTIFICATION

Corterra™ solid surface polymer fixture complies with IAPMO IGC 156, CSA B45 Series, ASME A112.18.1/CSA B125.1

MATERIAL CERTIFICATION

Material of construction, Corterra™ is flame spread and smoke developed rated "Class A" per the following standards:

- ASTM E84-10
- UL 723
- ANSI/NFPA No. 255
- UBC No. 8-1

Material also complies with Canadian requirements CAN/ULC-S102 for flame spread and smoke developed.

Material of Construction's physical properties in compliance with:

- CSA B45.5/IAPMO Z124
- ANSI/ICPA SS-1

Please visit www.whitehallmfg.com for most current specifications.



Member of
 U.S. Green
 Building
 Council



Recyclable
 Product



Water
 Conserving
 Product



Federal
 Public Law
 111-308
 (No Lead)





MODEL NUMBER AND OPTIONS SELECTION:

BASE MODEL NUMBER

WH3775 Ligature Resistant Corterra™ Washbasin

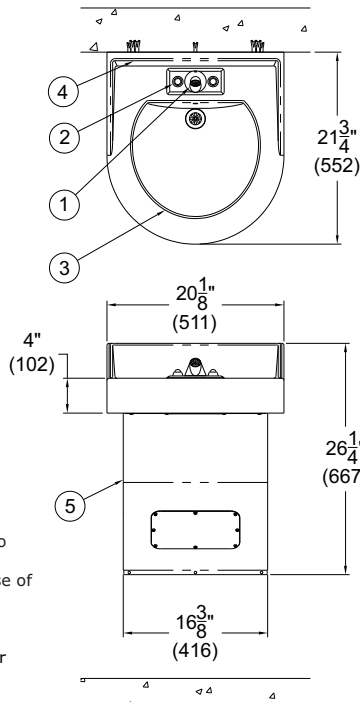
VALVE SELECTION (Must Specify)

- WH3373L Air-Control, Single Temp, Metering Conical Sprayhead & Pushbuttons
- WH3373L-PPZ Electronic Valve w/ Piezo Button, Single Temp
- WH3373L-WSF-SO Sensor Operated, Electronic Valve, Single Temp
- WH3374L Air-Control, H & C, Metering w/ Conical Sprayhead & Pushbuttons
- WH3374L-PPZ Electronic Valve w/ Piezo Buttons, H&C
- WH3375L-SO Sensor Operated Spout, Electronic Valve, Single Temp
- WH3375L-SO-BAT Battery Powered, Sensor Operated Spout, Electronic Valve, Single Temp
- WH3376L Air-Control, Single Temp, Metering Conical Sprayhead w/ 0.35 GPM Flow Control & Pushbutton
- WH3376L-PPZ Electronic Valve w/ Piezo Button, Single Temp. Conical Sprayhead w/ 0.35 GPM Flow Control
- WH3377L Air-Control, H & C, Metering Conical Sprayhead w/ 0.35 GPM Flow Control & Pushbuttons
- WH3377L-PPZ Electronic Valve w/ Piezo Buttons, H&C Conical Sprayhead w/ 0.35 GPM Flow Control
- 09 Punched for Valve by Others (-H34 Three 1-5/16" Diameter Holes 4" Centerset)

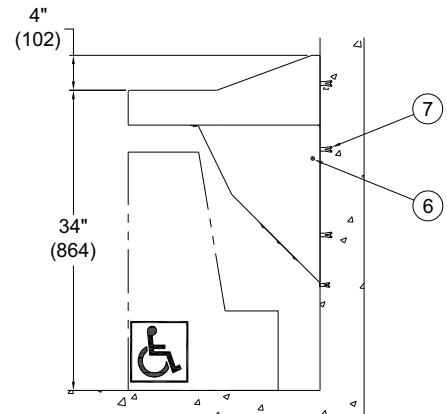
PRODUCT OPTIONS (Must Specify)

- BAT Battery Powered
- MXTP Temperature-Pressure Balancing Mixing Valve (ASSE 1070 Compliant)
- OCC Optional Corterra™ Color - Specify _____

See Individual Spec Sheets: WH3373, WH3373-PPZ, WH3373-WSF-SO, WH3374, WH3374-PPZ, WH3375-SO, Wh3376, WH3376-PPZ, WH3377 & WH3377-PPZ for additional information.



- Notes
1. Conical Sprayhead
 2. Hemispherical Pushbutton
 3. D-Shaped Bowl
 4. Back/Side Splash
 5. Ligature Resistant Bottom Enclosure with Access Panel
 6. Tamper Resistant Screws
 7. Wall Anchoring Hardware (By Others)



All dimensions are nominal and subject to manufacturer's change without notice. Whitehall assumes no responsibility for use of void or superseded data © Whitehall Manufacturing, Member of Morris Group International. Please visit www.whitehallmfg.com for most current specifications.

MODEL# WH3775-WH3374L

⚠ WARNING: Cancer and Reproductive Harm - www.P65Warnings.ca.gov

DISCLAIMER:

This product is designed to decrease the probability that it may be utilized as an apparatus for ligature. It is not a replacement for professionals who are trained in the proper evaluation, management and supervision of persons at risk of suicide.

SELECTION SUMMARY & APPROVAL FOR MANUFACTURING

Model Number & Options _____ Quantity _____
 Company _____ Date _____
 Contact _____ Title _____
 Approval for Manufacturing/Signature _____