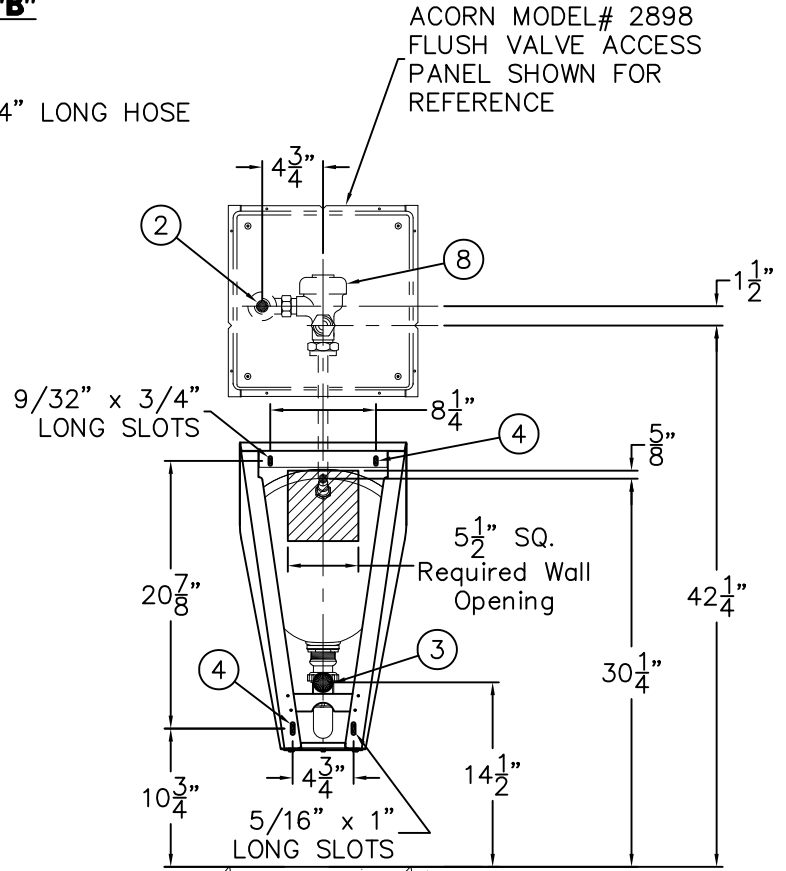
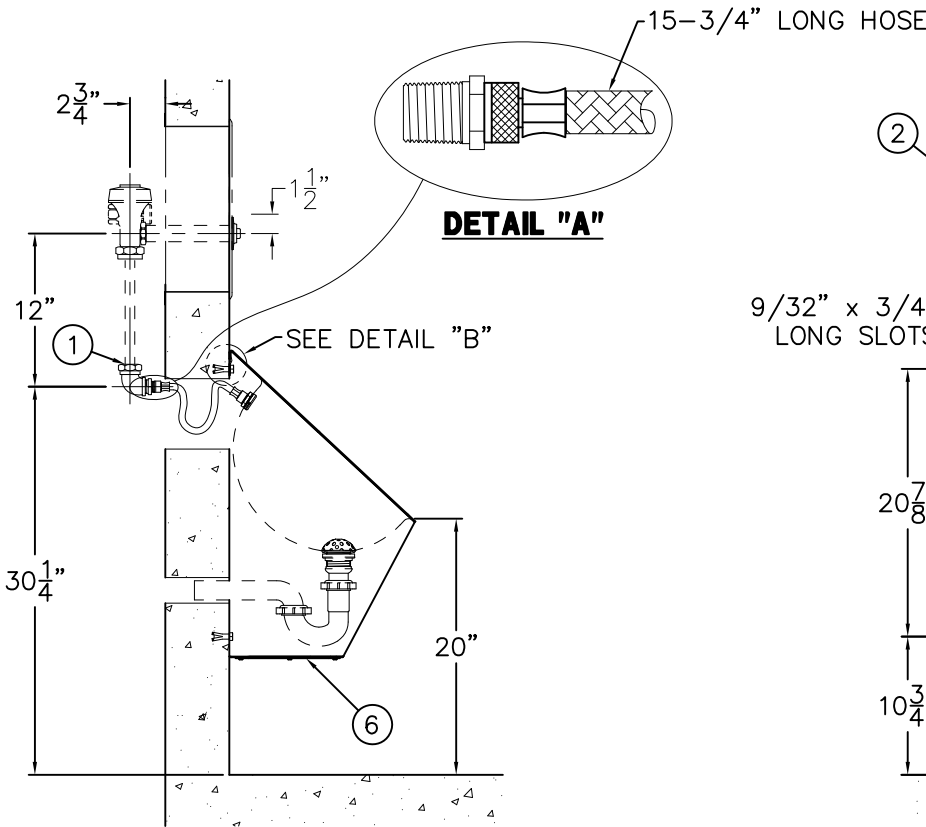


REPAIR PARTS

WASTE ASSEMBLIES 9985-103-W02



REAR VIEW

INSTALLATION INSTRUCTIONS:

A- ROUGH-IN FOR THE FOLLOWING:

- 3/4" NPT FOR FLUSHING INLET (1). (3/4" x 1/2" NPT MALE ADAPTER AND FLEXIBLE HOSE PROVIDED).
- 3/4" NPT FLUSH VALVE INLET (2) FOR FLUSH VALVE PROVIDED BY OTHERS.
- WASTE OUTLET 1-1/2" SLIP JOINT (3).
- MOUNTING POINTS (4) AS SHOWN FOR ANCHORING HARDWARE BY OTHERS (5).

B- REMOVE BOTTOM ACCESS PANEL (6).

C- ANCHOR S-CLIP (7) TO WALL WITH ANCHORING HARDWARE BY OTHERS (5). PLACE URINAL AGAINST WALL ABOVE S-CLIP AND SLIDE HOUSING DOWN TO ENGAGE S-CLIP (7). SECURE LOWER WALL ANCHORS (5) BY OTHERS.

NOTE: USE ONLY APPROPRIATE UPC/cUPC CERTIFIED FLUSH VALVE FOR THE INSTALLATION OF THIS URINAL.

D- MAKE UP WASTE CONNECTION (3).

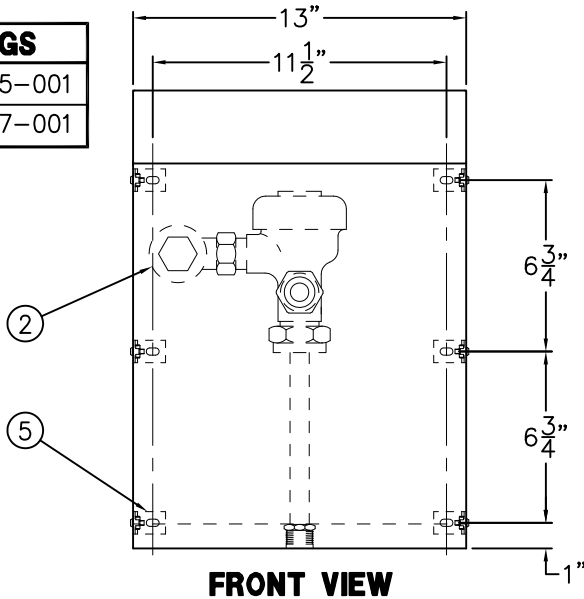
E- CONNECT FLUSH VALVE AS REQUIRED FOR CONCEALED (8) INSTALLATION PER MANUFACTURERS' RECOMMENDATIONS. WALL SUPPLY FLUSH VALVE, ACCESS FOR CONNECTION AND SERVICING FLUSH VALVE IS REQUIRED.

F- REPLACE BOTTOM ACCESS PANEL (6).

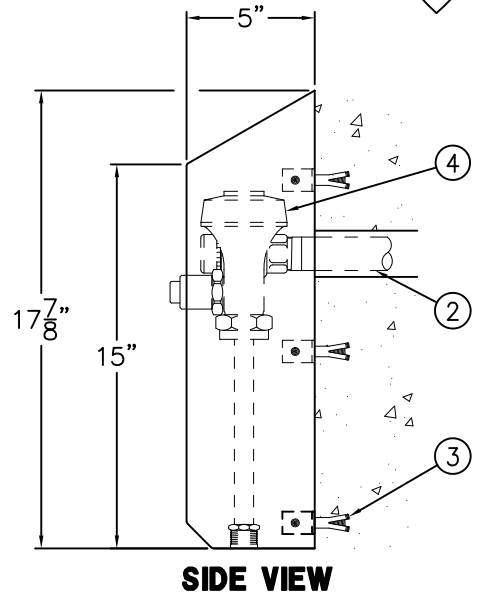
	WHITEHALL MANUFACTURING P.O. BOX 3527 Industry, CA 91744 15125 Proctor Ave Industry, CA 91746 (626) 968-6681 FAX (626) 855-4862		TITLE LIGATURE RESISTANT HIGH EFFICIENCY URINAL, #2158W-SLPT	
	MANUFACTURE DATE OCTOBER 2012 TO PRESENT		DATE ISSUED 10/09/12	
	DRAWING NUMBER 9918-011-001		DATE REVISED 10/22/13 C	



REFERENCE DRAWINGS	
SECURITY SCREWS	9951-005-001
TINNERMAN NUTS	9951-007-001



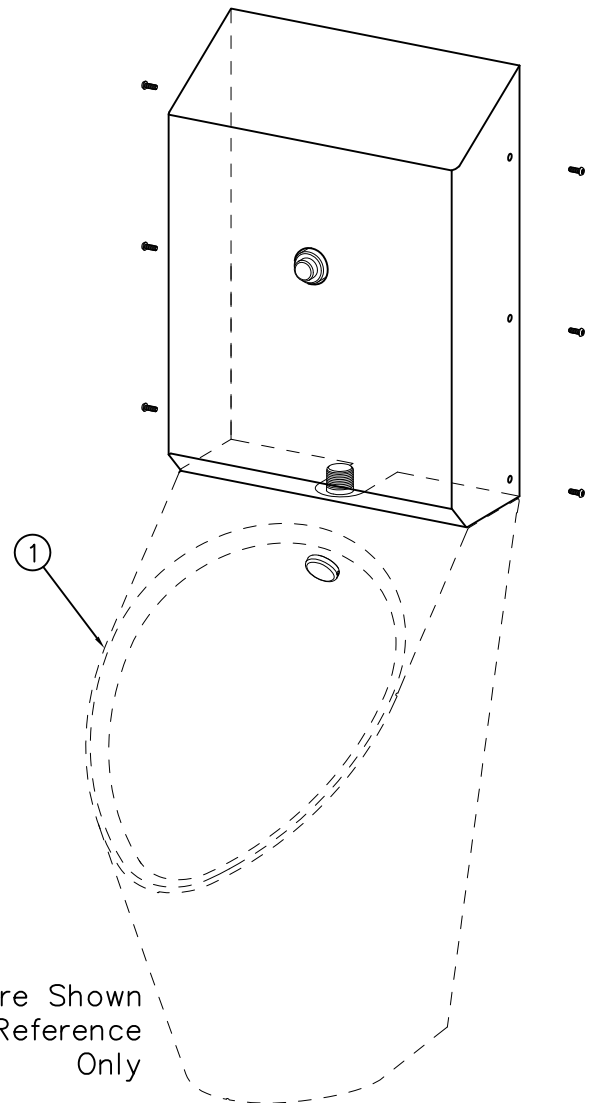
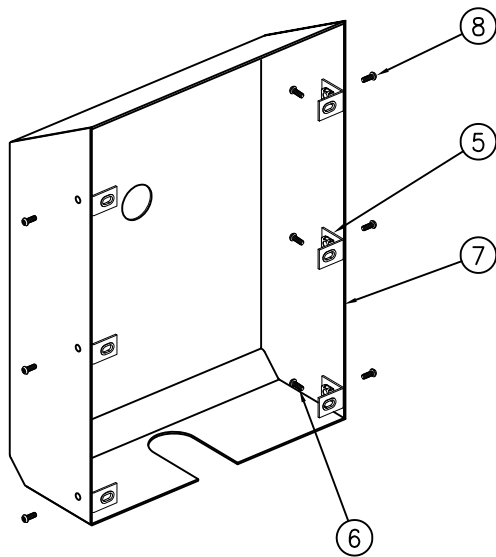
FRONT VIEW



SIDE VIEW

NOTE:

FLUSH VALVE COVER FOR MODELS 2158-T & 1709HEU ONLY



INSTALLATION INSTRUCTIONS:

- A- MOUNT FIXTURE ① TO WALL.
- B- ROUGH-IN FOR FLUSH VALVE SUPPLY ② REFER TO FIXTURE INSTALLATION INSTRUCTIONS.
- C- LOCATE AND INSTALL WALL ANCHORS (BY OTHERS) ③.
- D- INSTALL FLUSH VALVE ④ TO FIXTURE ①.
- E- ATTACH MOUNTING CLIPS ⑤ TO WALL USING MOUNTING SCREWS ⑥ (BY OTHERS).
- F- ATTACH FLUSH VALVE COVER ⑦ TO MOUNTING CLIPS ⑤ USING #10-32 SCREWS ⑧ PROVIDED.

Fixture Shown For Reference Only



WHITEHALL MANUFACTURING
P.O. BOX 3527 Industry, CA 91744
15125 Proctor Ave Industry, CA 91746
(626) 968-6681 FAX (626) 855-4862

TITLE **URINAL SLOPING TOP FLUSH VALVE COVER w/ FLUSH VALVE #2802SLPT**

MANUFACTURE DATE
**OCTOBER 2012
TO PRESENT**

DATE ISSUED
10/09/12
DATE REVISED

DRAWING NUMBER
9908-393-W01