



# Xitanium LED Driver Outdoor Dimmable (US)

## XITANIUM 150W 0.70A 210V 0-10V 347-480V

Xitanium Outdoor LED Drivers are available in wattages from 40W to 150W for hard-wire integration into outdoor luminaires for the most rugged applications. These drivers operate to specification under wide temperature and electrical ranges to ensure reliability. 1-10V dimming enables luminaires to be easily connected to a wide variety of sensors and control systems to facilitate dimming, thus maximizing energy savings.

### Product data

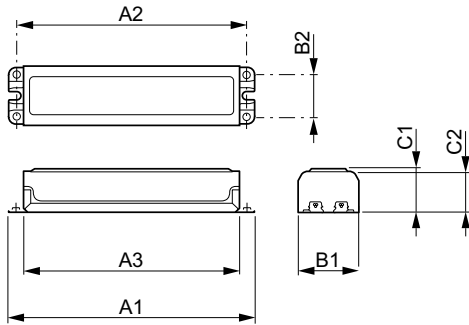
Operating and Electrical		Output Wire Length	
Input Frequency	50 to 60 Hz	Output Wire Length	270.0 mm
Total Harmonic Distortion IEC (Max)	20 %	Temperature	
Power Factor 100% Load (Min)	0.95	T-Case Maximum (Max)	80 °C
Output Current (Nom)	700 mA	Controls and Dimming	
Output Current Tolerance (Max)	5 %	Control Interface	0-10V
Output Current Tolerance (Min)	-5 %	Dimming Range	100-10 %
Input Voltage (AC)	347-480 V	Approval and Application	
Input Current (Operating) (Max)	500 mA	Approbation Marks	RoHS compliance UL certificate CSA certificate
Input Power (Nom)	167 W	Output Insulation	Yes
Output Power (Nom)	150 W	Product Data	
Output Voltage	60-210 V	Order product name	XITANIUM 150W 0.70A 210V 0-10V 347-480V
Wiring		EAN/UPC - Product	781087137505
Control Wire Length	270.0 mm		

## Xitanium LED Driver Outdoor Dimmable (US)

Order code	929000724813
Numerator - Quantity Per Pack	1
Numerator - Packs per outer box	10
Material Nr. (12NC)	929000724813

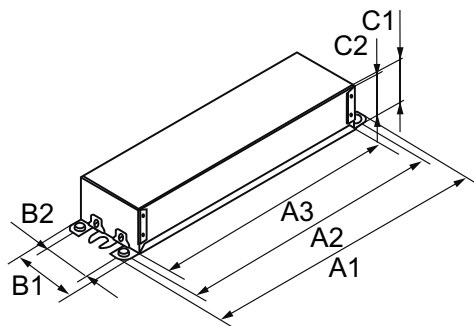
Net Weight (Piece)	1.257 kg
--------------------	----------

### Dimensional drawing



Xitanium 150W 0.70A 210V 0-10V 347-480V

Product	D1	B2	C1	C2	A1	A2	B1
XITANIUM 150W	4.8	42.9	39.7	37.7	240.5	241.5	59.1
0.70A 210V 0-10V	mm	mm	mm	mm	mm	mm	mm
347-480V							



Xitanium 150W 0.70A 210V 0-10V 347-480V

Product	D1	B2	C1	C2	A1	A2	B1
XITANIUM 150W	4.8	42.9	39.7	37.7	240.5	241.5	59.1
0.70A 210V 0-10V	mm	mm	mm	mm	mm	mm	mm
347-480V							

