



# Xitanium LED Driver Outdoor Dimmable (US)

## kITANIUM 150W 0.53A 280V 0-10V 347-480V

Xitanium Outdoor LED Drivers are available in wattages from 40W to 150W for hard-wire integration into outdoor luminaires for the most rugged applications. These drivers operate to specification under wide temperature and electrical ranges to ensure reliability. 1-10V dimming enables luminaires to be easily connected to a wide variety of sensors and control systems to facilitate dimming, thus maximizing energy savings.

### Product data

Operating and Electrical		Primary Fusing	
Input Frequency	50 to 60 Hz	Primary Fusing	Fused
Total Harmonic Distortion IEC (Max)	20 %	Secondary Fusing	None Required
Maximum Efficiency	90 %	Input Wire Gauge	18
Power Factor 100% Load (Min)	0.95	Control Wire Gauge	18
Output Current (Nom)	530 mA	Output Wire Gauge	18
Output Current Tolerance (Max)	5 %	<b>Temperature</b>	
Output Current Tolerance (Min)	-5 %	T-Case Maximum (Max)	80 °C
Input Voltage (AC)	347-480 V	<b>Controls and Dimming</b>	
Input Current (Operating) (Max)	500 mA	Control Interface	0-10V
Input Power (Nom)	167 W	Dimming Range	100-10 %
Output Power (Nom)	150 W	<b>Approval and Application</b>	
<b>Wiring</b>		Overheating Protection	Protected
Control Wire Length	270.0 mm	Short Circuit Protection	Self-limited
Output Wire Length	270.0 mm		

## Xtanium LED Driver Outdoor Dimmable (US)

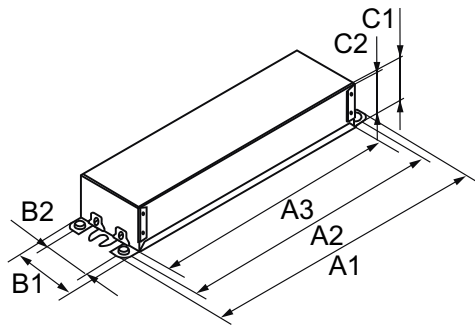
Over Power Protection	Protected
Open Circuit Protection	Protected
EMI Standard	FCC 47 part 15; Class A
Environmental Standard	UL Damp & Dry
Approbation Marks	RoHS compliance UL certificate CSA certificate
Output Insulation	Yes

### Product Data

Order product name	KITANIUM 150W 0.53A 280V 0-10V 347-480V
--------------------	---

EAN/UPC - Product	781087137482
Order code	929000724713
Numerator - Quantity Per Pack	1
Numerator - Packs per outer box	10
Material Nr. (12NC)	929000724713
Net Weight (Piece)	1.257 kg

### Dimensional drawing



Xitanium 150W 0.53A 280V 0-10V 347-480V

Product	D1	B2	C1	C2	A1	A2	B1
XITANIUM 150W	4.8	42.9	39.7	37.7	240.5	241.5	59.1
0.53A 280V 0-10V	mm	mm	mm	mm	mm	mm	mm
347-480V							

