



Service Parts List

Click on the model being serviced

[DraftShield](#)

AX124	AX124M	AX224N	AX124/E
AX224	AX224M		AX224/E
AX324	AX324M		

AX223	AX223M	AX423N
AX423	AX423M	
AX523	AX523M	

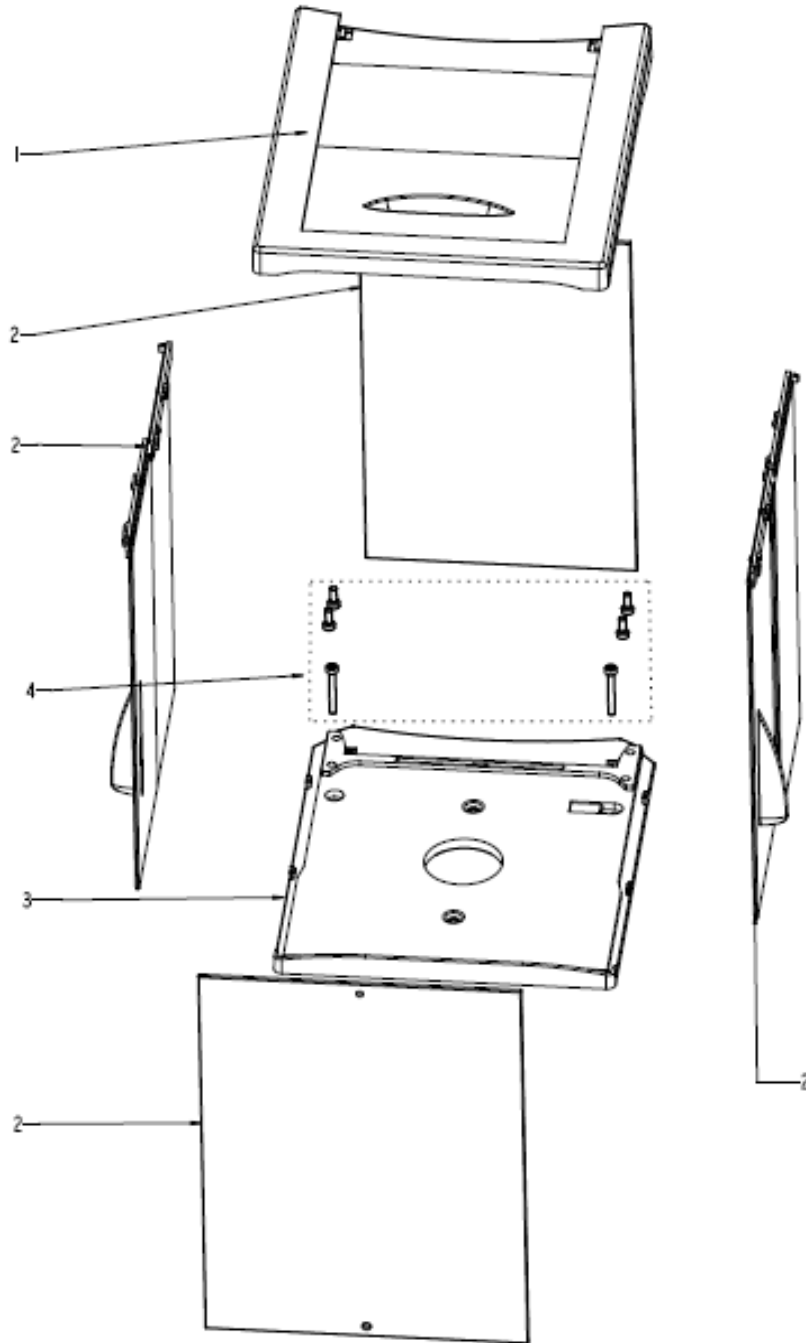
AX223/E	AX223N/E
AX423/E	AX423N/E
AX523/E	AX523N/E

AX622	
AX1502	AX1502M
AX2202	AX2202M
AX4202	AX4202M
AX4201	

AX622/E	AX622N/E
AX1502/E	AX1502N/E
AX2202/E	AX2202N/E
AX4202/E	AX4202N/E
AX4201/E	

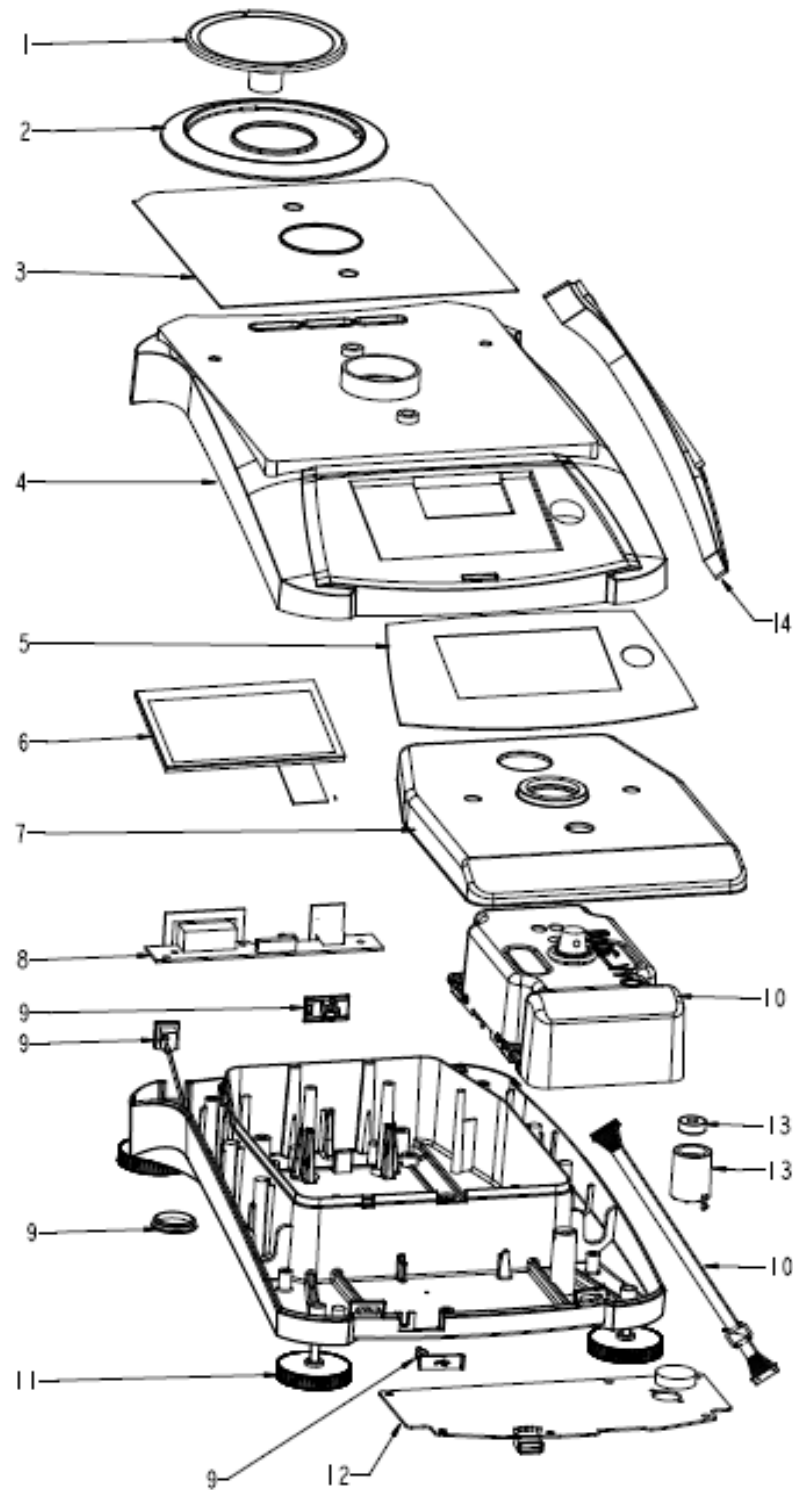
AX8201/E	AX8201N/E
--------------------------	---------------------------

AX5202	AX5202M
AX8201	AX8201M



Part numbers are subject to change without notice.

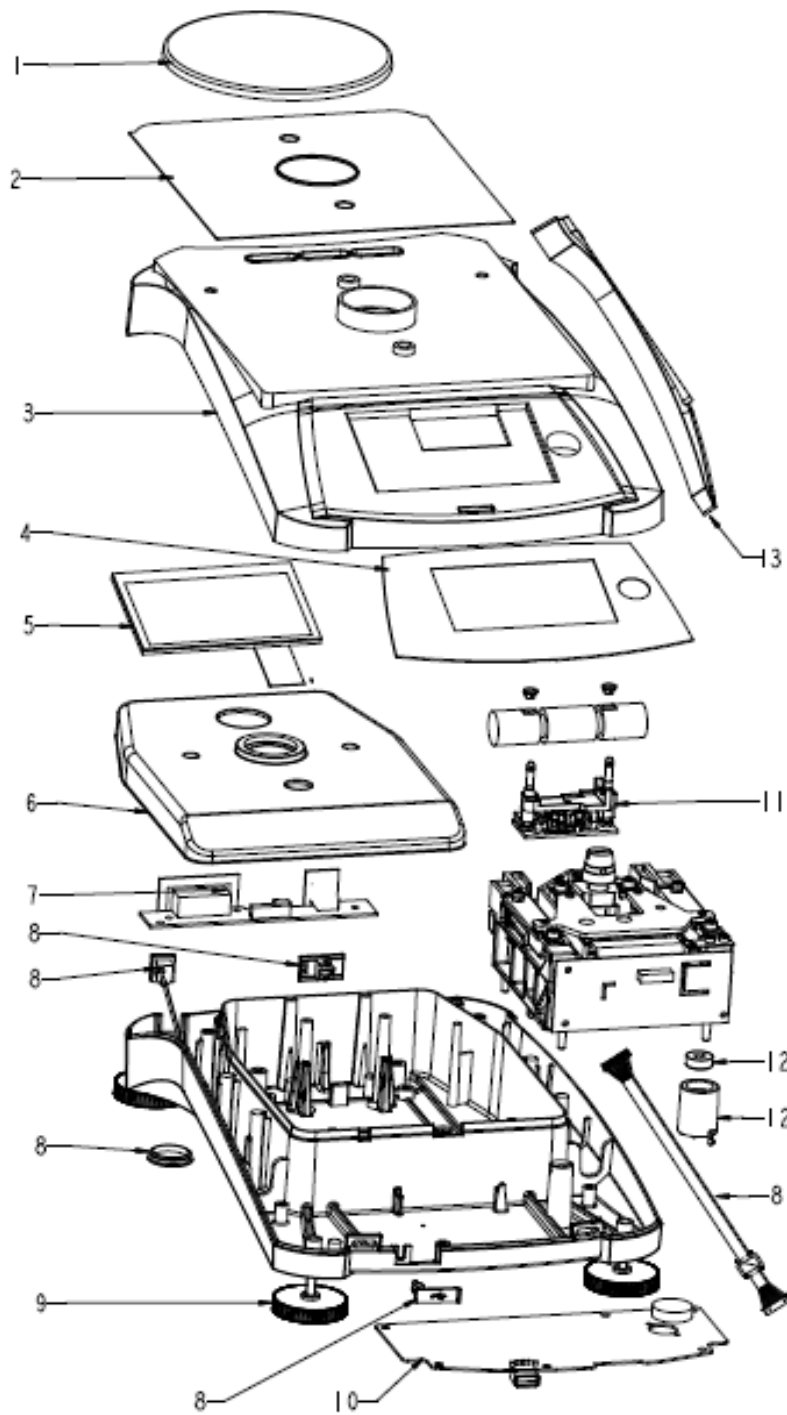
<u>Drawing Item</u>	<u>Part Number</u>	<u>Description</u>
1	30111789	SP Assembly Top Frame, AX
2	30111786	SP Glasses Kit, AX
3	30111788	SP Plate Bottom, AX
4	30111782	SP Hardware Kit, AX



Part numbers are subject to change without notice.

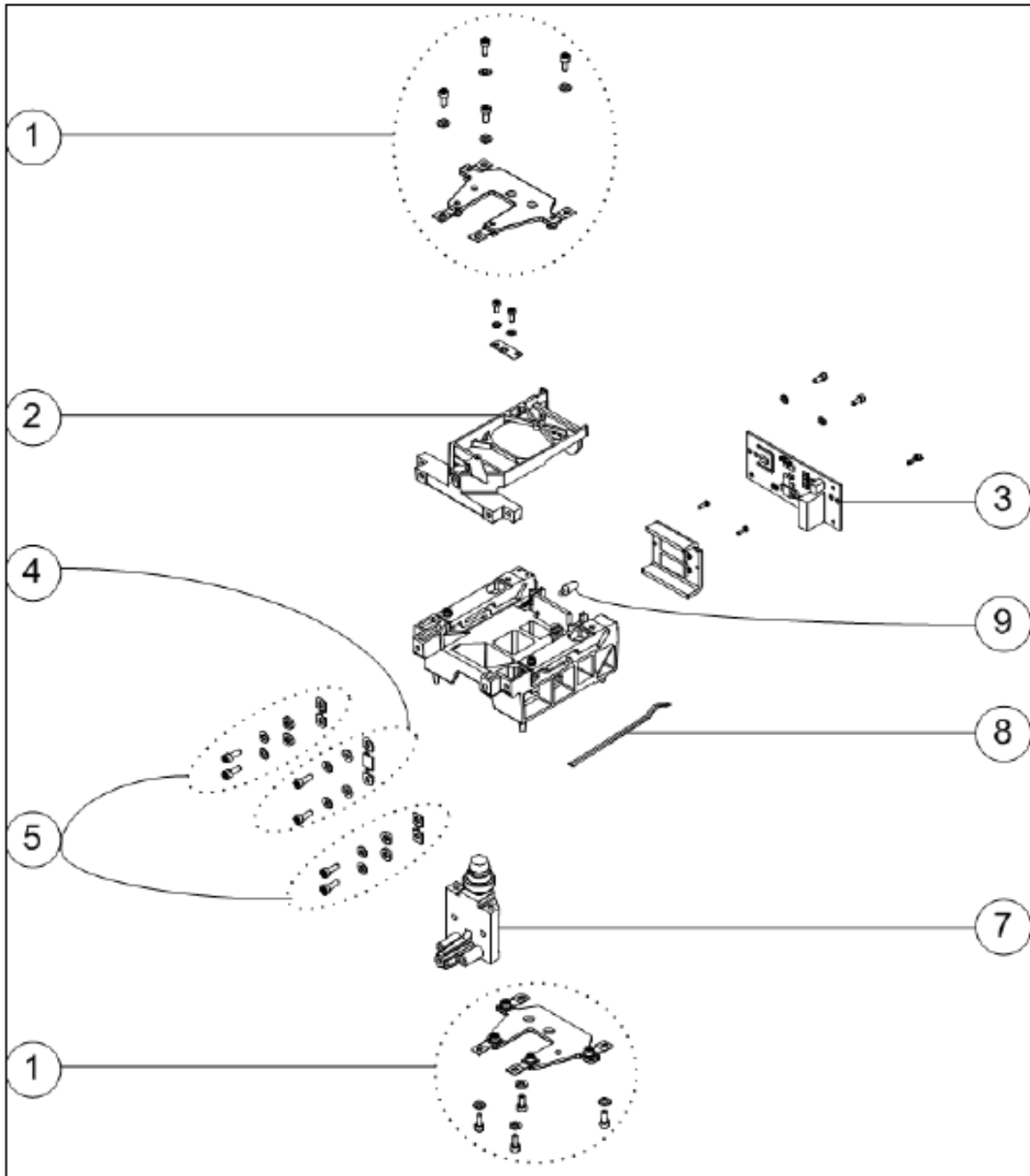
Drawing Item	Part Number	Description
1	83033640	Pan Assy, 90mm EX
2	83033645	Wind ring, 90mm
3	30111787	SP Plate EMC DS, AX
4	30111774	SP Housing Top DS, AX
5	30111768	SP Keypad EN, AX
5	30111769	SP Keypad CN, AX
5	30111770	SP Keypad JP, AX
5	30111771	SP Keypad RU, AX
5	30111803	SP Keypad GRAIN, AX
6	30111772	SP LCD 4.3-with-cable-TP, AX
6	30111773	SP LCD 4.3-with-cable-TP JP, AX
7	30111778	SP Shield LC Ferrite, AX
8	30111780	SP PCBA RS, AX
9	30111783	SP Cable kit, AX
10	30111796	SP Load Cell NMBAI0100G4-7C, AX124, AX124/E
10	30111801	SP Load Cell LMBAI0200G4-3C, AX224, AX224/E
10	30111802	SP Load Cell OMBAI0400G4-2C, AX324
11	30111785	SP feet 4pcs kit, AX
12	30111779	SP PCBA Main, AX
13	30111776	SP Bubble Kit, AX
14	30111792	SP In User-Cover DS, AX

Part numbers are subject to change without notice.



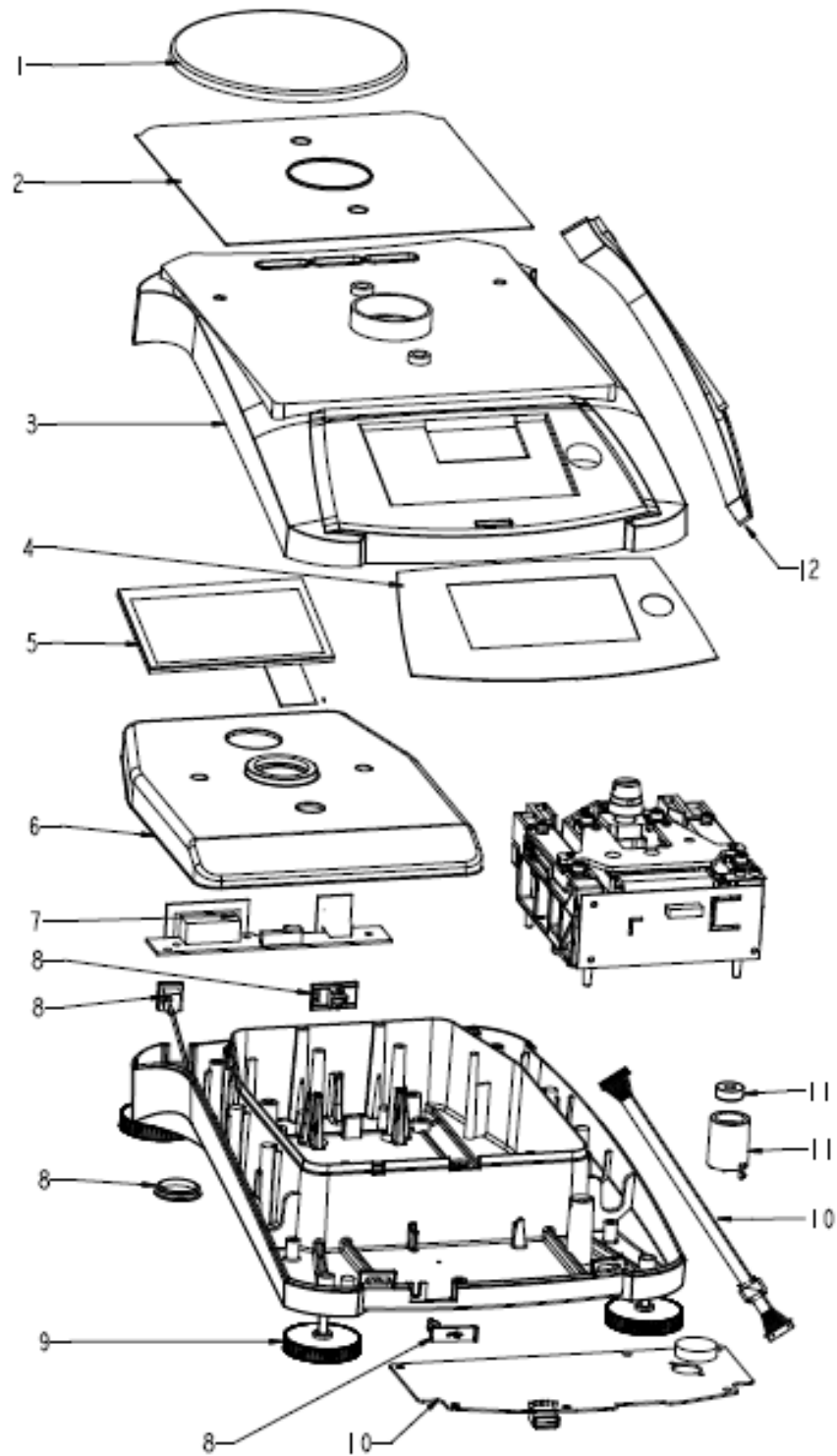
Part numbers are subject to change without notice.

<u>Drawing Item</u>	<u>Part Number</u>	<u>Description</u>
1	30111793	SP Assembly Pan 130mm, AX
2	30111787	SP Plate EMC DS, AX
3	30111774	SP Housing Top DS, AX
4	30111768	SP Keypad EN, AX
4	30111769	SP Keypad CN, AX
4	30111770	SP Keypad JP, AX
4	30111771	SP Keypad RU, AX
4	30111803	SP Keypad GRAIN, AX
5	30111772	SP LCD 4.3-with-cable-TP, AX
5	30111773	SP LCD 4.3-with-cable-TP JP, AX
6	30111778	SP Shield LC Ferrite, AX
7	30111780	SP PCBA RS, AX
8	30111783	SP Cable kit, AX
9	30111785	SP feet 4pcs kit, AX
10	30111779	SP PCBA Main, AX
11	30042879	IntCal drive with cable IntCal drive (without weights)
12	30111776	SP Bubble Kit, AX
13	30111792	SP In User-Cover DS, AX



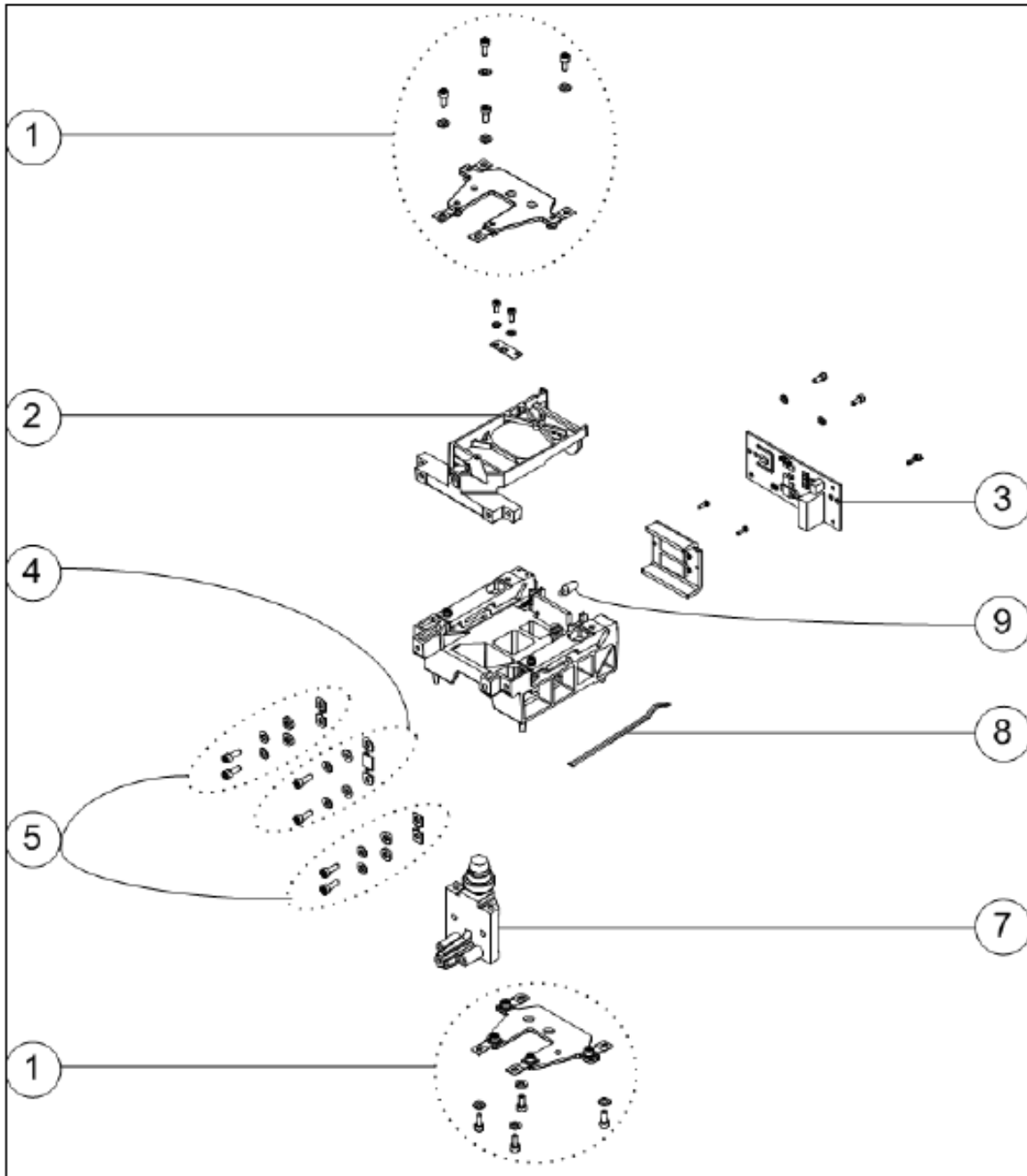
Part numbers are subject to change without notice.

<u>Drawing Item</u>	<u>Part Number</u>	<u>Description</u>
1	83020829	SP Flexure Arm Assembly Pre PA, AX
2	12105331	Ratio Beam w/Coil, ARxx3x, ARR70, AX 3 Decimal
3	30111804	SP, PCBA, Alli-LC, AX Precision
4	12123458	SP Copper 4kg linker flex kit
5	12123455	SP copper ratio flexure 400g
7	12105333	Beam, ARxx3x, ARR70, AX 3 Decimal
8	12105362	Cable, Coil, Ribbon, Adv, PA, AX
9	12105335	Light source, Position Sensor, Adv,PA, AX



Part numbers are subject to change without notice.

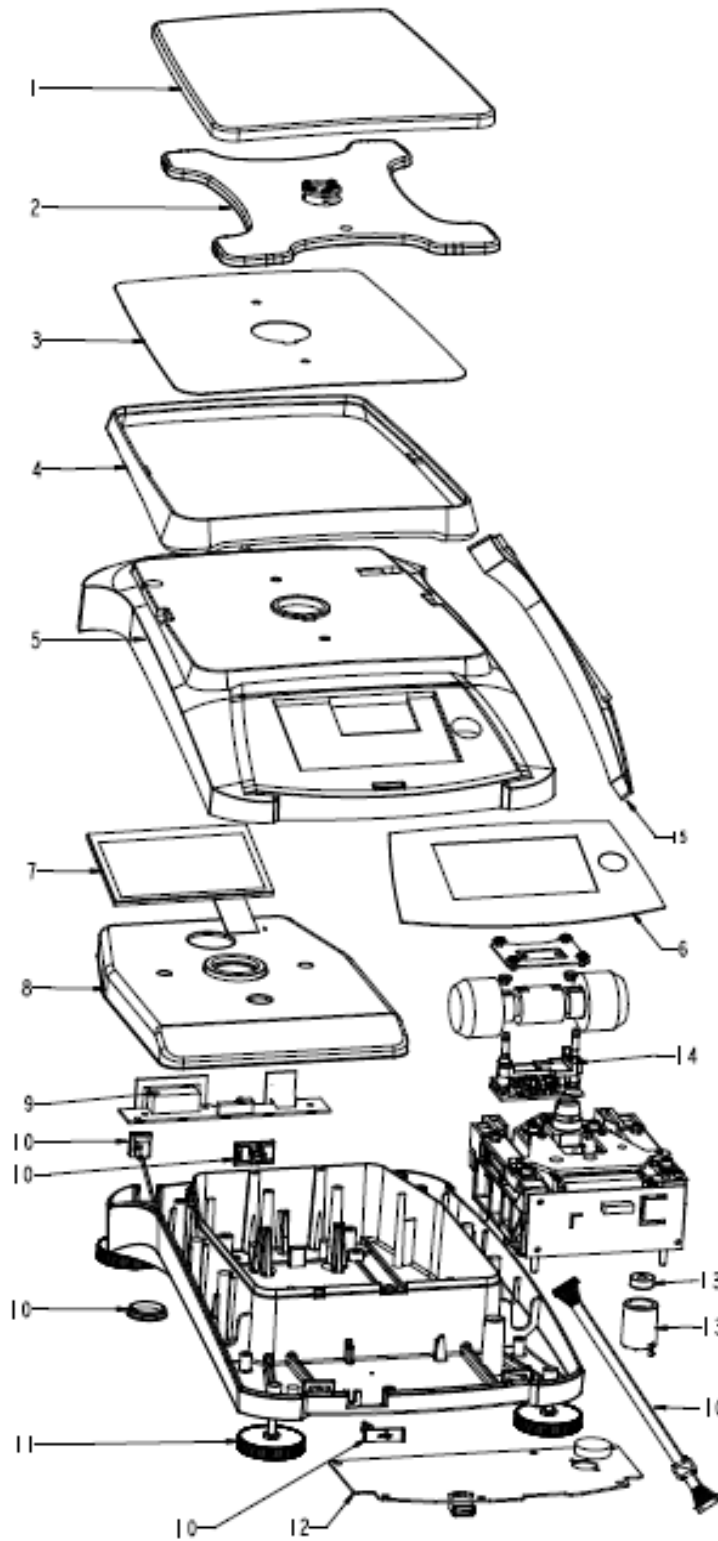
<u>Drawing Item</u>	<u>Part Number</u>	<u>Description</u>
1	30111793	SP Assembly Pan 130mm, AX
2	30111787	SP Plate EMC DS, AX
3	30111774	SP Housing Top DS, AX
4	30111768	SP Keypad EN, AX
4	30111769	SP Keypad CN, AX
4	30111770	SP Keypad JP, AX
4	30111771	SP Keypad RU, AX
4	30111803	SP Keypad GRAIN, AX
5	30111772	SP LCD 4.3-with-cable-TP, AX
5	30111773	SP LCD 4.3-with-cable-TP JP, AX
6	30111778	SP Shield LC Ferrite, AX
7	30111780	SP PCBA RS, AX
8	30111783	SP Cable kit, AX
9	30111785	SP feet 4pcs kit, AX
10	30111779	SP PCBA Main, AX
11	30111776	SP Bubble Kit, AX
12	30111792	SP In User-Cover DS, AX



Part numbers are subject to change without notice.

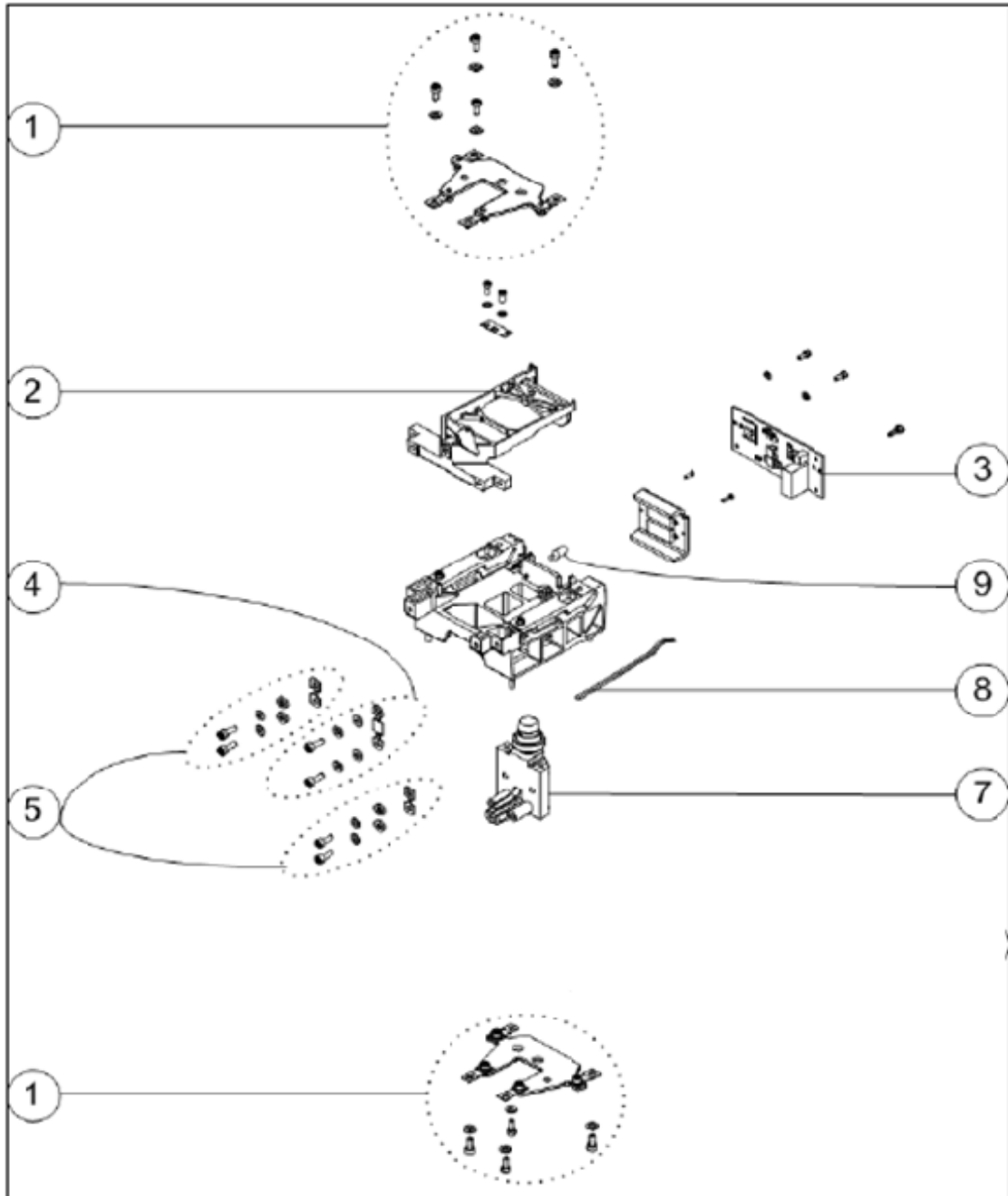
<u>Drawing Item</u>	<u>Part Number</u>	<u>Description</u>
1	83020829	SP Flexure Arm Assembly Pre PA, AX
2	12105331	Ratio Beam w/Coil, ARxx3x, ARRV70, AX 3 Decimal
3	30111804	SP, PCBA, Alli-LC, AX Precision
4	12123458	SP Copper 4kg linker flex kit
5	12123455	SP copper ratio flexure 400g
7	12105333	Beam, ARxx3x, ARRV70, AX 3 Decimal
8	12105362	Cable, Coil, Ribbon, Adv, PA, AX
9	12105335	Light source, Position Sensor, Adv,PA, AX

Part numbers are subject to change without notice.



Part numbers are subject to change without notice.

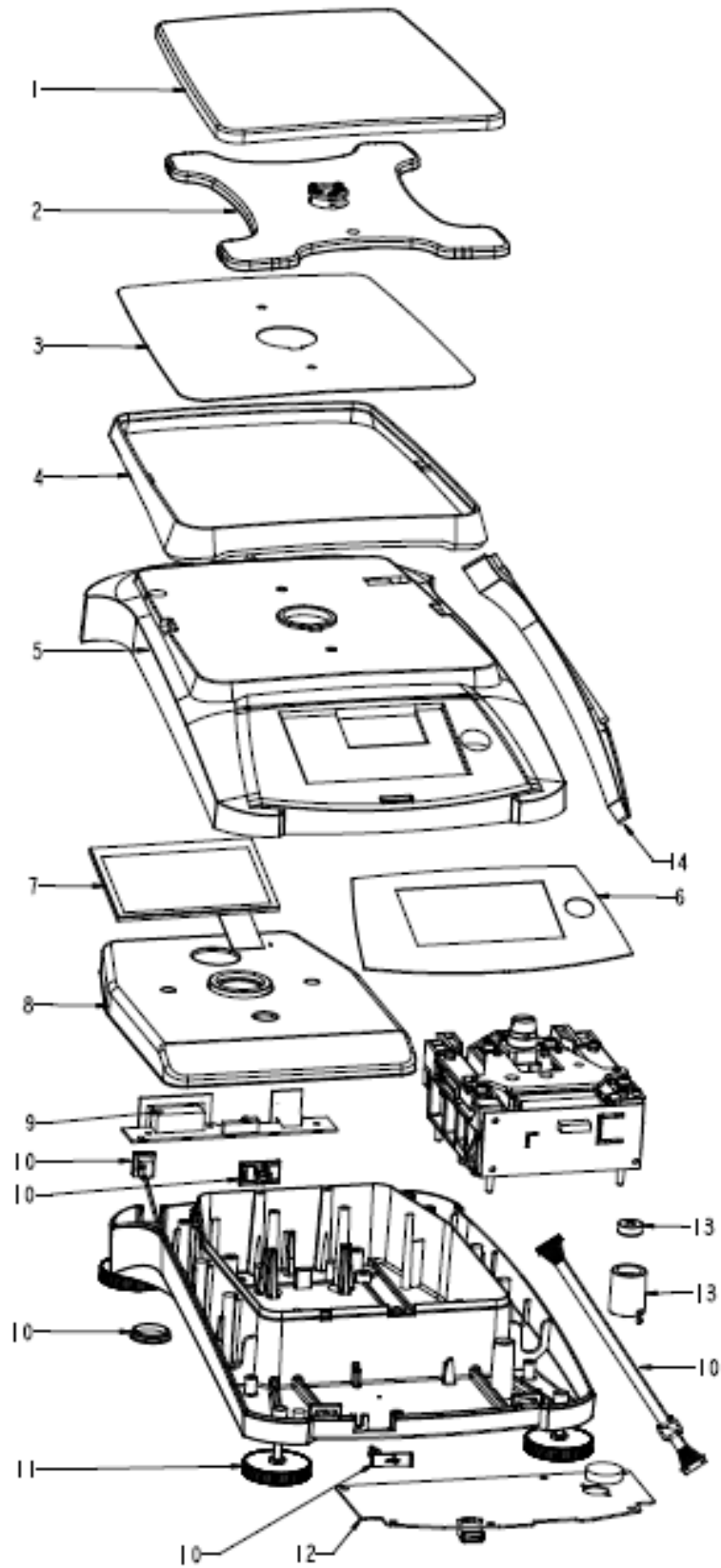
<u>Drawing Item</u>	<u>Part Number</u>	<u>Description</u>
1	30111765	SP Pan Trapezoid, AX
2	30111766	SP Pan Support kit Trapezoid, AX
3	30111767	SP Plate EMC W/O DS, AX
4	30111795	SP Wind-Ring W/O-DS, AX
5	30111775	SP Housing Top W/O DS, AX
6	30111768	SP Keypad EN, AX
6	30111769	SP Keypad CN, AX
6	30111770	SP Keypad JP, AX
6	30111771	SP Keypad RU, AX
6	30111803	SP Keypad GRAIN, AX
7	30111772	SP LCD 4.3-with-cable-TP, AX
7	30111773	SP LCD 4.3-with-cable-TP JP, AX
8	30111778	SP Shield LC Ferrite, AX
9	30111780	SP PCBA RS, AX
10	30111783	SP Cable kit, AX
11	30111785	SP feet 4pcs kit, AX
12	30111779	SP PCBA Main, AX
13	30111776	SP Bubble Kit, AX
14	30042879	IntCal drive with cable IntCal drive (without weights)
15	30111777	SP In User-Cover WO DS, AX



Part numbers are subject to change without notice.

Drawing Item	Part Number	Description
1	83020829	SP Flexure Arm Assembly Pre PA, AX
2	12105332	Ratio Beam, 400G Loadcell, Adv, PA, AX 2 & 1 Decimal
3	30111804	SP, PCBA, Alli-LC, AX Precision
4	12123458	SP Copper 4kg linker flex kit
5	12123456	SP Copper 4kg ratio flex kit
7	12105334	Beam, 4KG Loadcell, Adv, PA, AX 2 & 1 Decimal
8	12105362	Cable, Coil, Ribbon, Adv, PA, AX
9	12105335	Light source, Position Sensor, Adv,PA, AX

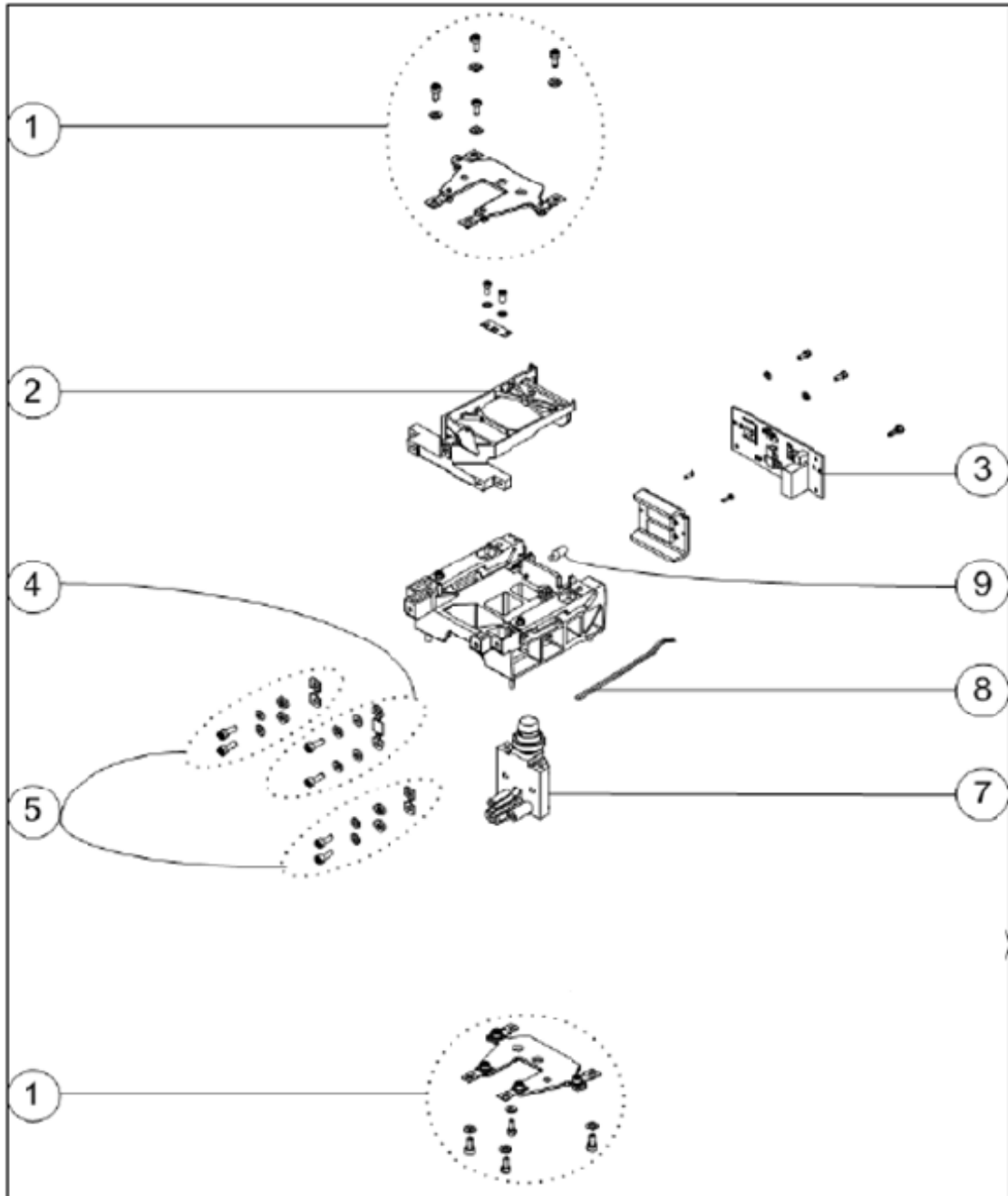
Part numbers are subject to change without notice.



Part numbers are subject to change without notice.

<u>Drawing Item</u>	<u>Part Number</u>	<u>Description</u>
1	30111765	SP Pan Trapezoid, AX
2	30111766	SP Pan Support kit Trapezoid, AX
3	30111767	SP Plate EMC W/O DS, AX
4	30111795	SP Wind-Ring W/O-DS, AX
5	30111775	SP Housing Top W/O DS, AX
6	30111768	SP Keypad EN, AX
6	30111769	SP Keypad CN, AX
6	30111770	SP Keypad JP, AX
6	30111771	SP Keypad RU, AX
6	30111803	SP Keypad GRAIN, AX
7	30111772	SP LCD 4.3-with-cable-TP, AX
7	30111773	SP LCD 4.3-with-cable-TP JP, AX
8	30111778	SP Shield LC Ferrite, AX
9	30111780	SP PCBA RS, AX
10	30111783	SP Cable kit, AX
11	30111785	SP feet 4pcs kit, AX
12	30111779	SP PCBA Main, AX
13	30111776	SP Bubble Kit, AX
14	30111777	SP In User-Cover WO DS, AX

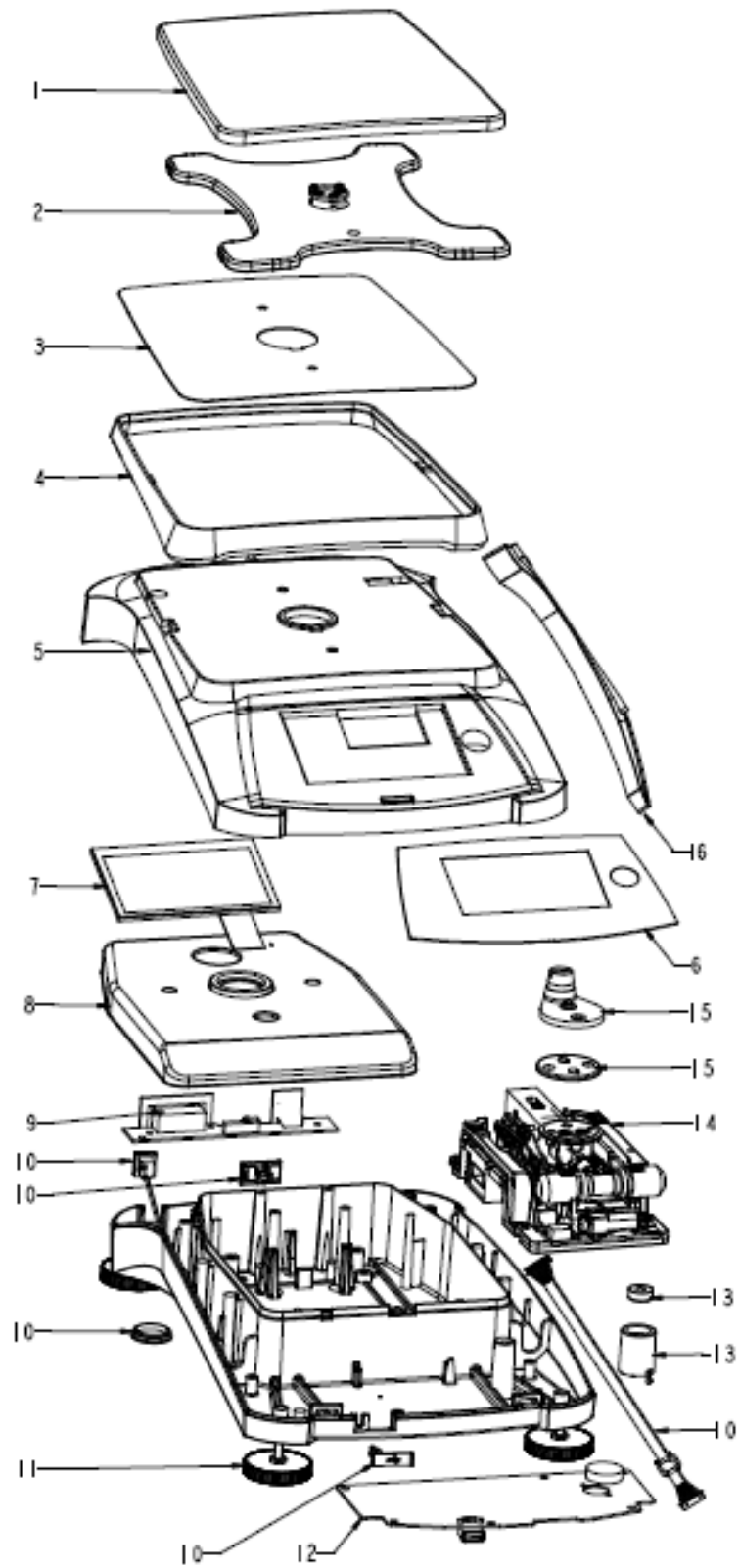
Part numbers are subject to change without notice.



Part numbers are subject to change without notice.

Drawing Item	Part Number	Description
1	83020829	SP Flexure Arm Assembly Pre PA, AX
2	12105332	Ratio Beam, 400G Loadcell, Adv, PA, AX 2 & 1 Decimal
3	30111804	SP, PCBA, Alli-LC, AX Precision
4	12123458	SP Copper 4kg linker flex kit
5	12123456	SP Copper 4kg ratio flex kit
7	12105334	Beam, 4KG Loadcell, Adv, PA, AX 2 & 1 Decimal
8	12105362	Cable, Coil, Ribbon, Adv, PA, AX
9	12105335	Light source, Position Sensor, Adv,PA, AX

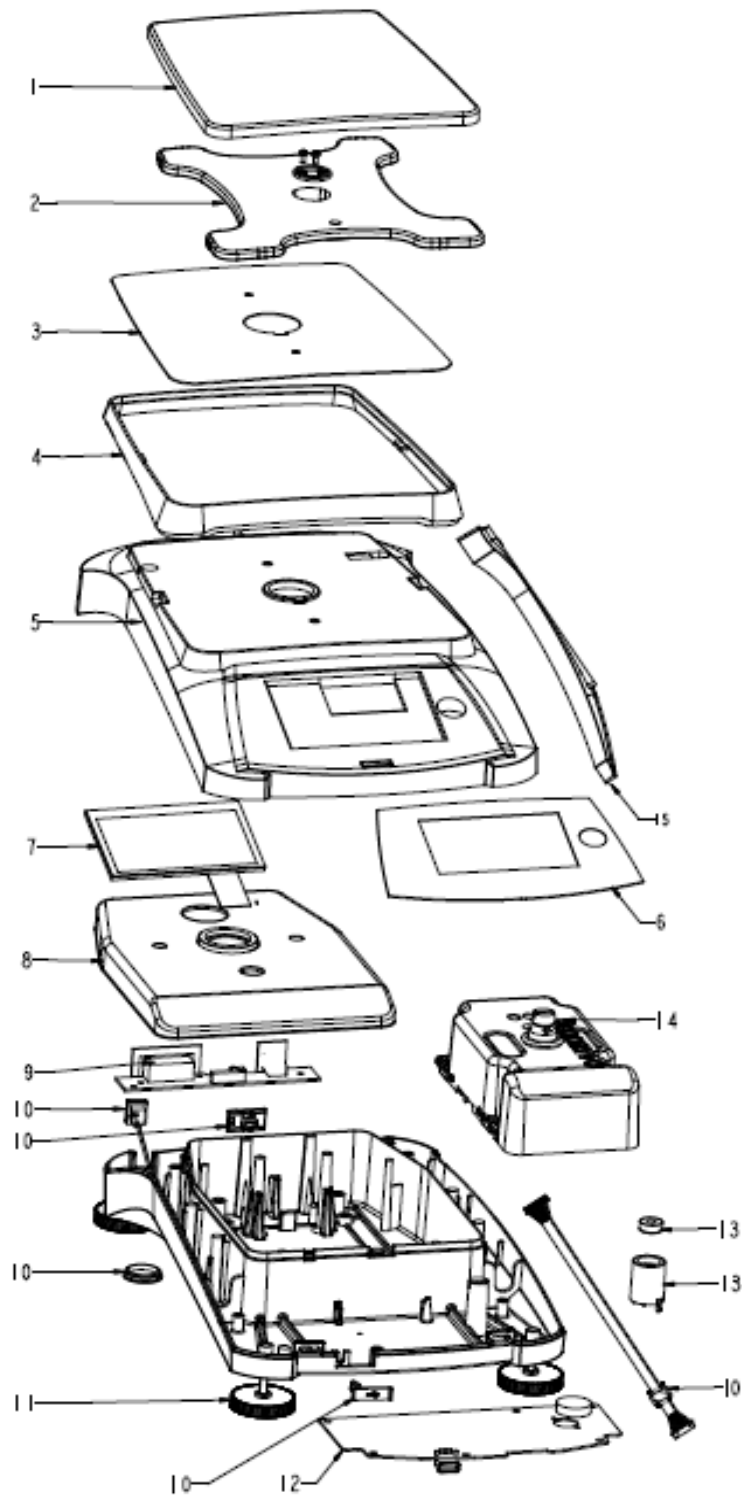
Part numbers are subject to change without notice.



Part numbers are subject to change without notice.

Drawing Item	Part Number	Description
1	30111765	SP Pan Trapezoid, AX
2	30111766	SP Pan Support kit Trapezoid, AX
3	30111767	SP Plate EMC W/O DS, AX
4	30111795	SP Wind-Ring W/O-DS, AX
5	30111775	SP Housing Top W/O DS, AX
6	30111768	SP Keypad EN, AX
6	30111769	SP Keypad CN, AX
6	30111770	SP Keypad JP, AX
6	30111771	SP Keypad RU, AX
6	30111803	SP Keypad GRAIN, AX
7	30111772	SP LCD 4.3-with-cable-TP, AX
7	30111773	SP LCD 4.3-with-cable-TP JP, AX
8	30111778	SP Shield LC Ferrite, AX
9	30111780	SP PCBA RS, AX
10	30111783	SP Cable kit, AX
11	30111785	SP feet 4pcs kit, AX
12	30111779	SP PCBA Main, AX
13	30111776	SP Bubble Kit, AX
14	30111798	SP Load Cell IMPDI6000G2-2C, AX5202
14	30111799	SP Load Cell IMPDI8000G1-3C, AX8201
15	30111784	SP Cone Adapter O4A-LC kit, AX
16	30111777	SP In User-Cover WO DS, AX

Part numbers are subject to change without notice.



Part numbers are subject to change without notice.

Drawing Item	Part Number	Description
1	30111765	SP Pan Trapezoid, AX
2	30111794	SP Pan Support kit SG, AX
3	30111767	SP Plate EMC W/O DS, AX
4	30111795	SP Wind-Ring W/O-DS, AX
5	30111775	SP Housing Top W/O DS, AX
6	30111768	SP Keypad EN, AX
6	30111769	SP Keypad CN, AX
6	30111770	SP Keypad JP, AX
6	30111771	SP Keypad RU, AX
6	30111803	SP Keypad GRAIN, AX
7	30111772	SP LCD 4.3-with-cable-TP, AX
7	30111773	SP LCD 4.3-with-cable-TP JP, AX
8	30111778	SP Shield LC Ferrite, AX
9	30111780	SP PCBA RS, AX
10	30111783	SP Cable kit, AX
11	30111785	SP feet 4pcs kit, AX
12	30111779	SP PCBA Main, AX
13	30111776	SP Bubble Kit, AX
14	30111800	SP Load Cell LSVKN8000G1-2C, AX8201/E
15	30111777	SP In User-Cover WO DS, AX