



**Hands-Free Floor Mount  
Stainless Steel Scrub Sink**

Model	Flow-Rate
531FS	Standard 2.0 GPM
531FS-0.5	Low-Flow 0.5 GPM

**Product Specifications**

Seamless welded construction of 14-gauge type 304 stainless steel with a 1-1/2" rolled rim on front and sides. Exposed surfaces have a uniformed satin finish. Specially designed foot valves provide easy access to working parts without disconnecting mount or plumbing.

Outside Dimensions	25" x 20" x 18-1/2" High
Inside Bowl Size	22" x 16-1/2" x 10-1/2" Deep
Back Splash Height	8"
Faucet Mounting Center	8"
Faucet Mounting Holes	7/8"
Water Activation	Manual Faucet with 4" Handles
Flow Rate	2 GPM
Inlet Connections	1/2" Male NPT
Drain Opening	3-1/2"
Finish	Satin
Strainer	Basket Type



**Includes**

- (1) Floor mount sink
- (1) Leg assembly set
- (4) Washers and nuts for connection sink to leg assembly set
- (1) Double foot pedal valve (bottom mount) with 2 nuts
- (1) Swivel gooseneck spout with aerator
- (1) Connecting tube for valve to spout connection
- (2) Fittings, brass, 0.375" male compression and 0.375" male NPT
- (1) Strainer assembly with basket

**Product Compliance**

NSF/ANSI 2 Food Equipment  
NSF/ANSI 372 Low-Lead



Part: \_\_\_\_\_ Quantity: \_\_\_\_\_

Project: \_\_\_\_\_

Contact: \_\_\_\_\_

Date: \_\_\_\_\_

Approval: \_\_\_\_\_

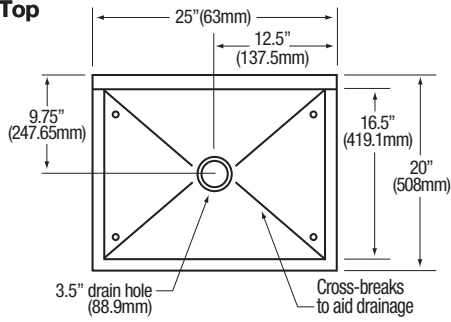
Notes:



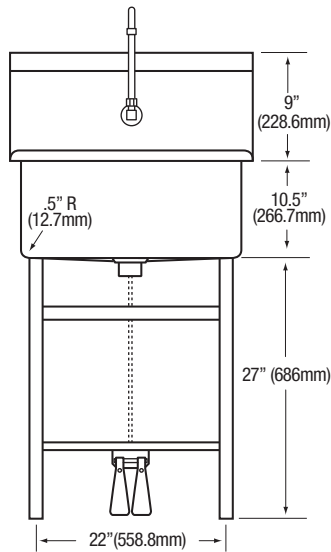
**WARNING:** Equipment that include faucets on this page may contain a chemical known to the State of California to cause cancer, birth defects or other reproductive harm.

**Hands-Free Floor Mount Stainless Steel Scrub Sink  
Models 531FS and 531FS-0.5**

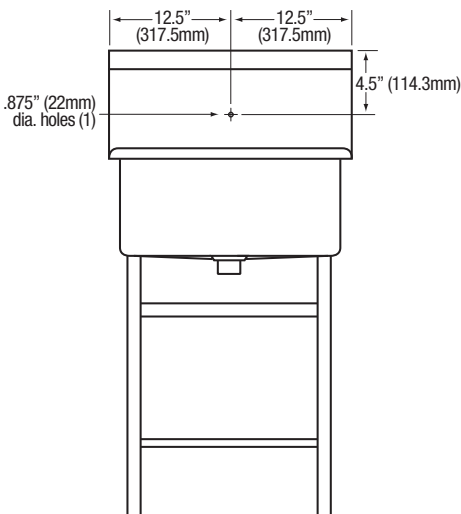
■ **Top**



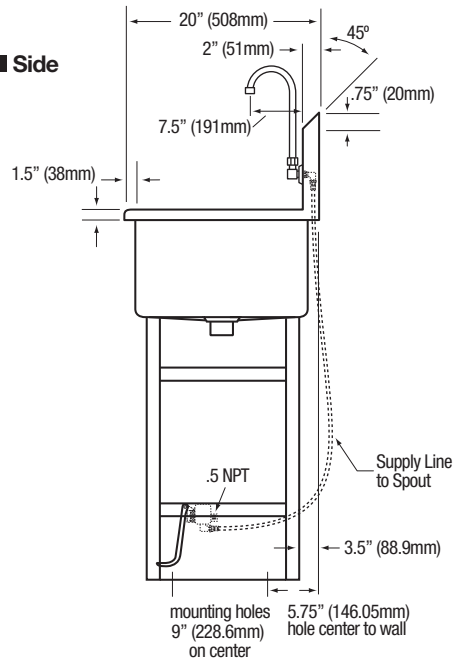
■ **Front**



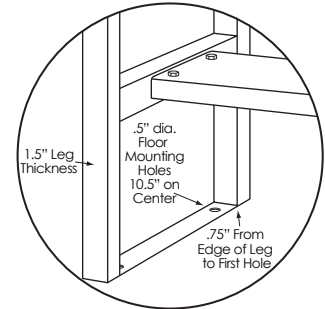
■ **Hole Configuration**



■ **Side**



■ **Floor Mounting Detail**



■ **Supply Line Detail**

