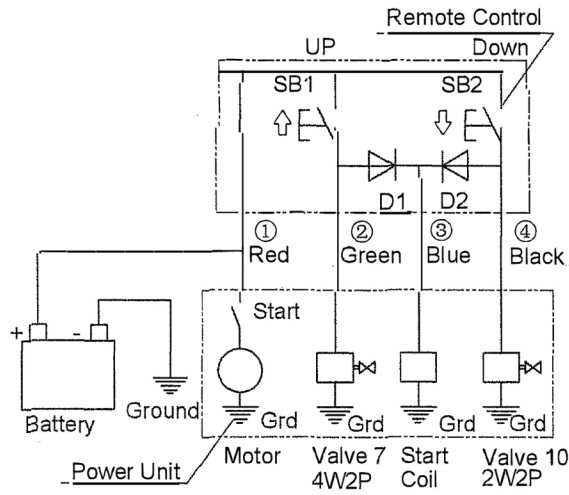


HYDRAULIC SCHEMATIC



ELECTRICAL SCHEMATIC

**P/N 253-147**

No.	Description	Technical data
12	Central Manifold	LBZ-T61 KK-1 Aluminium
11	Remote Control	RC-2B4L3M-B 3 Meters Long
10	Solenoid Valve (single lead)	LSV-08-2NCP-1S 2-Way, 2-Position, 12VDC
9	Flow Control Valve	BL-12.5
8	Low Relief valve	RV-3/4-A 2500PSI
7	Solenoid Valve (single lead)	LSV2-08-4CO-1S 4-Way, 2-Position, 12VDC
6	Check valve	ICV2000-G14
5	System Relief valve	RV-3/4-A 2500PSI
4	Gear pump	CBK-F2.1F 2.1cc/r
3	Motor	DM11-1AWU-3BC1R-B 12VDC , 2.0kw , S3 duty
2	Suction Filter	YBZ-4-100
1	Tank	YBZ-SLYX-12L-N Plastic, 12L, Horizontal
No.	Description	Technical data