

Please read and save these instructions. Read through this owner's manual carefully before using product. Protect yourself and others by observing all safety information, warnings, and cautions. Failure to comply with instructions could result in personal injury and/or damage to product or property. Please retain instructions for future reference.

PARTS LIST:

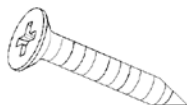
A



Recessed Extinguisher Cabinet with Tempered Glass and Lock

1 PC

B

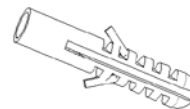


★ Self-Tapping Screw

#10-24 x 1"

3 PCS

C



★ Plastic Wall Anchor

1/4"OD X 1-3/16"

3 PCS

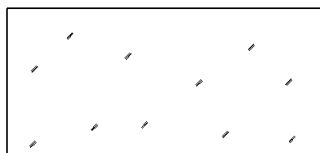
D



Glass Clip

4 PCS

E



Tempered Glass

1 PC

F



Break Glass Handle

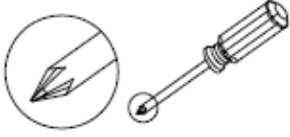
1 PC

★ Standard Hardware Item Available Locally

NOTE: 35GX47----- Suitable for Fire Extinguisher up to 20 lbs.

Recessed Extinguisher Cabinet with Tempered Glass and Lock

ASSEMBLY TOOLS REQUIRED



**“+” Phillips-Head
Screwdriver**



Rubber Mallet



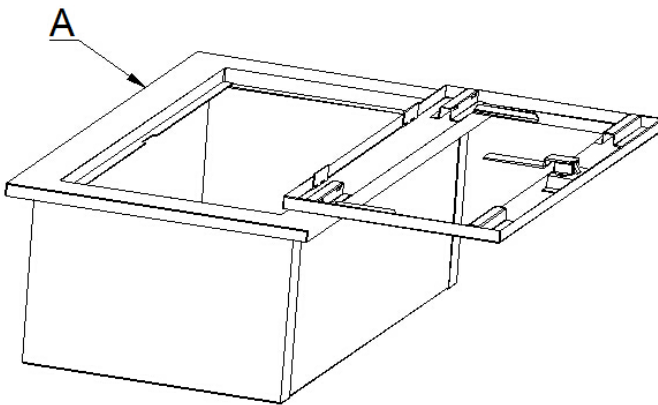
Electric Drill



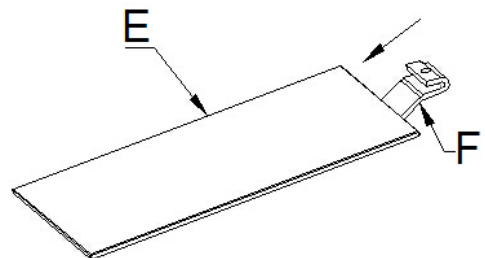
Pencil

INSTALLATION

1

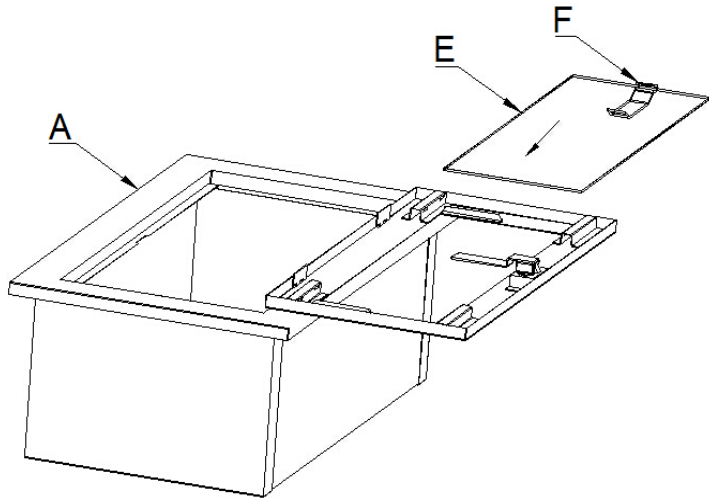


2

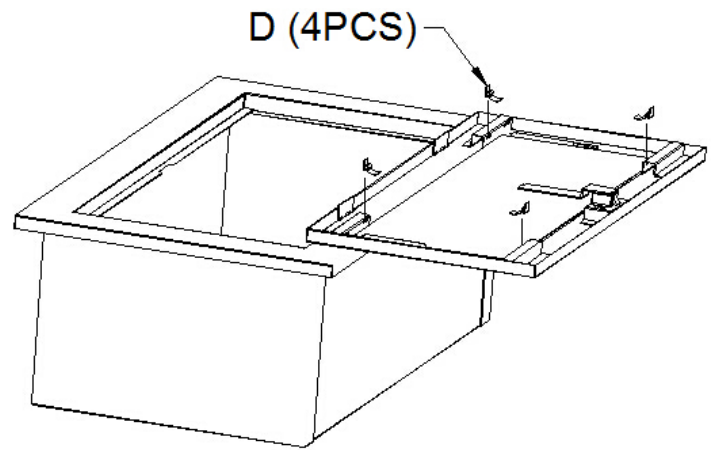


Recessed Extinguisher Cabinet with Tempered Glass and Lock

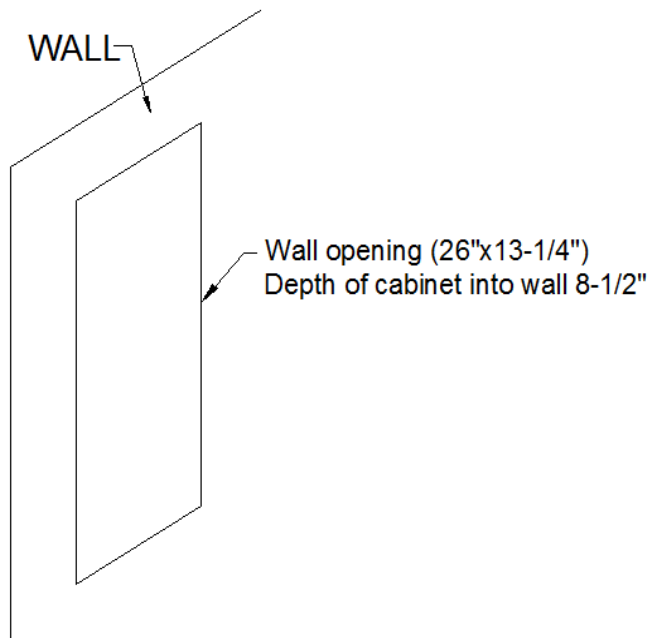
3



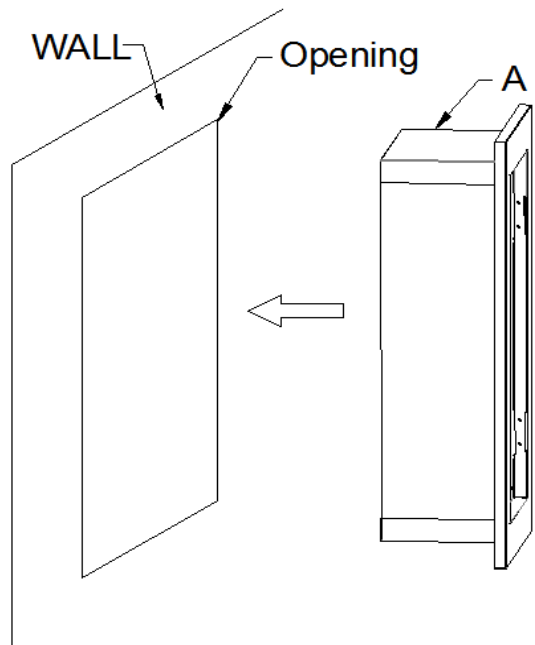
4



5

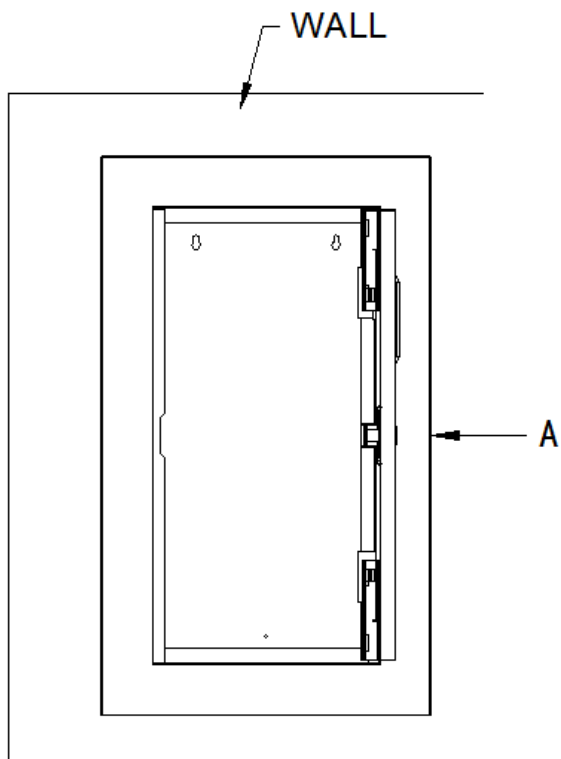


6

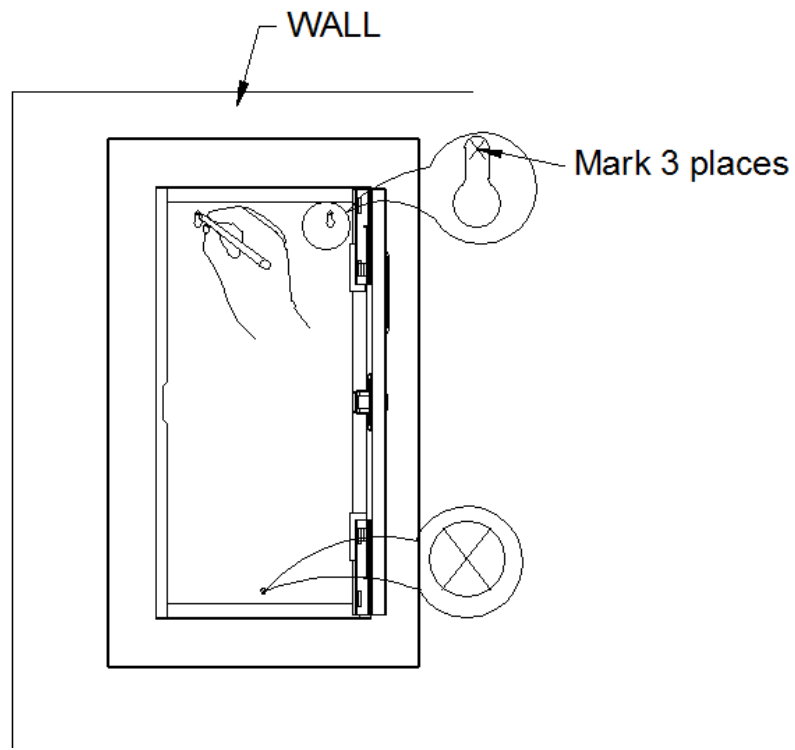


Recessed Extinguisher Cabinet with Tempered Glass and Lock

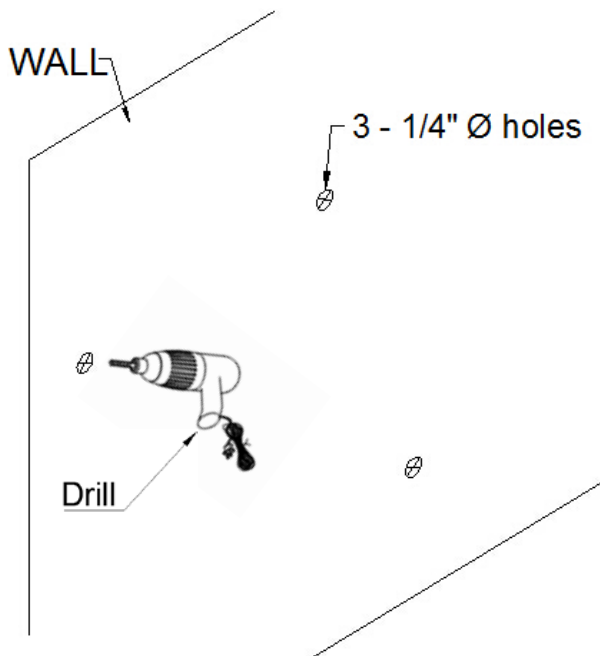
7



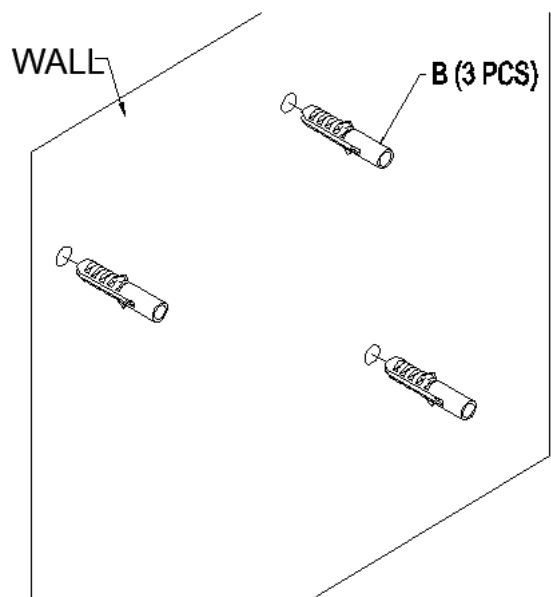
8



9

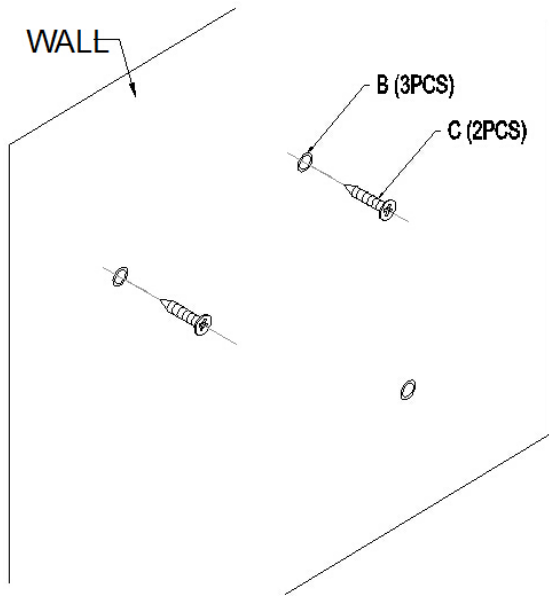


10

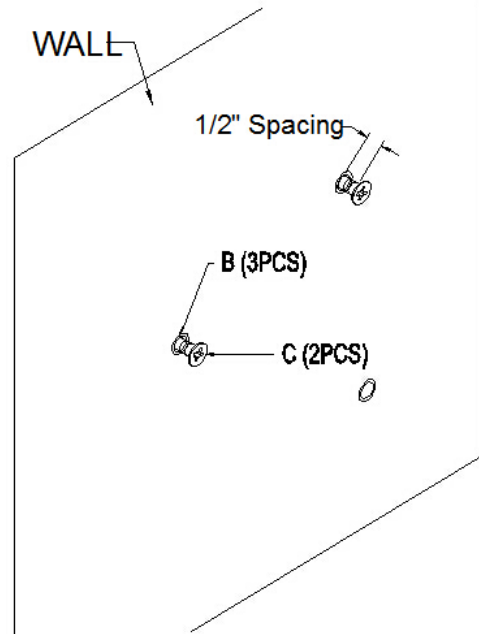


Recessed Extinguisher Cabinet with Tempered Glass and Lock

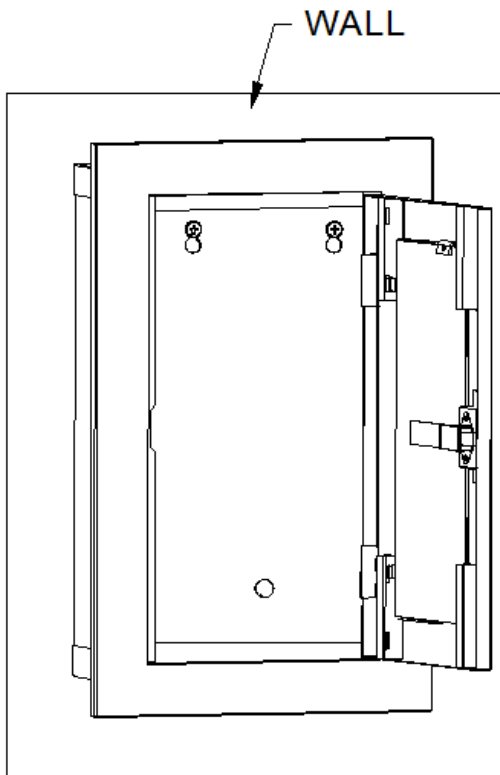
11



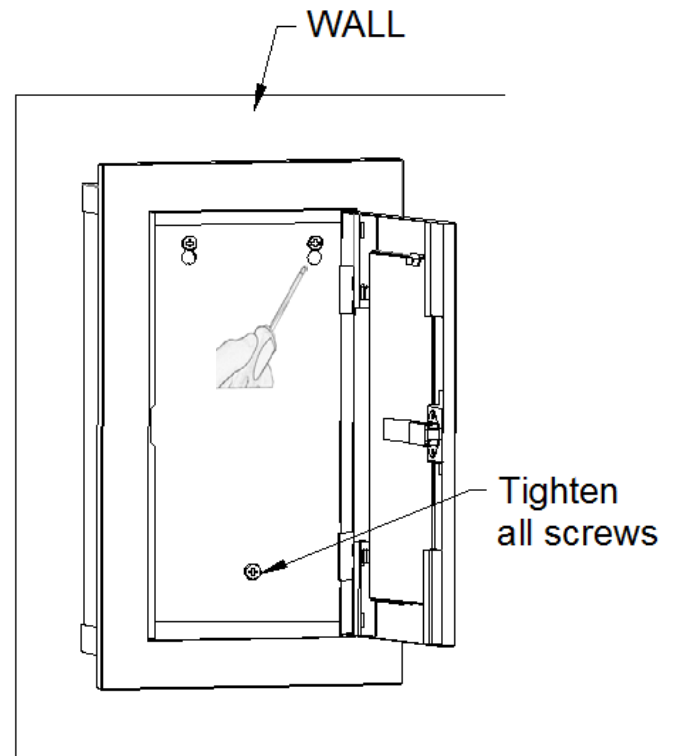
12



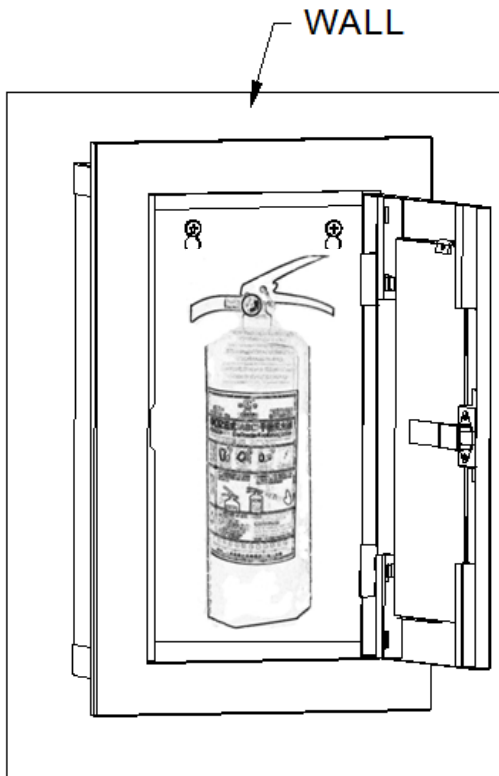
13



14



Recessed Extinguisher Cabinet with Tempered Glass and Lock

15

Warranty

LIMITED ONE-YEAR WARRANTY

Should this product fail to perform satisfactorily due to a defect or poor workmanship within ONE YEAR from the date of purchase, return it to the place of purchase and it will be replaced, free of charge. Incidental or consequential damages are excluded from this warranty.