

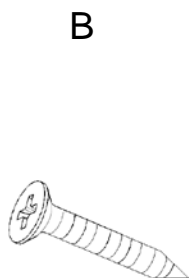
Please read and save these instructions. Read through this owner's manual carefully before using product. Protect yourself and others by observing all safety information, warnings, and cautions. Failure to comply with instructions could result in personal injury and/or damage to product or property. Please retain instructions for future reference.

PARTS LIST:



Fire Extinguisher Cabinet

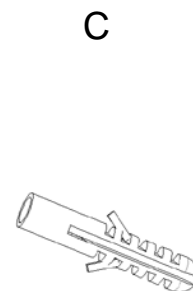
1 PC



★ Self-tapping screws

#10-24 x 1"

3 PCS



★ Plastic wall anchors

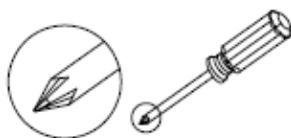
1/4"OD X1-3/16

3 PCS

★ Standard Hardware Item Available Locally

NOTE: 35GX42----- Suitable for Fire Extinguisher up to 5 lbs.
 35GX43----- Suitable for Fire Extinguisher up to 10 lbs.
 35GX44----- Suitable for Fire Extinguisher up to 20 lbs.

ASSEMBLY TOOLS REQUIRED



"+" Phillips-head screwdriver



Rubber mallet



Electric drill

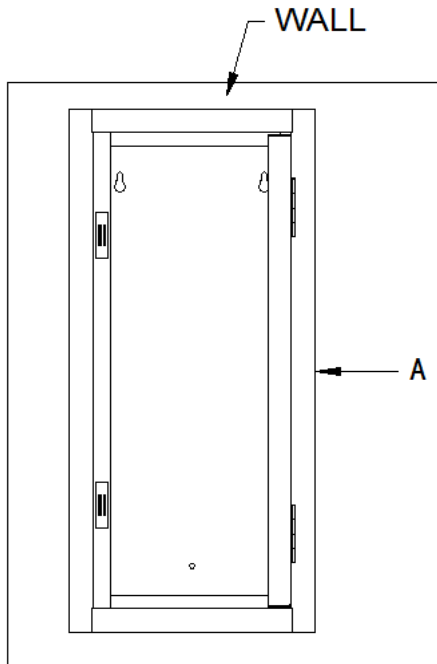


Pencil

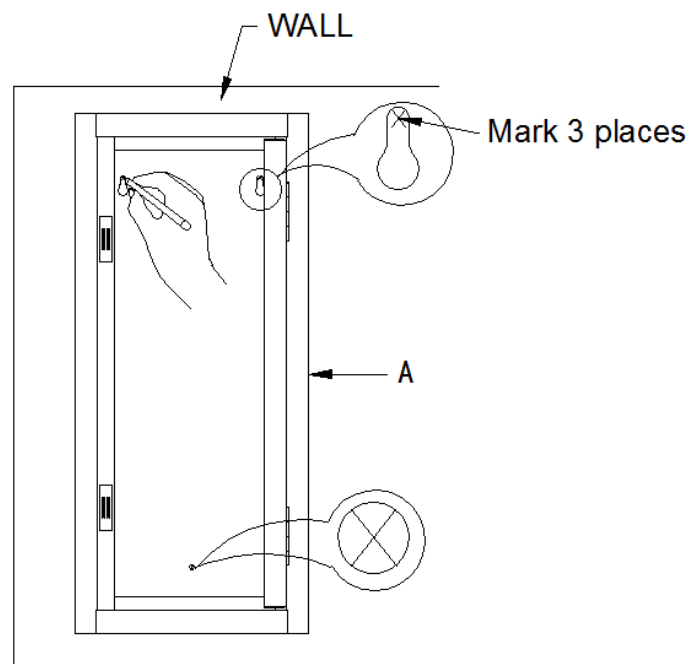
Fire Extinguisher Cabinet

INSTALLATION

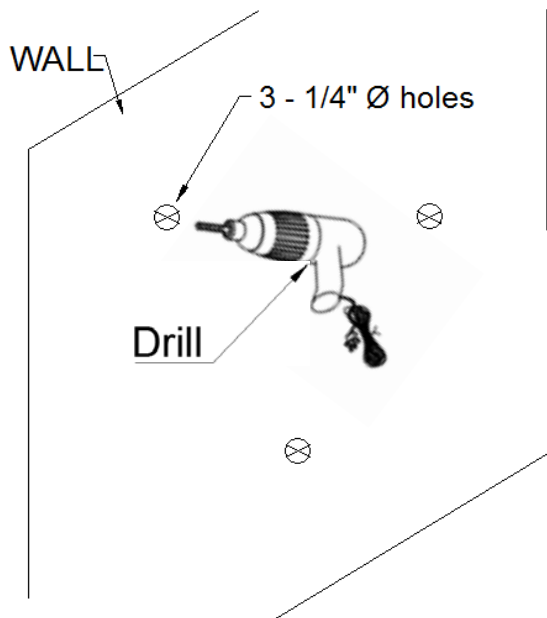
1



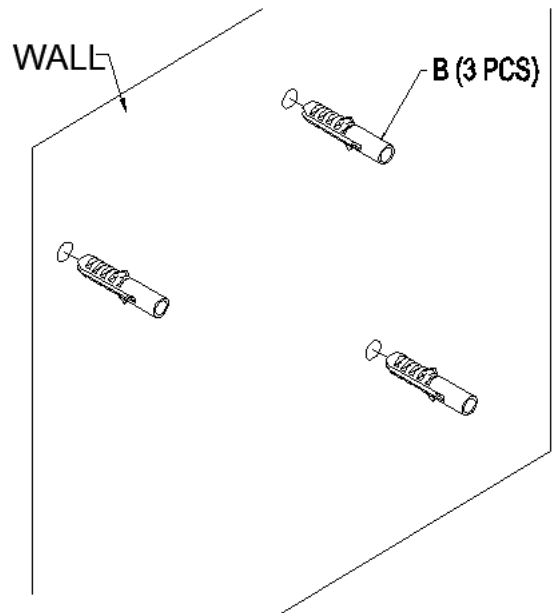
2



3

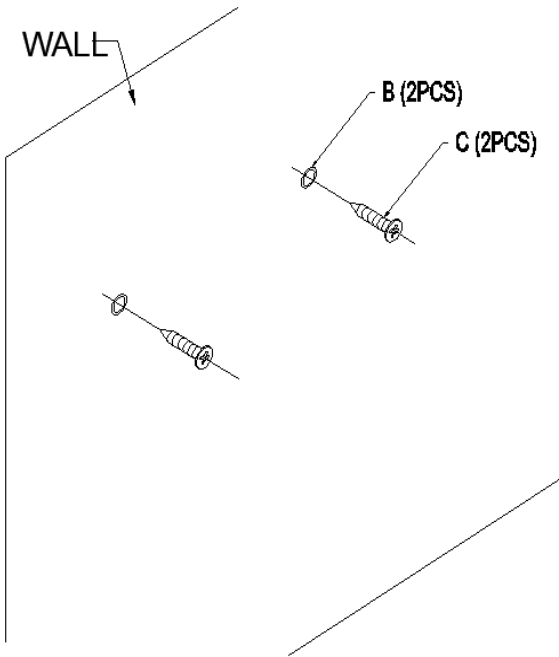


4

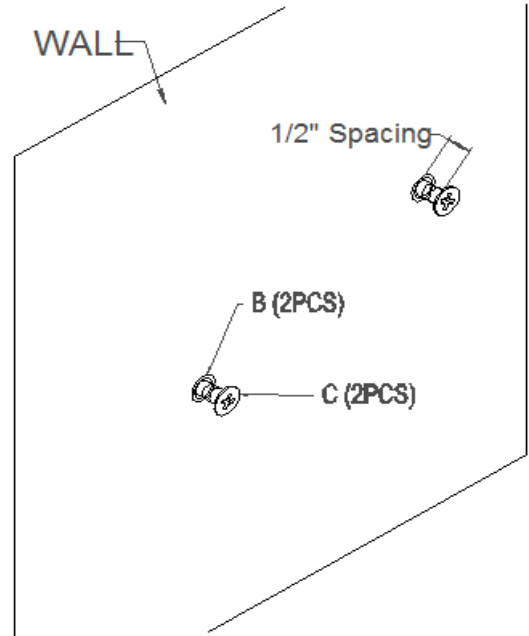


Fire Extinguisher Cabinet

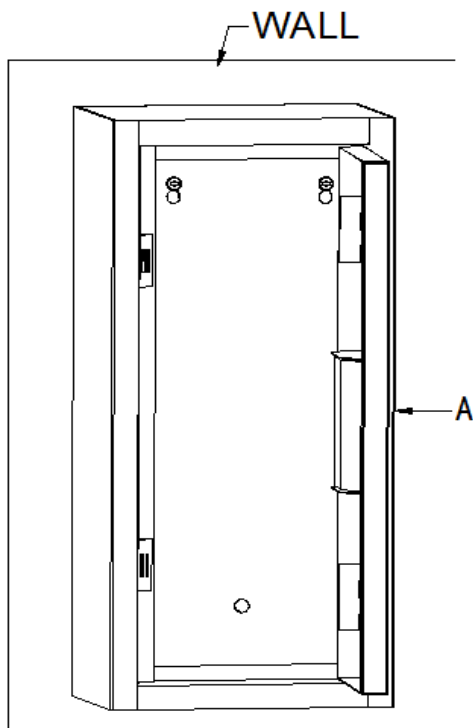
5



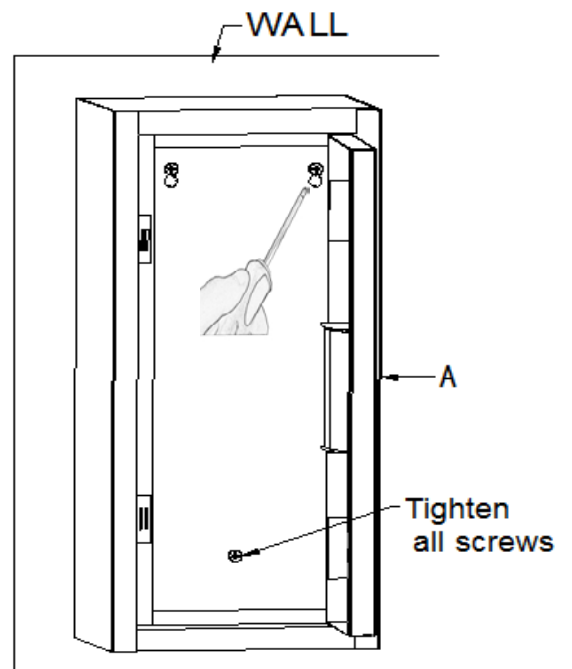
6



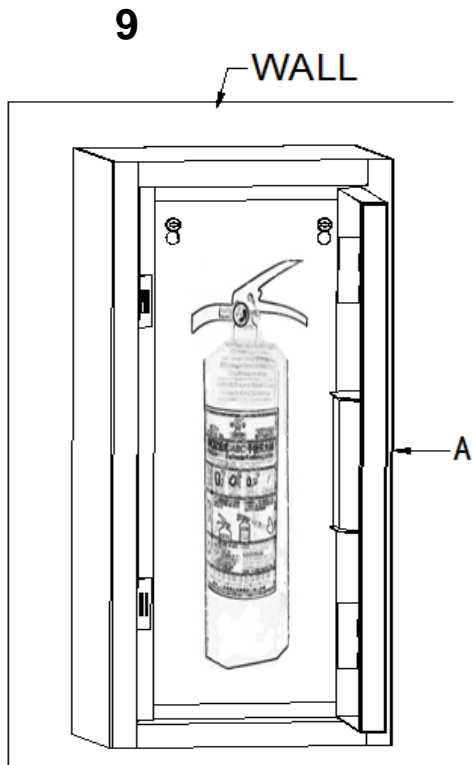
7



8



Fire Extinguisher Cabinet



Warranty

LIMITED ONE-YEAR WARRANTY

Should this product fail to perform satisfactorily due to a defect or poor workmanship within ONE YEAR from the date of purchase, return it to the place of purchase and it will be replaced, free of charge. Incidental or consequential damages are excluded from this warranty.