



Product Description:

Protection System

- Hangs on wall via keyholes or on door utilizing door hanger accessory
- Made of quartz ABS and clear PETG plastic
- Made in USA

Dispenses:

Fits most brand name boxes

- 3 boxes of gloves
5.00"W x 10.00"H x 3.75"D (12.7cm x 25.4cm x 9.5cm)
- 1 box of face masks
4.88"W x 8.00"H x 3.75"D (12.4cm x 20.3cm x 9.5cm)
- 2 bulk bins for protection apparel such as bouffant caps, booties, etc.

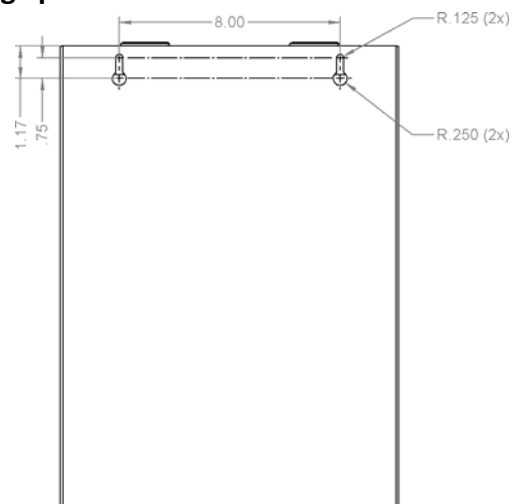
Product Specifications (Overall External Dimensions):

- 22.00"W x 19.75"H x 5.00"D (55.8cm x 50.1cm x 12.7cm)
- 8 lbs (3.6 kg)

Package Specifications:

- Package Qty 1 per case
- 24"W x 24"H x 8"D (61.0 cm x 61.0 cm x 17.8 cm)
- 10 lbs (4.5 kg)

Mounting Specifications:





Advantage

Designed for Long-Term Heavy-Duty Applications

The combination of copolymers (Acrylonitrile, Butadiene, and Styrene) gives ABS an excellent combination of strength, rigidity, and toughness.

Major Benefits

Durable

ABS is chemical and stress-crack resistant. It is tough, dimensionally stable, and will hold up to long-term use.

Cleaning

Use mild soap and water to clean. Petroleum-based oils, solvents, and paints should not be used.

Strength

ABS plastic possesses high strength and performance characteristics at a reasonable cost. These qualities make it perfect for a wide variety of applications, including medical and laboratory equipment.

Appearance

The quartz, lightly textured finish has a clean, attractive look.

