

WINGITS®

STANDARD™

Stainless Steel Grab Bar - Knurled

Model:

WGB5xxKN

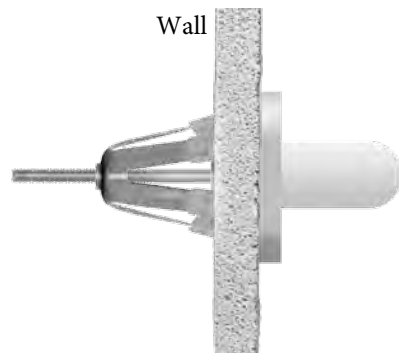
Part Numbers:

WGB5PSKN12 12" Polished Knurled Finish	WGB5SSKN12 12" Satin Knurled Finish
WGB5PSKN16 16" Polished Knurled Finish	WGB5SSKN16 16" Satin Knurled Finish
WGB5PSKN18 18" Polished Knurled Finish	WGB5SSKN18 18" Satin Knurled Finish
WGB5PSKN24 24" Polished Knurled Finish	WGB5SSKN24 24" Satin Knurled Finish
WGB5PSKN30 30" Polished Knurled Finish	WGB5SSKN30 30" Satin Knurled Finish
WGB5PSKN32 32" Polished Knurled Finish	WGB5SSKN32 32" Satin Knurled Finish
WGB5PSKN36 36" Polished Knurled Finish	WGB5SSKN36 36" Satin Knurled Finish
WGB5PSKN42 42" Polished Knurled Finish	WGB5SSKN42 42" Satin Knurled Finish
WGB5PSKN48 48" Polished Knurled Finish	WGB5SSKN48 48" Satin Knurled Finish



Features:

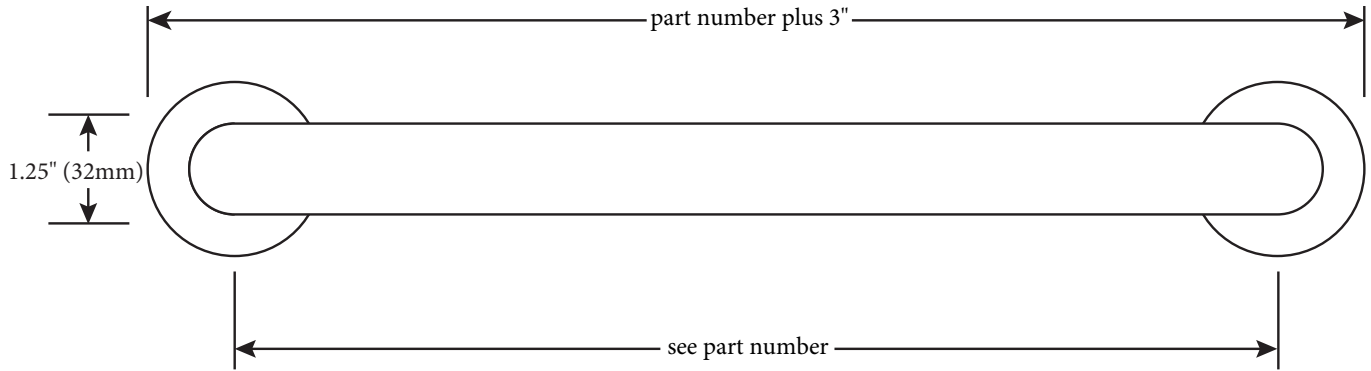
- All parts are 18-8 (304) Stainless Steel - tubing is 18-Gauge (1.2mm)
- Mounting Flanges are 3" (76mm) in diameter, 3/32" (2.5mm) thick, HeliArc welded to the tubing
- Mounting Flanges have 5 holes for attachment to WINGITS® Fasteners or Adequate Structural Blocking
- Meets or Exceeds all Building Codes, ADA Criteria, 2010 ADAAG and 2017 ANSI Standards
- Anti-Slip Grab Bar that repels dirt and bacteria



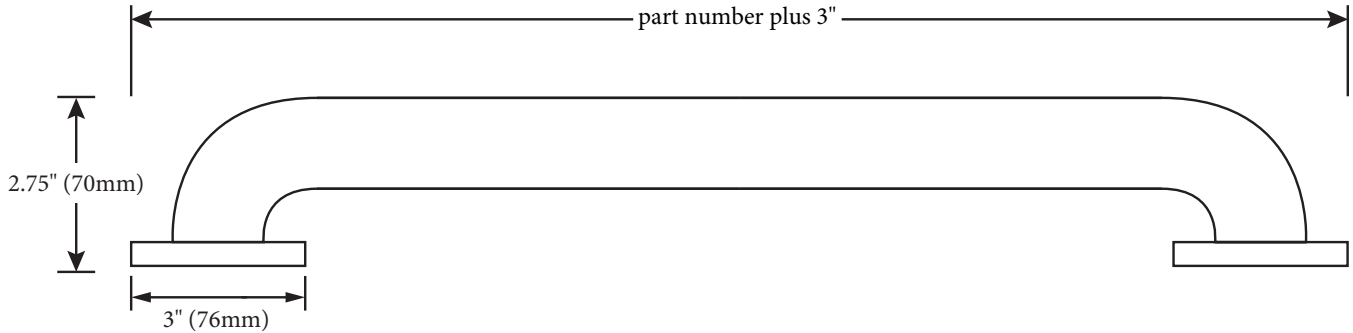
MECHANICAL DATA
Length: see part number
Height: 3" (76mm)
Depth: 2.75" (70mm)
Tube Diameter: 1.25" (32mm)
COMPOSITION
18-8 (304) Stainless Steel
INSTALLATION
Includes Stainless Steel Screws to Install into Adequate Structural Blocking . Can Be Installed with WINGITS® Fasteners when blocking is not available.
RECOMMENDED INTEGRATION
Install into Adequate Structural Blocking or with WINGITS® Fasteners.

© Copyright 2022 WingIt Innovations, LLC. This document contains information proprietary to WingIt Innovations, LLC that is protected by patent, copyright, and/or other proprietary rights. The information contained herein is not to be duplicated or transferred in any manner without prior written permission from WingIt Innovations, LLC.

Front



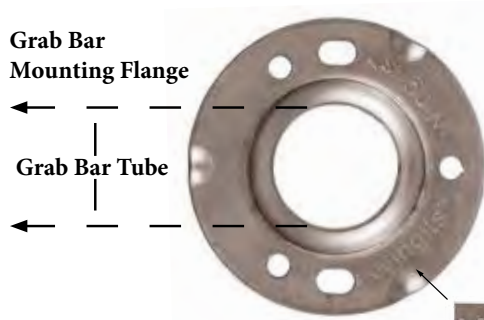
Top



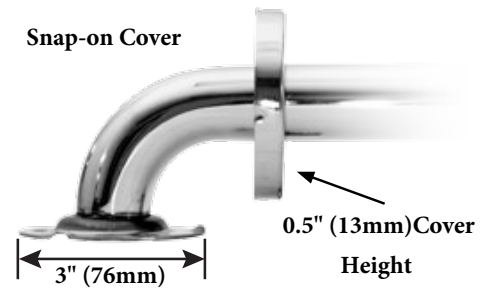
Holes - 0.25" (6mm)
 Slots - 0.25" (6mm) x 0.5" (13mm)
 (used when installing with the
 WINGITS® Grab Bar Fastening
 System)
 Bolt Circle is 2.3125" (59mm)

**Grab Bar
 Mounting Flange**

Grab Bar Tube



Snap-on Cover



Included Hardware



2.5" S/S Screw (6)

**Optional Hardware
 (Sold Separately)**



WINGITS® Grab Bar
 Fastener (GBW40) (2)



WINGITS® Reverse Grab Bar
 Fastener (SRGBW40) (2)



WINGITS® Structurally
 Engineered (RES) Grab Bar
 Fastener (RESGBW35) (2)