



Service Parts List

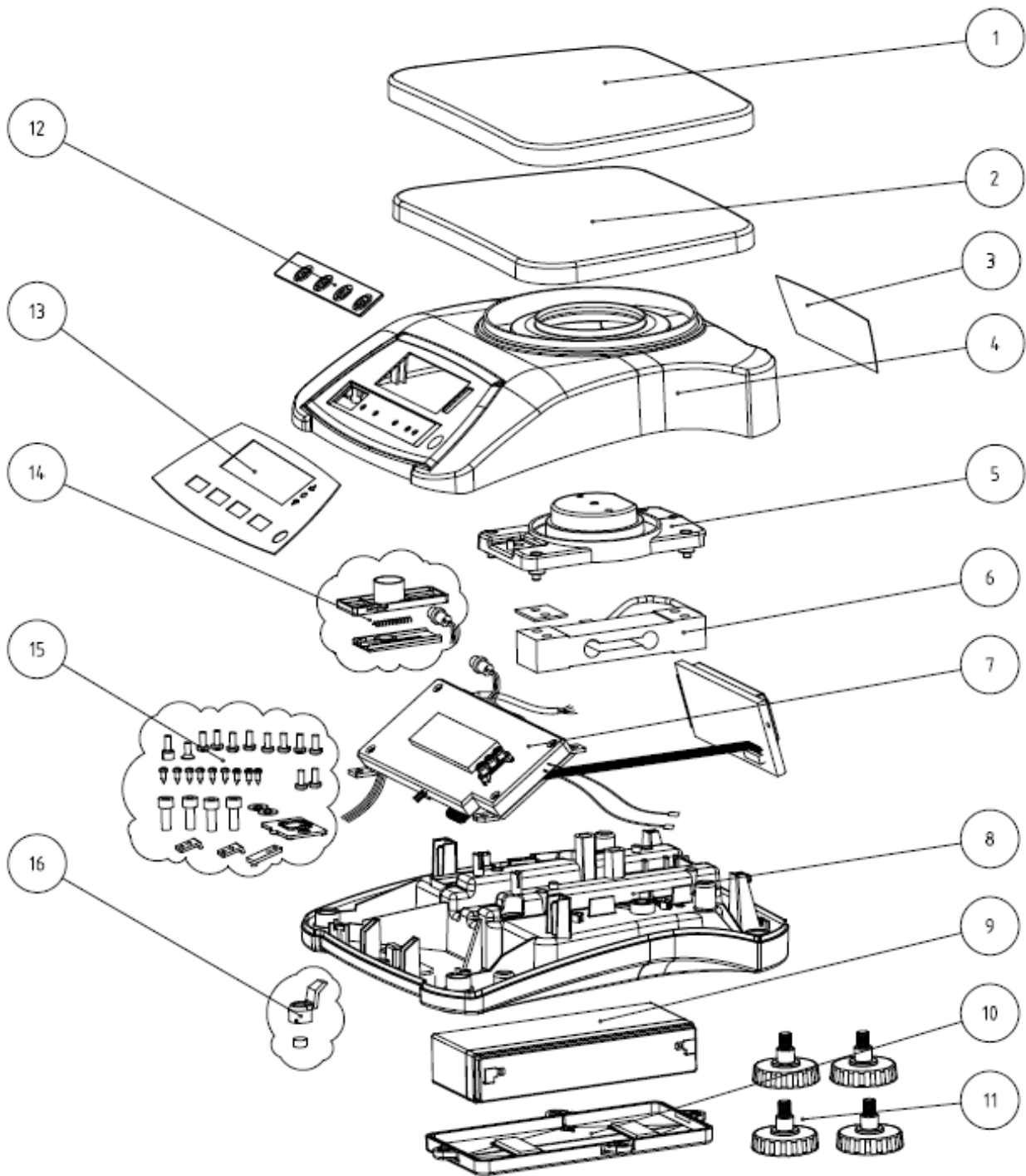
Click on the model being serviced

V41PWE1501T
V41PWE3T
V41PWE6T
V41PWE15T

V41XWE1501T
V41XWE3T
V41XWE6T
V41XWE15T

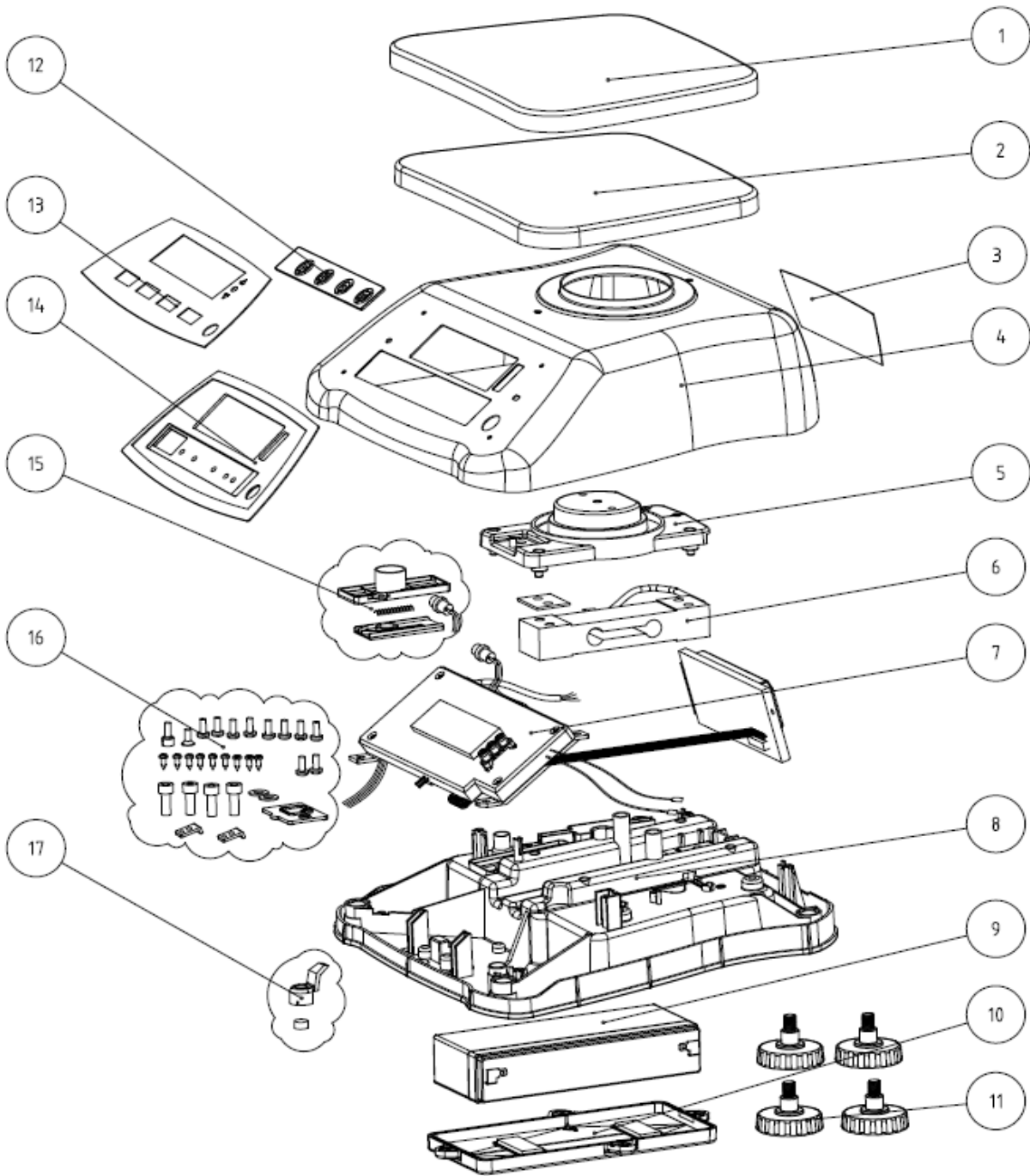
Note: Please kindly take note on the below starting serial number which will be using the improve PCBA/Bottom Housing and make sure the correct parts are used during service and repair.

Models	Starting Serial Number
V22PW/V41PW	8335100297
V22XW/V41XW	8335150515



Part numbers are subject to change without notice.

Drawing Item	Part Number	Description
1	30035595	SP Pan SST V22 V41
2	30035592	SP Pan Plastic V22 V41
3	30028583	Overlay rear EN V41PW
	30035622	Overlay rear JP V41PW
4	30035590	SP Housing Module Top V22PW V41PW
5	30035594	SP Spider V22 V41
6	30035600	SP Load Cell V41XWE1501T
	30035601	SP Load Cell V41XWE3T
	30035602	SP Load Cell V41 V41XWE6T
	30035603	SP Load Cell V41XWE15T
7	30035609	SP PCB Module V41
	30089648	SP PCB Module, Full Sealed, V41 (improve version)
8	30035591	SP Housing Bottom V22PW V41PW
	30089649	SP Housing Bottom, Rib, V22PW V41PW (improve version)
9	72198198	SP Lead Acid Battery 6V 5AH
10	30035597	SP Cover Batt V22 V41
11	30035606	SP Feet Kit R21 R31 V71 V22 V41
12	30035634	SP Mech 4-Key Module V41
13	30028582	Function Label Front EN V41
	30035621	Function Label Front JP V41
	30035623	Function Label Front KR V41
	30035625	Function Label Front RU V41
14	30035598	SP Power Socket Kit V22 V41
15	30035611	SP Hardware Kit V22 V41
16	30035599	SP Level Bubble kit V22 V41
NA	46001802	SP Power Adapter body
NA	46001780	SP Power Adapter (all plugs)
NA	30035604	SP Packaging Box V22 V41
NA	30035605	SP Packaging complete V22PW V41PW



Part numbers are subject to change without notice.

Drawing Item	Part Number	Description
1	30035595	SP Pan SST V22 V41
2	30035592	SP Pan Plastic V22 V41
3	30043147	Overlay Back EN V41XW
	30035633	Overlay Back JP V41XW
4	30035612	SP Housing Top V22XW V41XW
5	30035594	SP Spider V22 V41
6	30035600	SP Load Cell V41 1.5kg
	30035601	SP Load Cell V41 3kg
	30035602	SP Load Cell V41 6kg
	30035603	SP Load Cell V41 15kg
7	30035609	SP PCB Module V41
	30089648	SP PCB Module, Full Sealed, V41 (improve version)
8	30035614	SP Housing Bottom V22XW V41XW
	30089650	SP Housing Bottom, Rib, V22XW V41XW (improve version)
9	72198198	SP Lead Acid Battery 6V 5AH
10	30035597	SP Battery Cover V22PW V41P(X)W
11	30035606	SP Feet Kit R21 R31 V71 V22 V41
12	30035634	SP Mech 4-Key Module V41P(X)W
13	30028582	Function Label Front EN V41
	30035621	Function Label Front JP V41
	30035623	Function Label Front KR V41
	30035625	Function Label Front RU V41
14	30035613	SP Front Module V22XW V41XW
15	30035598	SP Power Socket Kit V22 V41
16	30035611	SP Hardware Kit V22 V41
17	30035599	SP Level Bubble kit V22 V41
NA	46001802	SP Power Adapter body
NA	46001780	SP Power Adapter (all plugs)
NA	30035604	SP Packaging Box V22 V41
NA	30035605	SP Packaging complete V22PW V41PW