



**Service Parts List**

Click on the model being serviced

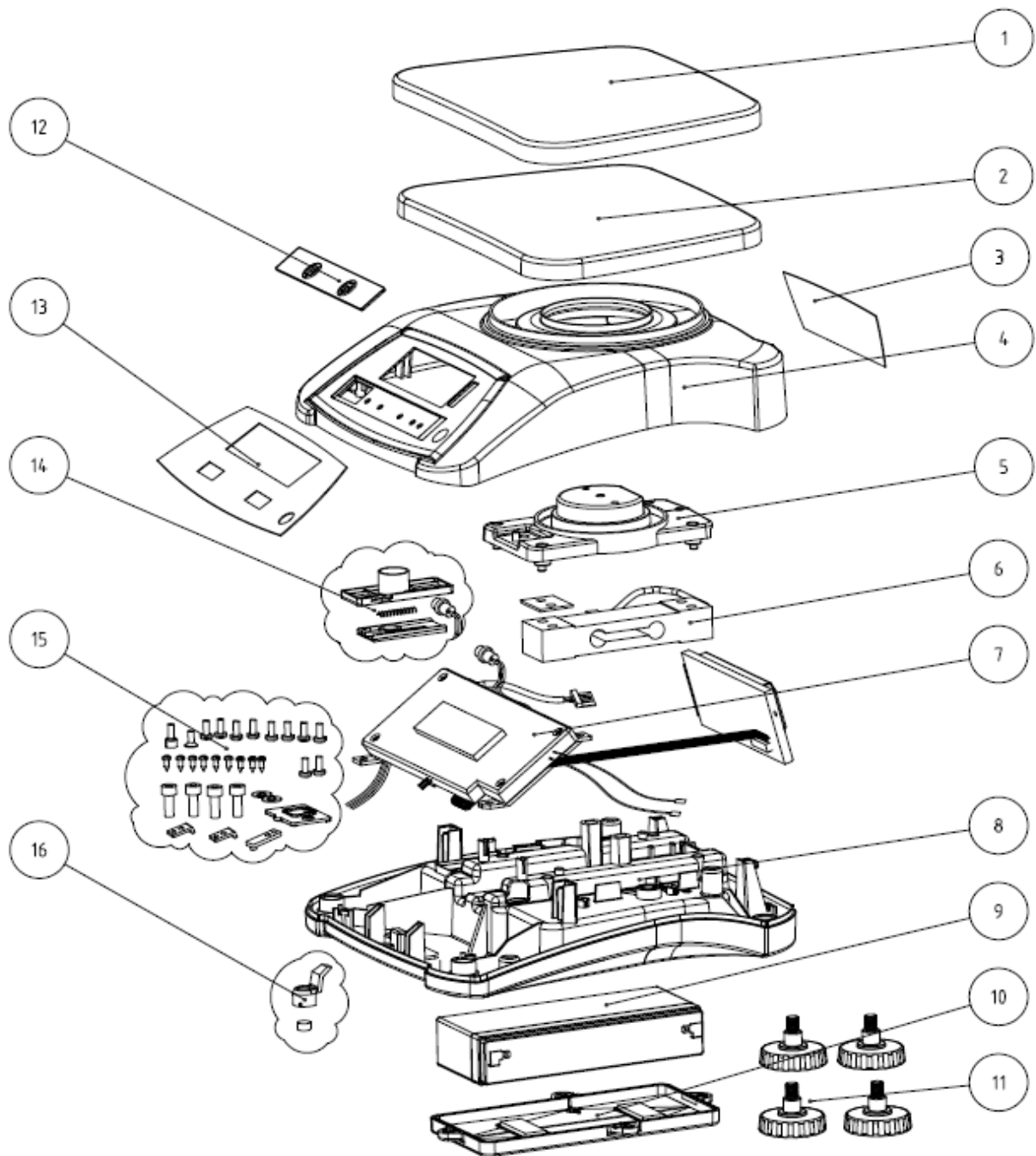
[V22PWE1501T](#)  
[V22PWE3T](#)  
[V22PWE6T](#)  
[V22PWE15T](#)

[V22XWE1501T](#)  
[V22XWE3T](#)  
[V22XWE6T](#)  
[V22XWE15T](#)

[V22PWE1501TZH](#)  
[V22PWE3TZH](#)  
[V22PWE6TZH](#)  
[V22PWE15TZH](#)

**Note Please kindly take note on the below starting serial number which will be using the improve PCBA/Bottom Housing and make sure the correct parts are used during service and repair.**

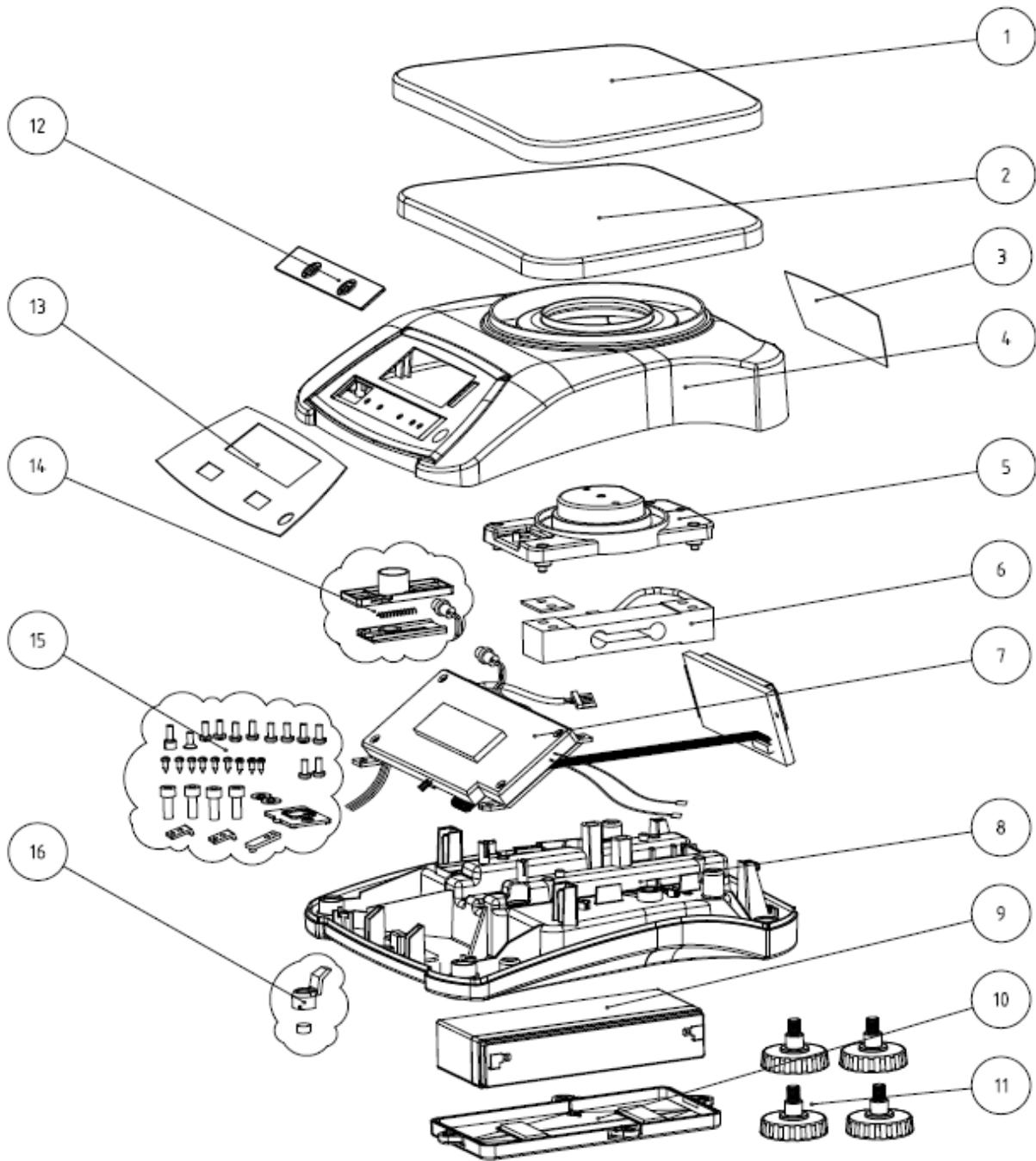
<b>Models</b>	<b>Starting Serial Number</b>
<b>V22PW/V41PW</b>	<b>8335100297</b>
<b>V22XW/V41XW</b>	<b>8335150515</b>



Part numbers are subject to change without notice.

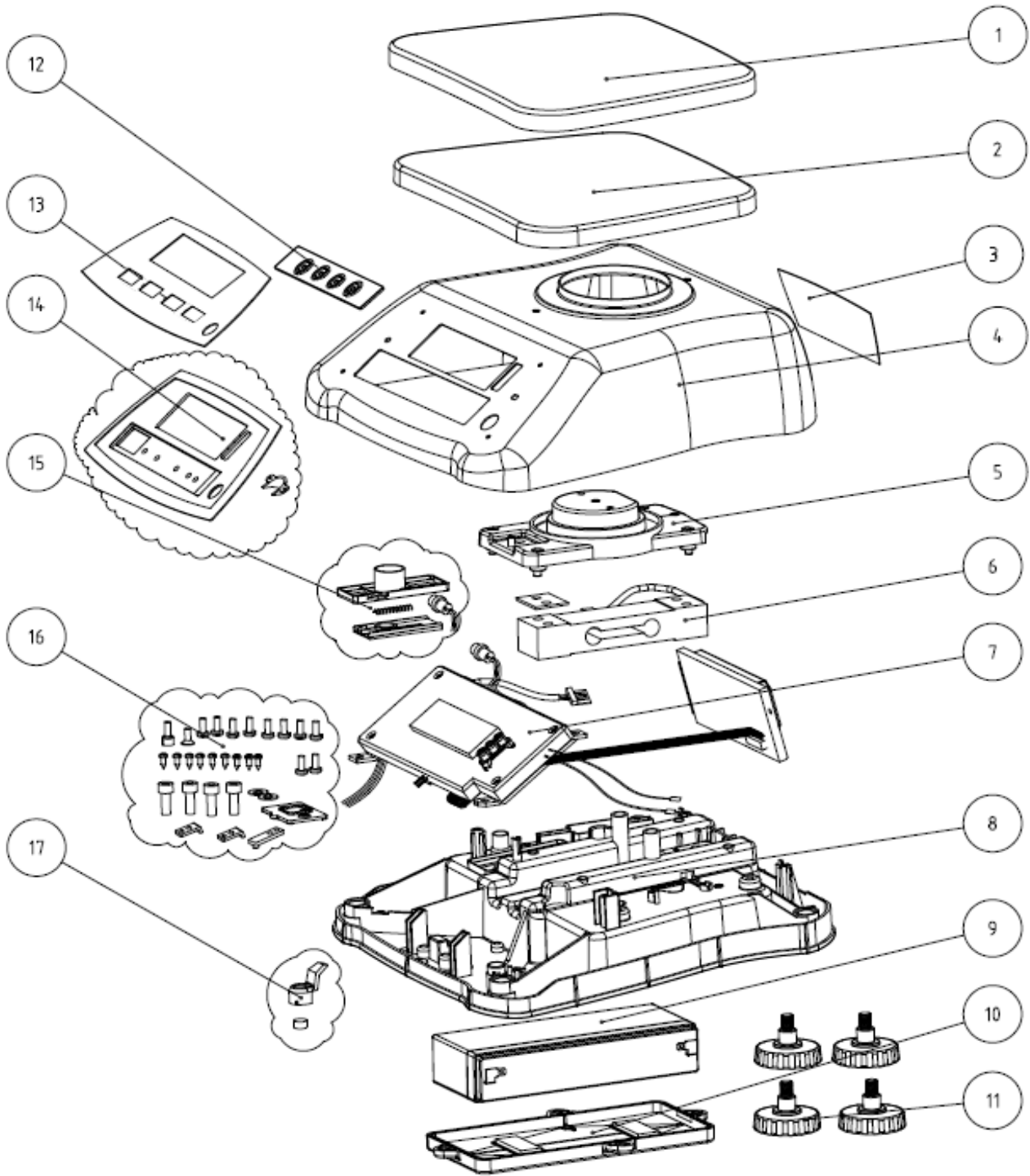
Drawing Item	Part Number	Description
1	30035595	SP Pan SST V22 V41
2	30035592	SP Pan Plastic V22 V41
3	30035618	Overlay Back EN V22PW
	30035610	Overlay Back JP V22PW
4	30035590	SP Housing Module Top V22PW V41PW
5	30035594	SP Spider V22 V41
6	30035636	SP Load Cell V22PWE1501T, V22PWE1501TZH
	30035637	SP Load Cell V22PWE3T, V22PWE3TZH
	30035638	SP Load Cell V22PWE6T, V22PWE6TZH
	30035639	SP Load Cell V22PWE15T, V22PWE15TZH
7	30035607	SP PCB Module V22
	30089646	SP PCBA, Full Sealed, V22PW (improve version)
8	30035591	SP Housing Bottom V22PW V41PW
	30089649	SP Housing Bottom, Rib, V22PW V41PW (improve version)
9	72198198	SP Lead Acid Battery 6V 5AH
10	30035597	SP Cover Batt V22 V41
11	30035606	SP Feet Kit R21 R31 V71 V22 V41
12	30035635	SP Mech 2-Key Module V22
13	30035617	Function Label Front V22PW Chinese
	30043179	Function Label Front V22 English
	30035627	Function Label Front V22 Korea
	30035628	Function Label Front V22 Japan
14	30035598	SP Power Socket Kit V22 V41
15	30035611	SP Hardware Kit V22 V41
16	30035599	SP Level Bubble kit V22 V41
NA	30100993	SP, Adapter, 10W, 12VDC, V22 V41

Part numbers are subject to change without notice.



Part numbers are subject to change without notice.

Drawing Item	Part Number	Description
1	30035595	SP Pan SST V22 V41
2	30035592	SP Pan Plastic V22 V41
3	30035618	Overlay Back EN V22PW
	30035610	Overlay Back JP V22PW
4	30035590	SP Housing Module Top V22PW V41PW
5	30035594	SP Spider V22 V41
6	30035636	SP Load Cell V22PWE1501T, V22PWE1501TZH
	30035637	SP Load Cell V22PWE3T, V22PWE3TZH
	30035638	SP Load Cell V22PWE6T, V22PWE6TZH
	30035639	SP Load Cell V22PWE15T, V22PWE15TZH
7	30035607	SP PCB Module V22
	30089646	SP PCBA, Full Sealed, V22PW (improve version)
8	30035591	SP Housing Bottom V22PW V41PW
	30089649	SP Housing Bottom, Rib, V22PW V41PW (improve version)
9	72198198	SP Lead Acid Battery 6V 5AH
10	30035597	SP Cover Batt V22 V41
11	30035606	SP Feet Kit R21 R31 V71 V22 V41
12	30035635	SP Mech 2-Key Module V22
13	30035617	Function Label Front V22PW Chinese
	30043179	Function Label Front V22 English
	30035627	Function Label Front V22 Korea
	30035628	Function Label Front V22 Japan
14	30035598	SP Power Socket Kit V22 V41
15	30035611	SP Hardware Kit V22 V41
16	30035599	SP Level Bubble kit V22 V41
NA	30035604	SP Packaging Box Carton V22 V41
NA	30035605	SP Packaging complete V22PW V41PW
NA	46001802	SP Power Adapter body
NA	46001780	SP Power Adapter (all plugs)



Part numbers are subject to change without notice.

Drawing Item	Part Number	Description
1	30035595	SP Pan SST V22 V41
2	30035592	SP Pan Plastic V22 V41
3	30035619	Overlay rear V22XW
4	30035612	SP Housing Top V22XW V41XW
5	30035594	SP Spider V22 V41
6	30035636	SP Load Cell V22 1.5kg
	30035637	SP Load Cell V22 3kg
	30035638	SP Load Cell V22 6kg
	30035639	SP Load Cell V22 15kg
7	30089642	SP PCB Module V22XW
	30089647	SP PCBA Full Sealed, V22XW (improve version)
8	30035614	SP Housing Bottom V22XW V41XW
	30089650	SP Housing Bottom, Rib, V22XW V41XW (improve version)
9	72198198	SP Lead Acid Battery 6V 5AH
10	30035597	SP Cover Batt V22 V41
11	30035606	SP Feet Kit R21 R31 V71 V22 V41
12	30035634	SP Mech 4-Key Module V41 V22XW
13	30089583	Function Label Front EN V22XW
	30089584	Function Label Front KR V22XW
	30089585	Function Label Front RU V22XW
14	30035613	SP Front Module V22XW V41XW
15	30035598	SP Power Socket Kit V22 V41
16	30035611	SP Hardware Kit V22 V41
17	30035599	SP Level Bubble kit V22 V41
NA	30035604	SP Packaging Box Carton V22 V41
NA	30035605	SP Packaging complete V22PW V41PW
NA	46001802	SP Power Adapter body
NA	46001780	SP Power Adapter (all plugs)

