



Fix tilt mirror with welded corners:

- Standard Model 740-1830 (18" x 30") **Bradex**<sup>®</sup>
- Standard Model 740-1836 (18" x 36") **Bradex**<sup>®</sup>
- Standard Model 740-2436 (24" x 36") **Bradex**<sup>®</sup>
- Model 740-XXXX (Specify width and height)

Product Materials

**FRAME:** 20 gauge stainless steel, corners welded and ground smooth to satin finish. 20 gauge angle stiffeners welded to frame provide additional rigidity.

**BACK:** galvanized steel, secured to frame with concealed screws equipped with integral horizontal hanging brackets.

**MIRROR:** first quality 1/4" float glass, thermosetting infrared-cured paint backing with Poly-Glaze protective finish. Manufactured in accordance with ASTM C 1036 and ASTM C 1503. The back of the mirror is protected by a wedge of extruded polystyrene, which is placed between the mirror and the galvanized steel.

**WALL HANGER:** 18 gauge cold-rolled steel, all welded construction to form rigid template.



Optional Features

Features	Suffix
1/4" tempered glass mirror in lieu of polished float glass mirror*	-2
Laminate glass	-3
Highly polished No. 8 architectural finish, 20 gauge stainless steel in lieu of polished float glass mirror	-4
Bright annealed 20 gauge stainless steel in lieu of polished float glass mirror	-5
Plexiglas <sup>®</sup>	-6

\*Either the Length (L) or the Width (W) must be greater than 25".

- An inherent characteristic of a manufacturing process for tempered glass is distortion which may vary from mirror to mirror.
- Stainless steel mirrors will differ in optic quality from glass mirrors.
- In larger sizes, stainless mirrors are subject to distortion and/or "oil canning" for which Bradley Corporation cannot accept responsibility.
- Bradley mirrors are not field interchangeable from horizontal to vertical or vice versa. **Always specify width first.**

Installation

Verify all rough-in dimensions prior to installation. Secure concealed mounting bracket to wall with screws (not included) at holes provided. Provide in-wall backing at mounting screw locations. Position mirror over mounting bracket to engage hanger tabs. Slide mirror down and lock into position.

Orders composed of products indicated as **Bradex**<sup>®</sup> will be available to ship in three days after receipt of order at the factory. There is no pricing penalty for this service from Bradley.

Guide Specification

Fixed tilt mirror shall be framed with 20 gauge stainless steel with 20 gauge concealed stiffeners. Welded corners shall be polished to a uniform satin finish. Mirror shall be of first quality 1/4" float glass guaranteed for 15 years against silver spoilage and protected by a shock-absorbing, waterproof foam filler with Poly-Glaze protective finish. Back of unit shall be galvanized steel secured to frame with concealed screws, equipped with integral horizontal hanging brackets and separate wall hanger for concealed mounting.

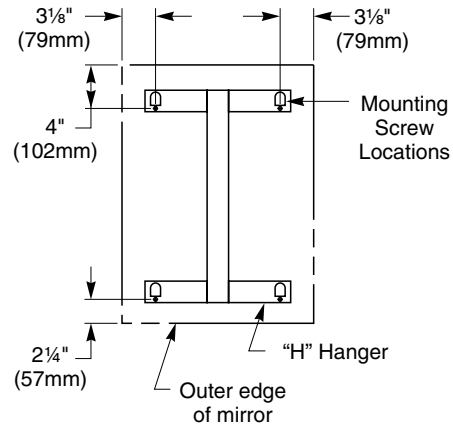
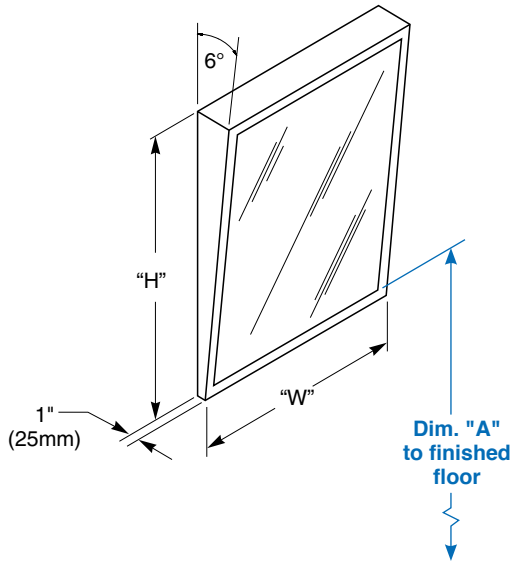
**Fixed Tilt Framed Mirror shall be Bradley Model 740-\_\_\_\_\_ " W x \_\_\_\_\_ " H (specify width and height).**

ADA Compliant

- Consult local and national accessibility codes for proper installation guidelines.
- Conformity and compliance to local and national codes is the responsibility of the installer.



**Dimensions**



**Bradex® Models**

Width (Inches) W	Height (Inches) H	Overall Dimension (Inches)	Overall Dimensions (Millimeters)	Standard Model Number
18"	30"	18 x 30	457 x 762	740-1830
18"	36"	18 x 36	457 x 914	740-1836
24"	36"	24 x 36	610 x 914	740-2436

Model 740 series angle framed mirrors can be fabricated to a maximum size of 48"W x 48"H.

<b>Dim. "A" Key Surface:</b>	For Dim. "A"	Bottom of Unit
Mirror's bottom edge of the reflecting surface to finished floor	40" (1016mm)	39 1/4" (997mm)
	37" (940mm)	36 1/4" (921mm)
	34" (864mm)	33 1/4" (845mm)
<b>Rough wall opening:</b>		
Surface Mount:	No rough wall opening, see overall dimensions	

Orders composed of products indicated as **Bradex®** will be available to ship in three days after receipt of order at the factory. There is no pricing penalty for this service from Bradley.