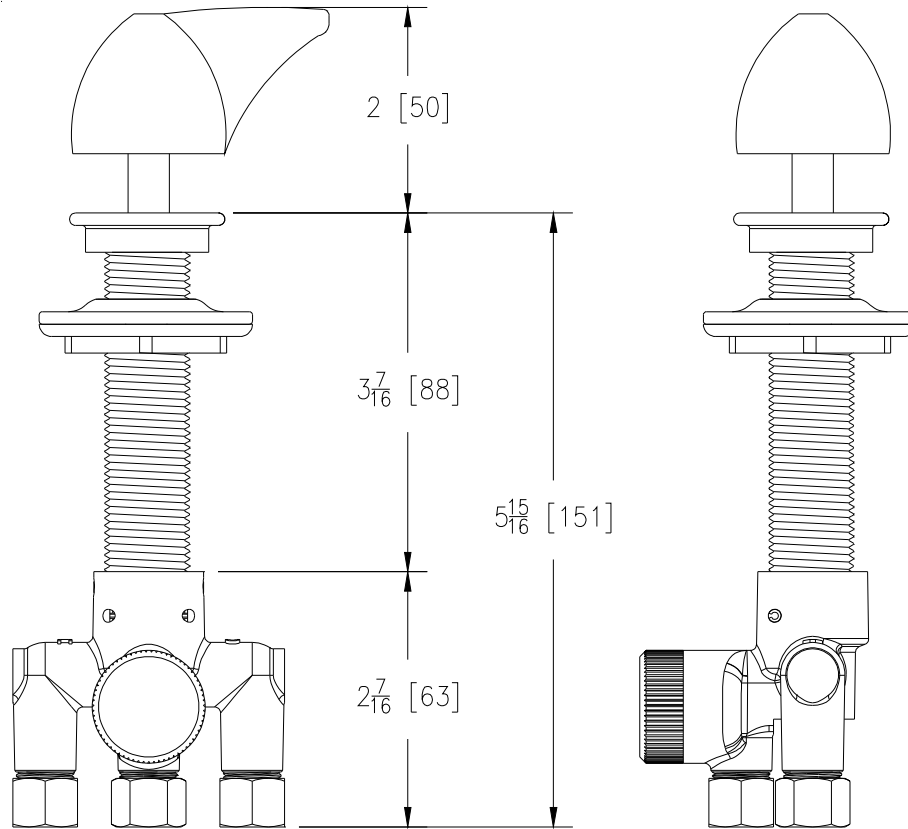




P6900-ADM-XL Above Deck Mixer for Sensor Faucets



Suffix Options (Check/Specify Appropriate Options)

- H1 2 1/2" Lever Handle
- H2 3" Dia Four Arm Handle
- H4 4" Wrist Blade Handle
- SH Supply Hoses for Mixing Valve
- _____ Other

Zurn Lead Compliant products (-XL) are manufactured to comply with state laws and local codes that mandate lead content levels less than one quarter of one percent (0.25%) total lead content by weighted average.

ENGINEERING SPECIFICATION:

ZURN P6900-ADM-XL Above Deck Mixing Valve- The above deck mixing valve provides above the deck temperature adjustment by the user. The valve is furnished complete with polished and chrome plated dome lever handle, integral filter and 3/8" compression fitting inlets and outlets. Internal check valves are provided on the hot and cold inlets. Recommended mounting through hole is 1 1/8" diameter +/- 1/8"

ZURN INDUSTRIES, LLC. ♦ COMMERCIAL BRASS OPERATION ♦ 5900 ELWIN BUCHANAN DRIVE ♦ SANFORD NC 27330

Phone: 1-800-997-3876 ♦ Fax: 919-775-3541 ♦ World Wide Web: www.zurn.com

In Canada: ZURN INDUSTRIES LIMITED ♦ 3544 Nashua Drive ♦ Mississauga, Ontario L4V1L2 ♦ Phone: 905-405-8272 Fax: 905-405-1292