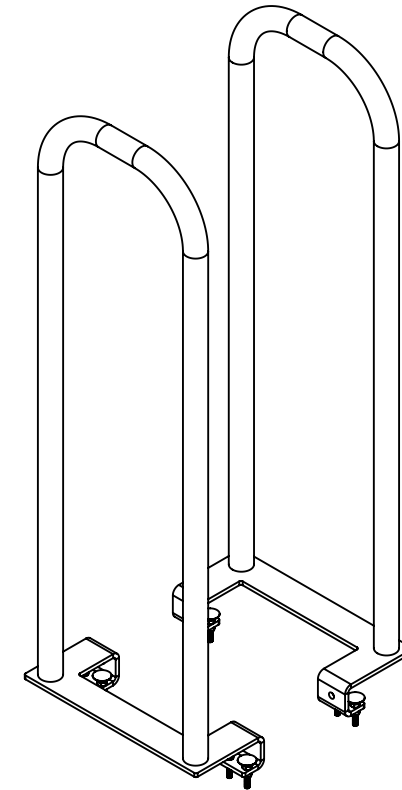
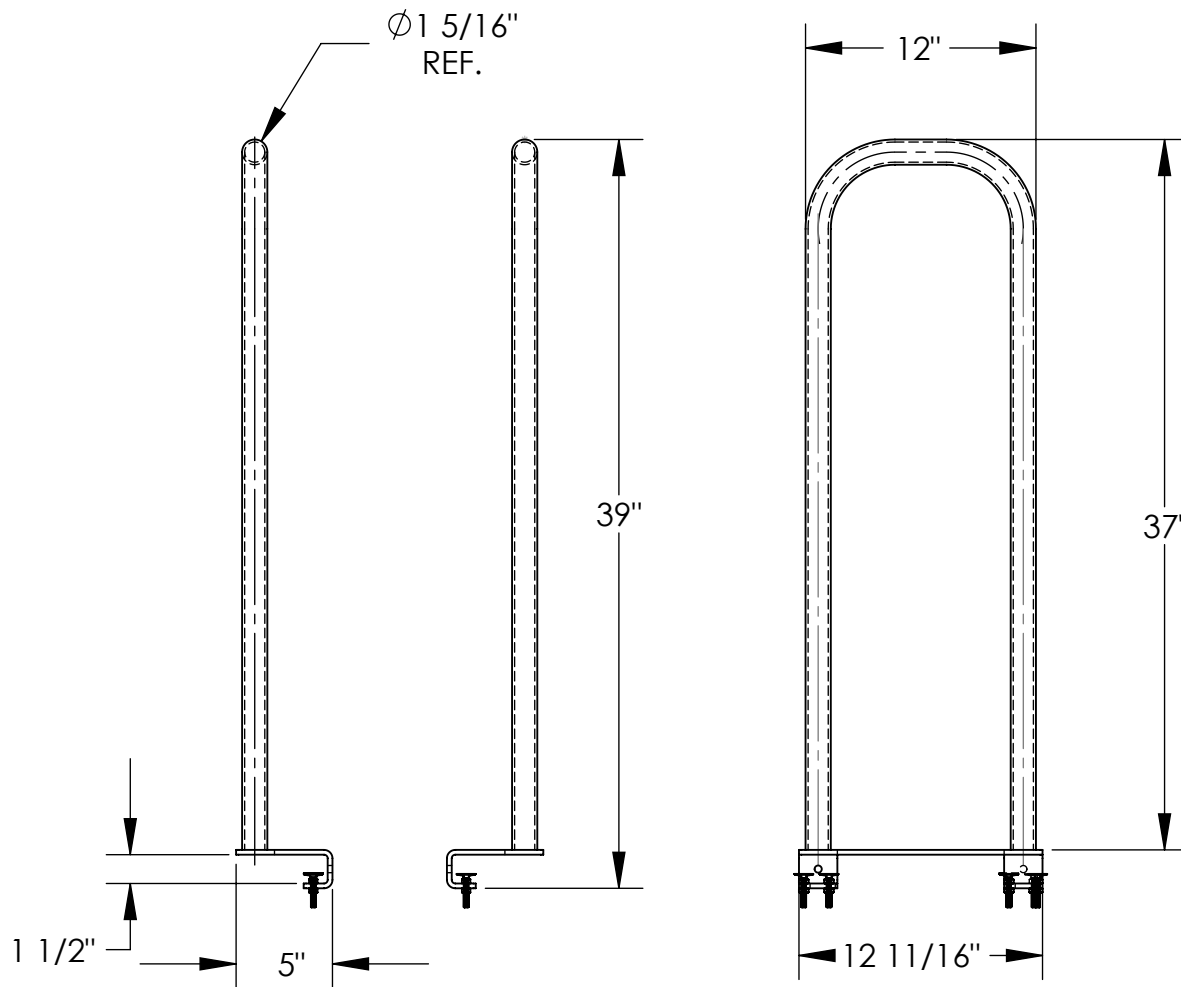


# DOLLY CONVERTER - D-CNVR-250

APPROX WEIGHT: 29.03 lbs.  
 DOES NOT INCLUDE WEIGHT OF POWER OR PACKAGING!!!

\*\*\* ANY ADDITIONS, DELETIONS, OR OMISSIONS MUST BE CORRECTED ON THIS DRAWING AS THIS DRAWING WILL BE CONSIDERED ALL INCLUSIVE \*\*\*  
 ALL GRAPHICS PROVIDED ARE FOR REFERENCE ONLY. IF CERTAIN DIMENSIONS ARE CRITICAL PLEASE VERIFY THOSE DIMENSIONS WITH YOUR SALESPERSON



NOTE: SOLD AS A SET

## STANDARD FEATURES

MODEL NUMBER IS D-CNVR-250  
 CAPACITY IS 250 LBS.  
 USABLE WIDTH IS 12"  
 USABLE HEIGHT IS 37"  
 OVERALL WIDTH IS  $12 \frac{11}{16}$ "  
 OVERALL DEPTH IS 5"  
 OVERALL HEIGHT IS 39"

## SPECIAL FEATURES

NONE

<b>APPROVAL</b>	I, THE UNDERSIGNED, AGREE THAT THE PRODUCT AS REPRESENTED SATISFIES DESIGN AND DIMENSION REQUIREMENTS. I ALSO ACKNOWLEDGE MY DUTY TO CONFIRM PRODUCT AND INSTALLATION COMPLIANCE WITH ALL APPLICABLE FEDERAL, STATE AND LOCAL REGULATIONS AND STANDARDS.	
	<b>ALL SPECIAL UNITS ARE NON-RETURNABLE</b>	
	[ ] As drawn [ ] As marked	
Signed: _____		Date: _____
LEAD TIME WILL START UPON RECEIPT OF SIGNED APPROVAL DRAWING		

DISTRIBUTOR'S NAME:		P.O.#
VESTIL MANUFACTURING		X
DRAWN BY: S. ROSE		DATE: 07/18/07
REFERENCE: X		SCALE: 1:10
QUOTED LEAD TIME: X		QUOTE # X
		SALES: X
		FILE NAME: 16-007-144