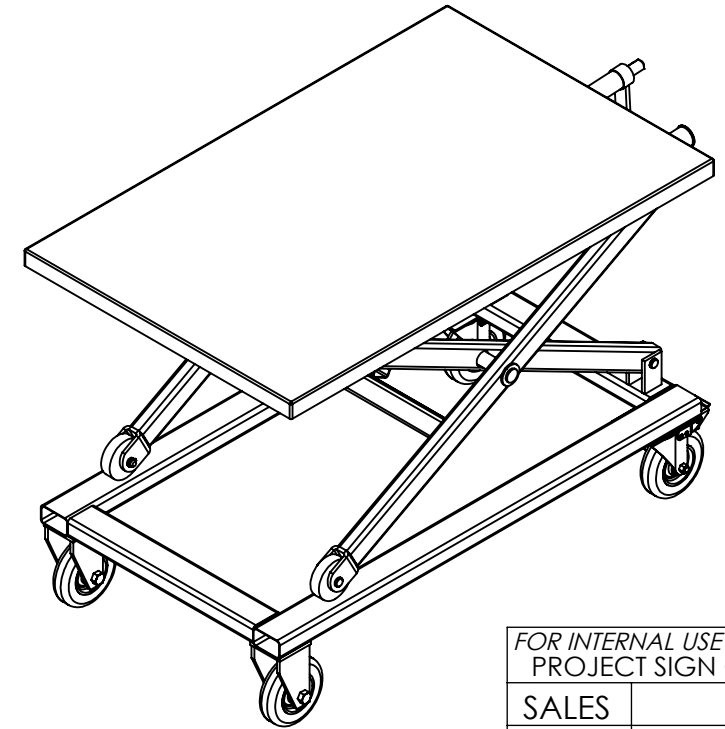
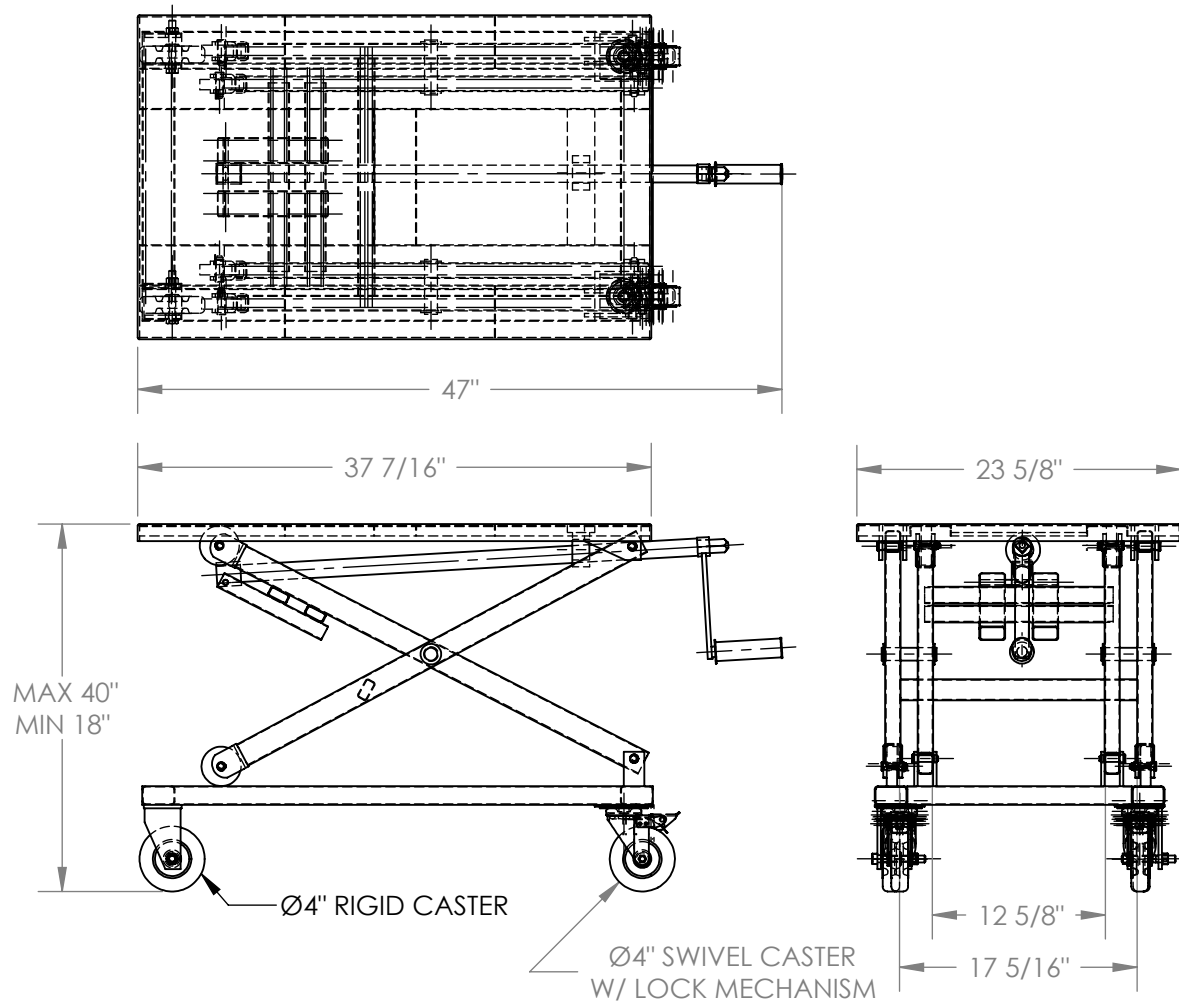


MECHANICAL LIFT TABLE - CART-660-M

APPROX WEIGHT: 106.08 lbs.
 DOES NOT INCLUDE WEIGHT OF POWER OR PACKAGING!!!

*** ANY ADDITIONS, DELETIONS, OR OMISSIONS MUST BE CORRECTED ON THIS DRAWING AS THIS DRAWING WILL BE CONSIDERED ALL INCLUSIVE ***

ALL GRAPHICS PROVIDED ARE FOR REFERENCE ONLY. IF CERTAIN DIMENSIONS ARE CRITICAL PLEASE VERIFY THOSE DIMENSIONS WITH YOUR SALESPERSON



FOR INTERNAL USE ONLY PROJECT SIGN OFF	
SALES	
ENG.	
FAB.	
POWER	

APPROVAL

I, THE UNDERSIGNED, AGREE THAT THE PRODUCT AS REPRESENTED SATISFIES DESIGN AND DIMENSION REQUIREMENTS. I ALSO ACKNOWLEDGE MY DUTY TO CONFIRM PRODUCT AND INSTALLATION COMPLIANCE WITH ALL APPLICABLE FEDERAL, STATE AND LOCAL REGULATIONS AND STANDARDS.

ANY MODIFIED UNITS ARE NON-RETURNABLE

[] As drawn [] As marked

Signed: _____ Date: _____

Printed Name: _____

LEAD TIME WILL START UPON RECEIPT OF SIGNED APPROVAL DRAWING

DISTRIBUTOR'S NAME:		P.O.#
VESTIL MANUFACTURING		X
DRAWN BY: CRM		DATE: 09/16/2010
REFERENCE: X		SALES: X
QUOTED LEAD TIME: X		SCALE: 1:14
QUOTE # X		FILE NAME: 01-007-082

STANDARD FEATURES

- MODEL NUMBER IS CART-660-M
- OVERALL WIDTH IS 23 5/8"
- OVERALL LENGTH IS 47", USABLE LENGTH IS 37 7/16"
- MAX HEIGHT IS 40", MIN HEIGHT IS 18"
- MAX CAPACITY IS 660 LBS
- REMOVABLE HANDLE
- VERTICAL TRAVEL PER HANDLE REVOLUTION IS 5/16" - 3/8"
- FORCE REQUIRED TO RAISE MAX CAPACITY LOAD IS 25lb - 30lb

SPECIAL FEATURES

NONE