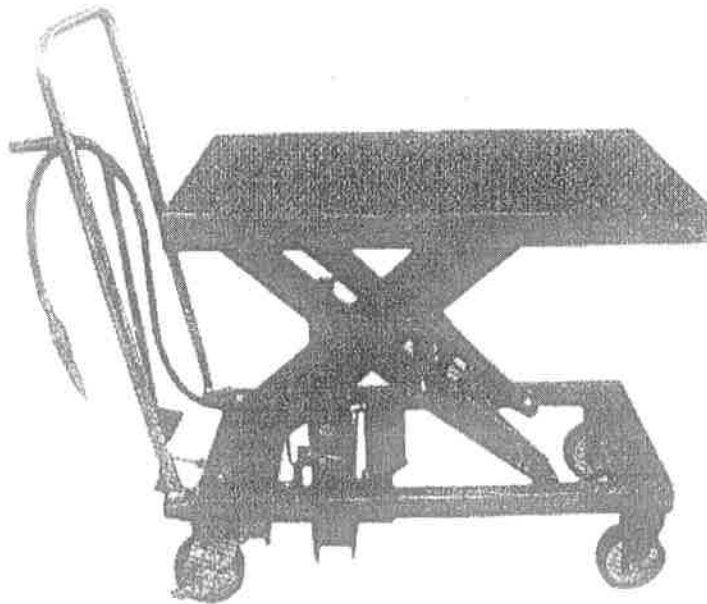


# PNEUMATIC AND HYDRAULIC DOUBLE-FUNCTION

## TABLE TRUCK INSTRUCTION MANUAL



**Model:** AIR-1000-AIR  
AIR-1000-LD-AIR

# DOUBLE-FUNCTION TABLE TRUCK

## PNEUMATIC AND HYDRAULIC

### I. Use & applicable range and Characteristics:

Our company takes the high technique from international to make this new product. Its characteristics is: you can take the pneumatic installation to lift the table when there is air pump. You can take hand-hydraulic installation to lift the table when there is no air pump. This new products has double function with pneumatic and hydraulic lifting. But when there is air pump, you can pneumatic installation is more economical and safe than electric installation.

### II. Basic Data

Model	AIR-1000	AIR-1000-LD
Load Capacity (kg)	500	500
Lowest Height(mm)	349	349
Lift Height (mm)	900	900
Table Dimensions (mm)	1000X512X55	1600×800×55
Air Pressure (kg/cm)	≥6	≥8

### III. Product Instruction

#### 1. Assembly

This series products are pneumatic and hydraulic double-function table truck with load capacity 500kg. The whole carts including Hydraulic Cylinder Assembly (1), Valve Air Cylinder Assembly (2), Frame Assembly, Link Assembly and Platform Assembly. There are two swivel casters and two fix casters under the frame to support the work pressure. The valve air cylinder is installed on the frame, and the platform installed on the top of the cart. The link assembly fixed between the platform and the frame. In the middle of the two links install the hydraulic cylinder. The hydraulic cylinder connected with valve by the high pressure oil pipe.

### IV. Structure

(1) Air Cylinder and Hydraulic Cylinder are the heart of the lift table truck which include two parts pneumatic lift structure and foot pedal pump lift structure. When the air cylinder with air, the piston will draw the lift pump work and lift the table. Without the air, you can lift table by foot pedal. There are two speed to lift the cart by foot pedal. When loading the goods, you can only take slow speed to lift the table. The high pressure oil will flow into the hydraulic cylinder by oil pipe. Once the table arrives the max height, the cart will stop.

- (2) Cart Holder Assembly: The link assembly installed on the frame and installed the platform on the link. The table for the cart which lift up and down by the two links connect the hydraulic cylinder.
- (3) Discharge Structure: Step the foot pedal by foot to discharge the table, and the table will keep the some location when take away your foot. The structure has replacement installation.
- (4) Wheel Assembly: There are four casters in one cart, two swivel casters and two fix casters. The swivel casters have brake. The brake can fix the cart.

## **V. Pneumatic and Hydraulic System**

The supply oil structure take pneumatic and hydraulic two-function. When the air cylinder has air which will push the lift pump absorb oil and press oil and to lift the table. There are two speed functions by foot pedal to lift the table. The two speed functions are both to lift the table by high pressure absorb oil. When over the rate capacity, the safe valve will open to overflow oil to avoid the system be damaged.

## **VI. Lubricate**

1. The hydraulic system adopts machinery oil #32 and immit the ZG-5 lubricate oil into the oil mouth. Please change the oil every three month at the first half-year, and then change the oil every six month.
2. The lubricate oil should no solid matter, acidity and water.

## **VII. Using**

1. Please install the handle and foot pedal rod before using the cart.
2. Please fix the cart by step the brake on the caster and test the cart without loading.
3. Please connect the air pipe before use the pneumatic. And open the switch of pneumatic, the table will lift up. Or you can step the foot pedal to lift the table without pneumatic.
4. When lowering down, please step the discharge foot pedal.

## **VIII. Warning!**

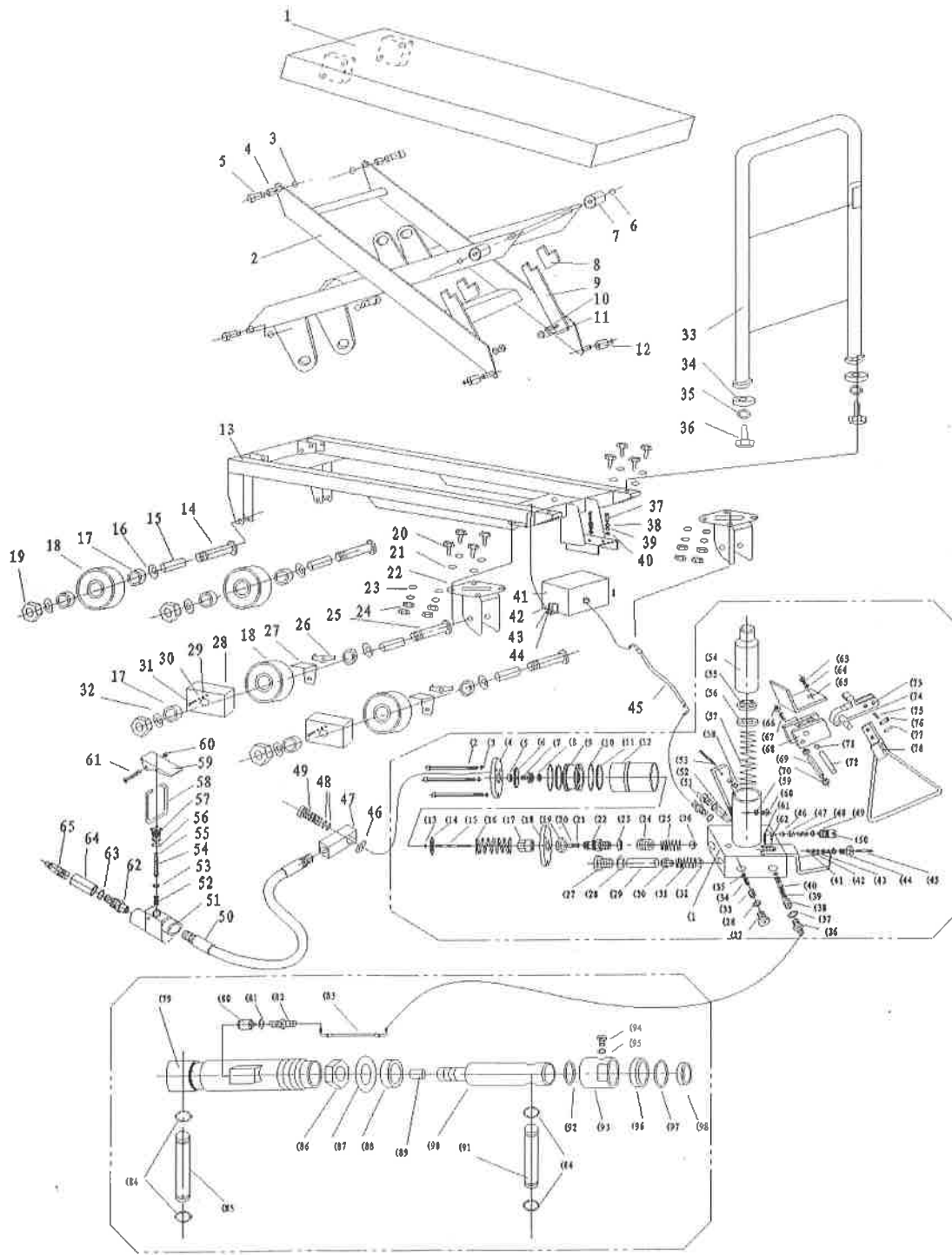
1. Operate strictly according to the instruction manual.
2. Please load the goods in its rated capacity.
3. Do not allow people to sit or ride on the cart.
4. Keep feet and hand away from under the lowering table. Suggest to wear safety shoes during operation.
5. When the table lowering down, please not put the foot on the brake of the caster.
6. The goods can not put any position of the table, but on the table 80% area.
7. Do not use the cart on slop.
8. Please not move the cart when the table at the top position and with heavy goods.
9. Failure to operate the cart will cause the damage to the person health or property loss.

## Maintenance and Trouble shooting

1. Keep oil clean. Check the oil reservoir in the hydraulic cylinder before operate and replenish reservoir if oil does not reach 2/3 of the capacity.
2. Trouble shooting

Trouble	Cause	Action
Table does not rise	No oil	Replenish oil
	Bring up the empty site.	Set open the M5 hex cap nut, and step the foot pedal to fix the screw.
	Check valve does not replacement.	Clean steel ball in the check valve and re-assembly.
	Single valve does not replacement	1. When the table can not lift up by pneumatic, please clean the steel ball and re-assembly. 2. When the table can not lift up by foot pedal, please clean the steel ball and re-assembly.
Table does not lowering down	The top rod of discharge single valve can not stand out.	Check the length of top rod, and re-assembly.
	The hole of lowering valve be air-logged.	Take down the lowering valve to clean carefully and then re-assembly or replace.
Oil leaks from pump cylinder	Oil seal in the pump cylinder was worn out.	Replace the oil seal UHS25 and DH25.
Hydraulic cylinder can not bearing	Oil seal in the cylinder was worn out	Replace oil seal UHS10.
	The high pressure oil pipe and the joint worn out	Replace the high pressure oil pipe.

# AIR-1000 AIR-1000-LD



## Pneumatic and Hydraulic Table Truck

No.	Description	Q'ty	No.	Description	Q'ty	No.	Description	Q'ty
1	Table	1	56	O-ring	1	(45)	Top Rod	1
2	Link Assembly	1	57	Plug	1	(46)	Steel Ball	1
3	C-ring	4	58	C-ring	1	(47)	Spring Seat	1
4	Bushing	4	59	Switch Wrench	1	(48)	Adjust Pressure Spring	1
5	Shaft	4	60	Set Nut	1	(49)	O-ring	1
6	C-ring	4	61	Screw	1	(50)	Adjust Pressure Spring	1
7	Up Roller Guide	2	62	Plug Tie-in	1	(51)	Plug	1
8	Rubber Cover	2	63	O-ring	1	(52)	Lowering Valve	1
9	Support Rod	2	64	Enter Air Mouth	1	(53)	Spring Pin	1
10	Washer	2	65	Tie-in	1	(54)	Big Pump Piston	1
11	Set Nut	2				(55)	Dust Cover	1
12	Down Roller Guide	2	(1	Valve	1	(56)	Oil Seal	1
13	Frame	1	(2	Hex Cap Bolt	3	(57)	Big Spring	1
14	Hex Cap Bolt	2	(3	Spring Washer	3	(58)	Bushing	1
15	Shaft Cover	2	(4	Top Nut	1	(59)	O-ring	1
16	Dust Cover	2	(5	Rubber Cover	1	(60)	Hex Cap Bolt	1
17	Bearing	8	(6	Piston Cover	1	(61)	Spring Pin	1
18	Wheel	7	(7	Small Piston	1	(62)	Screw	1
19	Set Nut	4	(8	Oil Seal	1	(63)	Screw	1
20	Hex Cap Bolt	8	(9	Big Piston	1	(64)	Flat Washer	1
21	Flat Washer	8	(10	O-ring	2	(65)	Stop Block	1
22	Swivel Wheel Holder	2	(11	Rubber O-ring	2	(66)	Steel Ball	1
23	Spring Washer	8	(12	Cylinder Body	1	(67)	Spring	1
24	Hex Cap Bolt	8	(13	Hex Cap Nut	1	(68)	Link Block	1
25	Hex Cap Bolt	2	(14	Spring Seat	1	(69)	Shaft	2
26	Brake Pedal	2	(15	Small Lift Piston	1	(70)	Bushing	1
27	Brake Slice	2	(16	Big Spring	1	(71)	Bushing	1
28	Protect Cover	2	(17	Plug Cover	1	(72)	Shaft	1
29	Flat Washer	2	(18	Cylinder Body	1	(73)	Press Wheel Seat	1
30	Spring Washer	2	(19	Hex Cap Nut	1	(74)	Press Wheel	1
31	Semicircle Screw	2	(20	Bushing	1	(75)	Pin	1
32	Bushing	2	(21	Oil Seal	1	(76)	Shaft	1
33	Handle	1	(22	Pump Cylinder Body	1	(77)	Shaft	1
34	Big Washer	2	(23	O-ring	1	(78)	Foot Pedal Petiole	1
35	Spring Washer	2	(24	Plug Cover	1	(79)	Cylinder	1
36	Hex Cap Bolt	2	(25	Taper Spring	1	(80)	Safe Valve	1
37	Hex Cap Bolt	2	(26	Steel Ball	1	(81)	O-ring	1
38	Flat Washer	2	(27	Hex Cap Plug	2	(82)	Oil Pipe Tie-in	1
39	Spring Washer	2	(28	O-ring	2	(83)	High Press Oil Pipe	1
40	Hex Cap Nut	2	(29	Fix Shaft	1	(84)	C-ring	4
41	Oil Box	1	(30	Spring Seat	1	(85)	Shaft	1
42	Hex Cap Bolt	2	(31	Spring	1	(86)	Nut	1
43	Spring Washer	2	(32	Steel Ball	1	(87)	Washer	1
44	Hex Cap Nut	2	(33	Plug Cover	1	(88)	Oil Seal	1
45	Oil Pipe	1	(34	Taper Spring	1	(89)	Piston	1
46	Lock Pin	1	(35	Steel Ball	1	(90)	Lift Piston	1
47	Air Pipe Tie-in	1	(36	Oil Pipe Tie-in	2	(91)	Shaft	1
48	O-ring	2	(37	O-ring	2	(92)	O-ring	1
49	Plug	1	(38	Plug	1	(93)	Top Nut	1
50	Air Pipe	1	(39	Spring	1	(94)	Plug	1
51	Enter Air	1	(40	Steel Ball	1	(95)	O-ring	1
52	Spring	1	(41	C-ring	1	(96)	Oil Seal	1
53	Oil Seal	1	(42	O-ring	2	(97)	O-ring	1
54	Valve Core	1	(43	O-ring	1	(98)	Dust Cover	1