



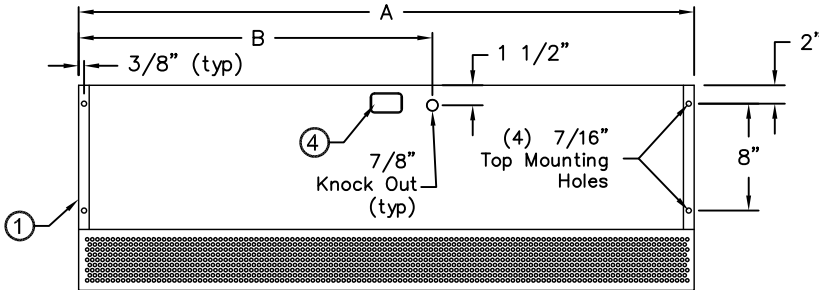
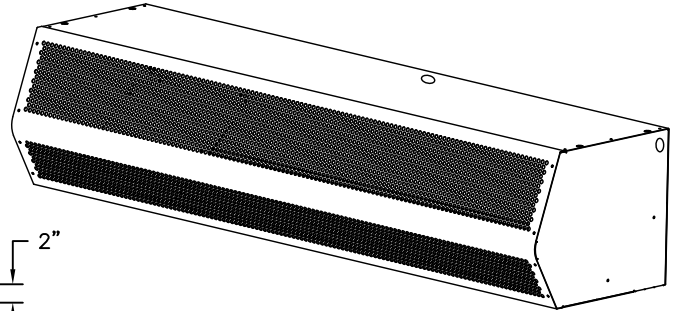
atmosphere is everything

14716 S. Broadway • Gardena, CA 90248 • USA
 TEL:(310) 532-1555 • (800) 421-1266 • FAX:(310) 324-3030
 Web Site: www.marsair.com • E-mail: info@marsair.com

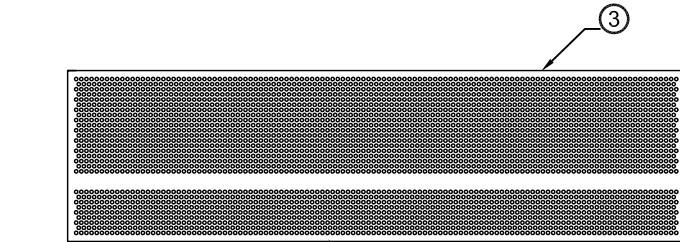
PROJECT		OPTIONS/ITEMS	
TITLE			
COMMENTS		DATE 9/17/15	PAGE
		REV. NO	
MODEL NO. EP2 Series	DRAWING NO EP2U-F	DRAWN BY TVN	CHECKED BY
		FILE NAME	

Unheated Drawing

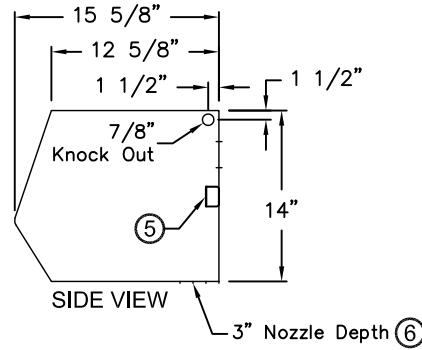
EP2 (Extra Power 2) Series



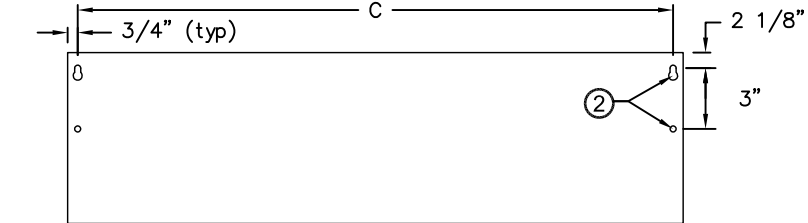
TOP VIEW



FRONT VIEW



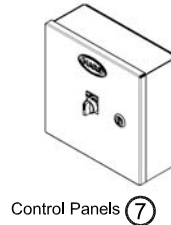
SIDE VIEW



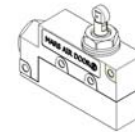
REAR VIEW



⑧ Recommended Accessories



Control Panels ⑦



Door Limit Switches



Brackets

*- Use corresponding letters in "Electrical Data" columns to complete the model numbers.

Notes:

- This product is designed to meet the National Electric Code (NEC), ETL Safety Listed for the US and Canada.
- (2) 1/2" key hole slots and (2) 7/16" mounting holes provided on for wall mounting and (4) 7/16" mounting holes for overhead mounting provided, (2) on each end.
- All units have a self contained one piece cabinet, fire retardant and corrosion proof paint lock metal double protected with baked on Titanium Silver color, rust preventative electrostatic polyurethane powder coating.
- Cabinet has sufficient strength for fastening to wall on both ends without intermediate support.
- Internal J-Box(es) for electrical wiring: one motor-(1) 2"x 4"; two motors-(1) 4"x 4"; three motors-(2) 4"x 4".
- Unit is to be installed such that air flow is unobstructed. Air discharge nozzle containing adjustable air directional vanes with 40° sweep front to back.
- Circuit protection as per NEC by others.
- Optional motor control panel, door limit switch and mounting brackets are field installed and/or wired by others. The door limit switch is to be mounted such that the air curtain turns on as door begins to open. To prevent unit damage, the mounting brackets must be installed such that the bottom of the air curtain is not below the door header.

MODEL NUMBER	OVERALL LENGTH A (in)	KNOCKOUT LOCATION B (in)	REAR MOUNTING CENTER C (in)
EP296-2U*-TS	96	52	94 1/2
EP2108-2U*-TS	108	58	106 1/2
EP2120-2U*-TS	120	64	118 1/2
EP2120-3U*-TS	120	64	118 1/2
EP2144-3U*-TS	144	76	142 1/2

EP2 (Extra Power 2) Series

Unheated

Model Lengths 96" – 144"



atmosphere is everything

14716 S. BROADWAY, GARDENA, CA 90248 • Ph: (310)532-1555 Fax: (310)-532-3030 • www.marsair.com
© Copyright Mars Air Systems, LLC 2014

Unheated Data Sheet

Applications: Environmental Separation (up to 16') and Insect Control (up to 14')

EP2 (Extra Power) Series 2	Mechanical Data						Lab Data	
Model Number	Nozzle Length (in)	Length (in)	Depth (in)	Height (in)	Motor (hp)	Weight (lbs)	Max Velocity (fpm)	Max Volume (cfm)
EP296-2U*-TS	96	96	16.0	14	Two 3	280	4800	9600
EP2108-2U*-TS	108	108	16.0	14	Two 3	295	4200	9600
EP2120-2U*-TS	120	120	16.0	14	Two 3	305	3840	9600
EP2120-3U*-TS	120	120	16.0	14	Three 3	390	5760	14400
EP2144-3U*-TS	144	144	16.0	14	Three 3	420	4800	14400

* - Use corresponding letters in "Electrical Data" columns to complete the model numbers

Note: Data above for 3450 RPM at 60 Hz, 50 Hz is 2850 RPM with a 17% reduction in the performance data.

Features:

- ❖ 3 HP Continuous Duty TEAO Motors (NEMA 1)
- ❖ Sleek self-contained one-piece heavy gauge corrosion proof paint lock metal design
- ❖ ETL Certified to conform to UL 507 (US) and CSA 22.2 (Canada) Standards (Indoor/Outdoor Use)
- ❖ (4) 7/16" top and wall mounting holes provided, (2) on each end
- ❖ Cabinet has sufficient strength for fastening to wall on both ends without intermediate support
- ❖ Adjustable air directional vanes with 40° sweep front to back
- ❖ Standard color is Titanium Silver
- ❖ Rust preventative electrostatic polyurethane powder coating
- ❖ 5 year parts warranty
- ❖ Freight Included (FOB Continental USA)
- ❖ Proudly Made in the USA

Note: EP2 Series is single speed only and not compatible with VFD.

Mars Recommended Accessories (See Submittals for additional details):

- ❖ Door Limit Switches
 - 99-125, Industrial surface mounted magnetic switch (controller required)
- ❖ Controllers
 - MCPD-+U*, Motor Control Panel, 120V control voltage († = # of Motors, * = Voltage Code)
 - MCP-TD, Adjustable time delay, 1sec-100hr (panel required)
 - MCP-24V, Low voltage control option (panel required)
 - BMS-303, BMS for monitor and control (panel required with MCP-24V)
 - Note: Dry contact provided in panel for monitoring motor. 24Vac signal provided from panel for controlling motor
- ❖ Brackets
 - B0004, Adjustable mounting bracket set, 3 1/2" clearance
 - B0008 to B0011, Extended wall mounting bracket, 10", 16", 19" 23" clearance respectively
- ❖ Severe Duty and Finish
 - HSG-304SS-HV/EP, 304 Stainless steel housing construction
 - INS-WD-EP2, Washdown motor fan assembly, IP54
 - INS-XP-EP2, Explosion resistant motor fan assembly, Class 1, Division 1, Group D (TENV)

Sound Levels: (measured at 10' in an open field)

1 Motor Unit = 76 dBA, 2 Motor Unit = 79 dBA, 3 Motor Unit = 81 dBA

Electrical Data Full Load Amp (FLA)	Unit Voltage (Voltage Code)		
	208/230v/3Ø (G)	460v/3Ø (H)	575v/3Ø (I)
EP296-2U*-TS	16.6/15.2	7.6	6.0
EP2108-2U*-TS	16.6/15.2	7.6	6.0
EP2120-2U*-TS	16.6/15.2	7.6	6.0
EP2120-3U*-TS	24.9/22.8	11.4	9.0
EP2144-3U*-TS	24.9/22.8	11.4	9.0

* - Use corresponding letters in "Electrical Data" columns to complete the model number

Alternate voltage codes with FLA data:

380/415v/3Ø/50Hz (W) - 4.5A per motor

Washdown motor FLA data (INS-WD-EP2):

208/230v/3Ø/60Hz (G) - 7.8/7.6A per motor

460v/3Ø/60Hz (H) - 3.7A per motor

Explosion proof motor FLA data (INS-XP-EP2):

208/230v/3Ø/60Hz (G) - 7.8/7.4A per motor

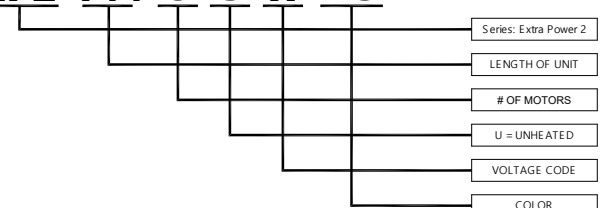
460v/3Ø/60Hz (H) - 3.7A per motor

For total FLA, multiply motor FLA by # of motors; Ampacity (MCA) = total FLA X 1.25



EXAMPLE

EP2 144 - 3 U H - TS



NOTE: MARS AIR SYSTEMS, LLC reserves the right to change specifications and product design without notice. Such revisions do not entitle the buyer to corresponding changes, improvements, additions, or replacements for previously purchased equipment.