

SINGLE DEVICE INSTALLATION

CATALOG NUMBER - NEZ33

Installation in walls for new cabling installations. Installation is easily and quickly accomplished using the following steps:

1. Locate center
2. Drill 4" diameter hole using a circular hole saw (see fig.1)
3. Using outer sleeve as guide, insert in opening and locate the flange mounting holes. Remove sleeve. (see fig.2)
4. Using the hardware supplied, drill appropriate size hole and install anchor. (see fig.3)
5. Insert inner sleeve and secure to wall. Be careful not to over tighten. (see fig.4)
6. On the opposite side of the wall repeat steps 1 - 4 and install the outer sleeve.
7. Apply wall labels after installation.

Note: When installing NEZ33 the EZ-Path® logo needs to be facing you in the upright position and the arrows should be pointing to the top and bottom of the device. For vertical installations, horizontal supports should be installed.

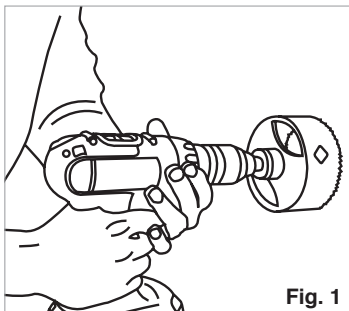


Fig. 1

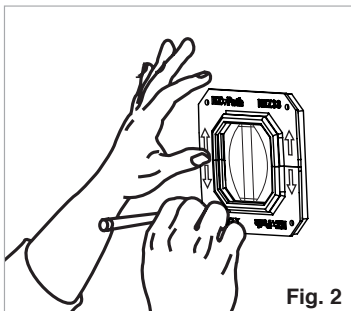


Fig. 2

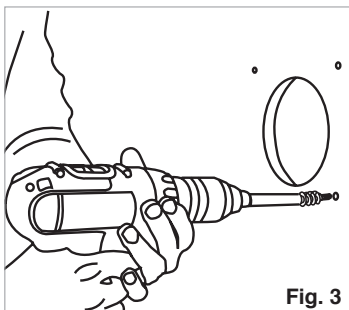


Fig. 3

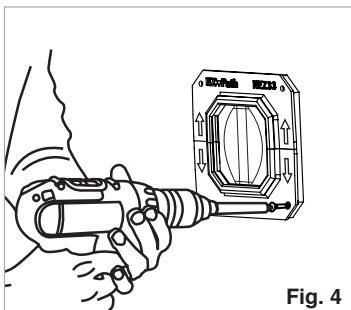


Fig. 4

LIMITED WARRANTY: STI warrants that its products will be free of defects for one year from the date of purchase. In the event a product does not conform to this warranty, the sole and exclusive remedy is, at STI's option, replacement of the product or refund of the purchase price. The warranty provided herein shall be void and of no effect in the event that the product is not installed in accordance with STI's published instructions, listed systems and applicable building and safety codes. THIS WARRANTY IS IN LIEU OF ALL OTHER REPRESENTATIONS AND EXPRESSED OR IMPLIED WARRANTIES (including the implied warranties of merchantability or fitness for a particular use) AND UNDER NO CIRCUMSTANCES SHALL STI BE LIABLE FOR ANY DIRECT, INDIRECT, SPECIAL, INCIDENTAL OR CONSEQUENTIAL DAMAGES OR LOSSES, INCLUDING, WITHOUT LIMITATION, ANY LOSS OF REVENUE, PROFIT OR USE. Prior to use, the user shall determine the suitability of the product for its intended use, and the user assumes all risks and liability for subsequent use. No person other than an officer of STI is authorized to bind STI to any other warranty for any product for which this warranty is issued.

MADE IN THE USA – © 2014 SPECIFIED TECHNOLOGIES INC.

Specified Technologies Inc. • Somerville NJ 08876 USA • Phone: 800.992.1180



Technical Service 1-800-992-1180
www.stifirestop.com

EZ-Path® Smoke & Acoustical Pathway
ZIS1086 • 03/2014

GANG PLATE INSTALLATION

CATALOG NUMBERS - NEZDP233, NEZDP433, NEZP233, NEZP433

Installation in walls for new cabling installations utilizing two or four devices with appropriate wall plates and gaskets. Installation is easily and quickly accomplished using the following steps:

1. Position and mount gang plate to wall. (see fig.1)
 - For 2 gang plate, fasten on 16" (41 cm) centers.
 - For 4 gang plate, fasten on 24" (61 cm) centers.
2. Using the guide markers on the gang plate, draw straight lines to locate centers of each hole. (see fig.2)
3. Drill a 4" (102 mm) diameter hole using a circular hole saw for each device. (see fig.3)
4. Insert outer sleeve in opening and attach to gang plate. (see fig. 4)
5. Press each wall plate attachment hook onto the top and bottom of each device to secure it firmly in place.
6. On the opposite side of the wall repeat steps 1 – 5 installing the inner sleeve instead of the outer sleeve.
7. Apply wall labels after installation.

Note: When installing NEZ33 the EZ-Path® logo needs to be facing you in the upright position and the arrows should be pointing to the top and bottom of the device. For vertical installations, horizontal supports should be installed.

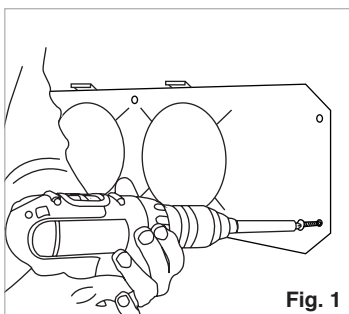


Fig. 1

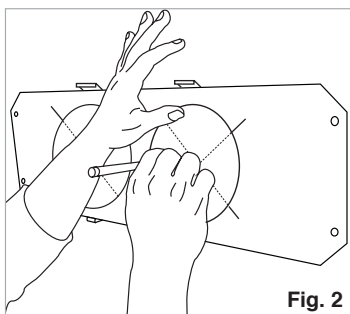


Fig. 2

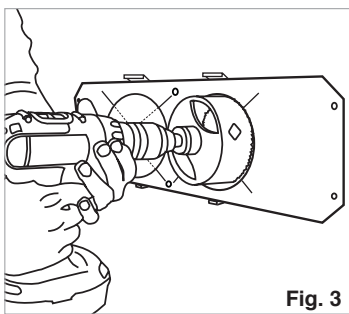


Fig. 3

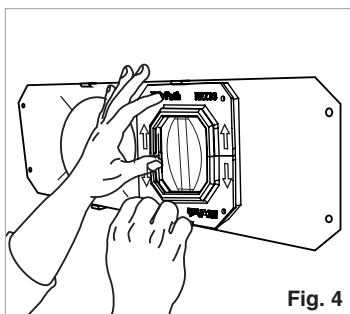


Fig. 4

LIMITED WARRANTY: STI warrants that its products will be free of defects for one year from the date of purchase. In the event a product does not conform to this warranty, the sole and exclusive remedy is, at STI's option, replacement of the product or refund of the purchase price. The warranty provided herein shall be void and of no effect in the event that the product is not installed in accordance with STI's published instructions, listed systems and applicable building and safety codes. THIS WARRANTY IS IN LIEU OF ALL OTHER REPRESENTATIONS AND EXPRESSED OR IMPLIED WARRANTIES (including the implied warranties of merchantability or fitness for a particular use) AND UNDER NO CIRCUMSTANCES SHALL STI BE LIABLE FOR ANY DIRECT, INDIRECT, SPECIAL, INCIDENTAL OR CONSEQUENTIAL DAMAGES OR LOSSES, INCLUDING, WITHOUT LIMITATION, ANY LOSS OF REVENUE, PROFIT OR USE. Prior to use, the user shall determine the suitability of the product for its intended use, and the user assumes all risks and liability for subsequent use. No person other than an officer of STI is authorized to bind STI to any other warranty for any product for which this warranty is issued.

MADE IN THE USA – © 2014 SPECIFIED TECHNOLOGIES INC.

Specified Technologies Inc. • Somerville NJ 08876 USA •

