

OVERVIEW

The Endurance 4 Shelf Wall Mount is a versatile, heavy duty shelf that is ideal for continuous, intensive use in correctional or institutional environments. **Manufactured to ISO Quality Standards in the USA.**

FABRICATION/MATERIAL

Durable, one piece, rotationally molded design for increased strength. Constructed of high impact polyethylene. No steel or wood components. Flame Retardant (as shown passes Cal 133). Test reports available upon request.

COLOR Black, Blue Gray, Brown, Green, Slate Blue, custom colors available upon request.

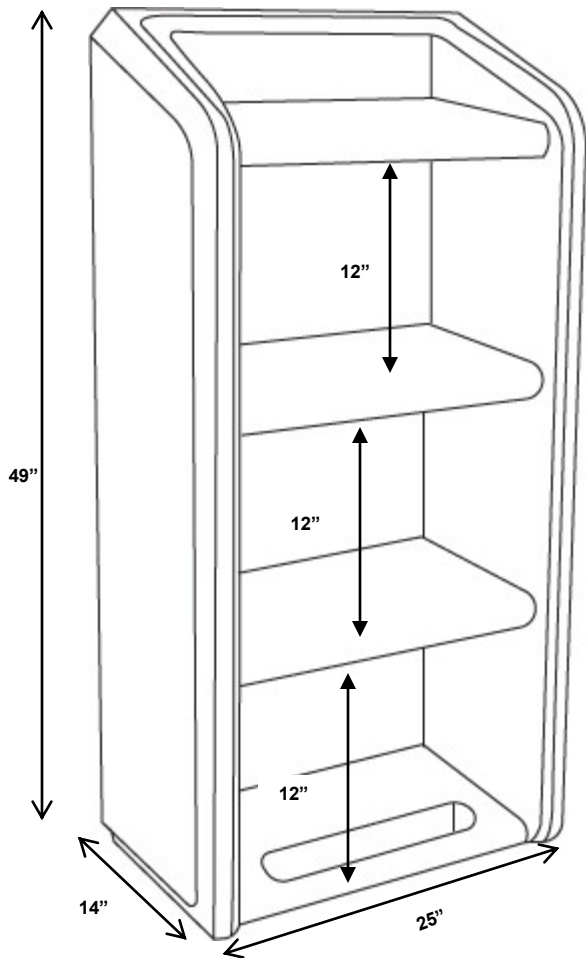
WEIGHT 48 lbs.

OPTIONS N/A

ASSEMBLY Bolt to the wall via concealed pilot holes with hardware of your choice.

WARRANTY 10 Year Warranty.

MAINTENANCE Easy to clean and maintain with damp cloth. Resistant to stains.



Item #	Color
7101BK	Black FR
7101SB	Slate Blue FR
7101GN	Green FR
7101BN	Brown FR
7101G	Blue Gray FR

ENDURANCE 4 SHELF WALL MOUNT BOLT LOCATIONS

