

OVERVIEW

The Endurance Open Chest is a versatile, heavy duty stand for open storage and is ideal for continuous, intensive use in correctional or institutional environments. **Manufactured to ISO Quality Standards in the USA.**

FABRICATION/MATERIAL

Durable, one piece, rotationally molded design for increased strength. Constructed of high impact polyethylene. No steel or wood components. Flame Retardant (as shown passes Cal 133). Test reports available upon request.

COLOR Black, Blue Gray, Brown, Green, Slate Blue, custom colors available upon request.

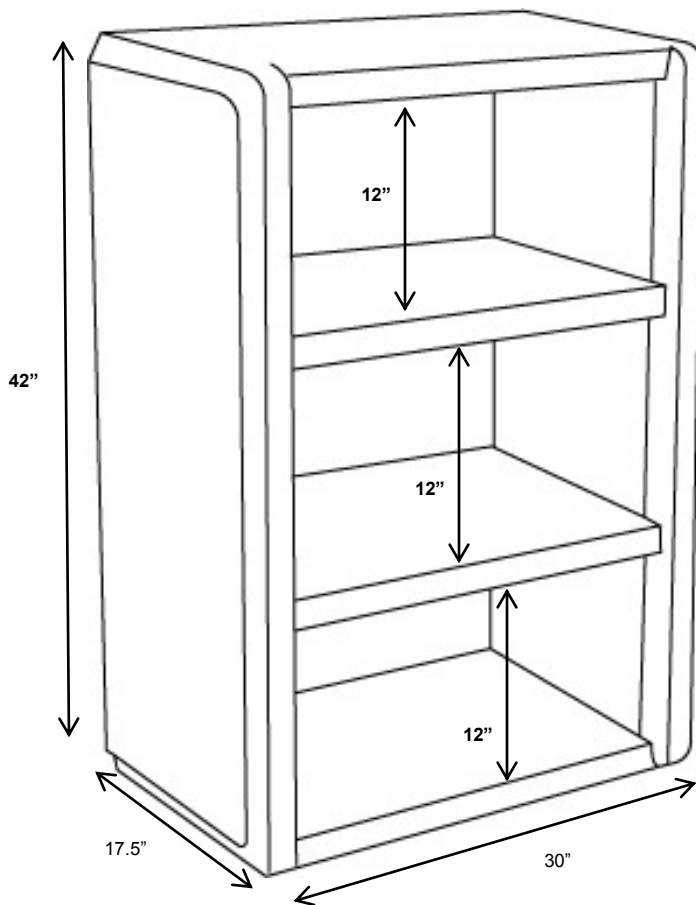
WEIGHT 58 lbs

OPTIONS N/A

ASSEMBLY Bolt to the wall via concealed pilot holes with hardware of your choice.

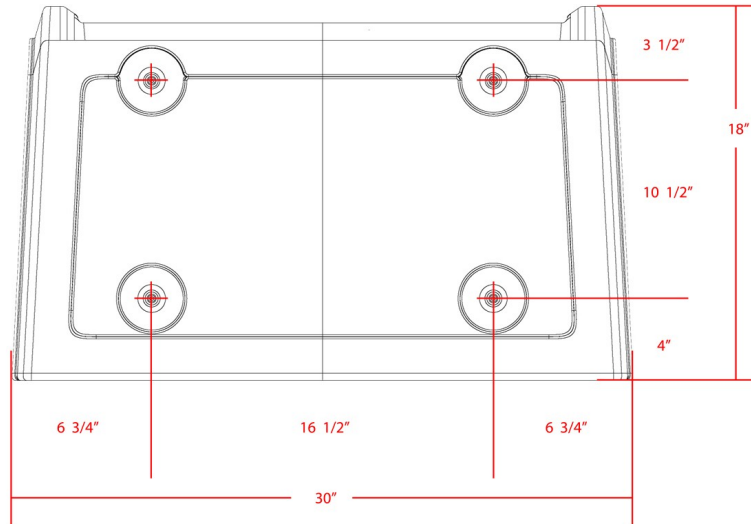
WARRANTY 10 Year Warranty.

MAINTENANCE Easy to clean and maintain with damp cloth. Resistant to stains.



Item #	Color
7201BK	Black FR
7201SB	Slate Blue FR
7201GN	Green FR
7201BN	Brown FR
7201G	Blue Gray FR

ENDURANCE OPEN CHEST BOLT LOCATIONS—FLOOR MOUNT



ENDURANCE OPEN CHEST BOLT LOCATIONS—WALL MOUNT

