

Switches, Single Pole
20A, 120-277V AC
SNAPConnect® Heavy Duty Illuminated
Toggle Switches

HUBBELL

Features

- Steel, zinc plated bridge is corrosion resistant
- Thread cleaning captive mounting screw
- Illuminated versions use LEDs for longer life

Ordering Information

Description	Toggle Color	UPC	Catalog Number
Illuminated, Light On with Load Off, Toggle, Blue LED	White	783585186191	SNAP1221ILWNA

Listings

UL Listed
CSA Certified
Fed. Spec. W-S-896

Specifications

Top Material	Thermoplastic, Red
Base Material	Thermoplastic, Black
Toggle Material	Thermoplastic
Contacts	Silver Alloy
Terminals	Brass

Performance

Electrical

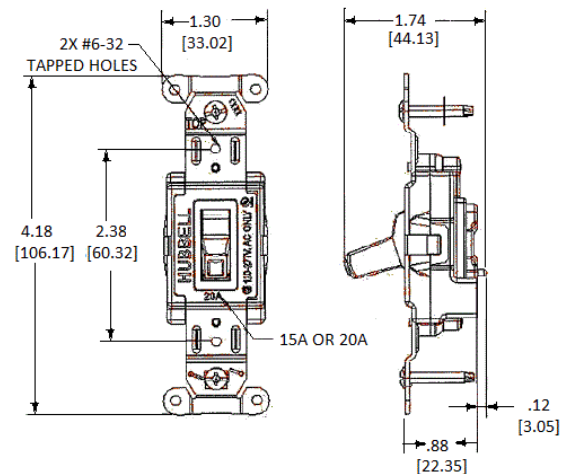
Dielectric Voltage	Withstands 1500V AC minimum for 1 minute
Max. Continuous Current	20A
Max. Working Voltage	277V AC
Overload	Minimum 4.8 times rated current for 100 cycles
Temperature Rise	30°C maximum at rated current

Mechanical

Terminal Accommodations Uses SNAPConnect Connector

Environmental

Flammability	UL 94V-2
Operating Temperature	Max. continuous: 75°C; Min. continuous: -40°C without impact



Online Resources

[Customer Use Drawing](#)
[eCatalog](#)
[Installation Instructions](#)

Dimensions in Inches (mm)

Hubbell Wiring Device-Kellems • Hubbell Incorporated (Delaware) • 40 Waterview Drive • Shelton, CT 06484

Phone (800) 288-6000 • Fax (800) 255-1031 • Specifications subject to change without notice.

