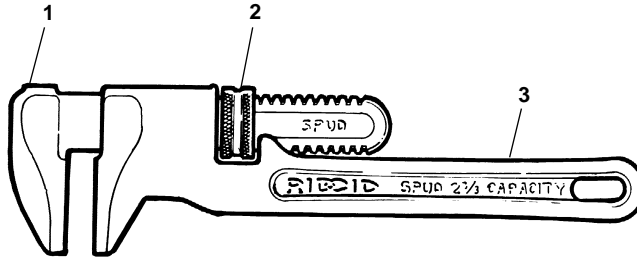


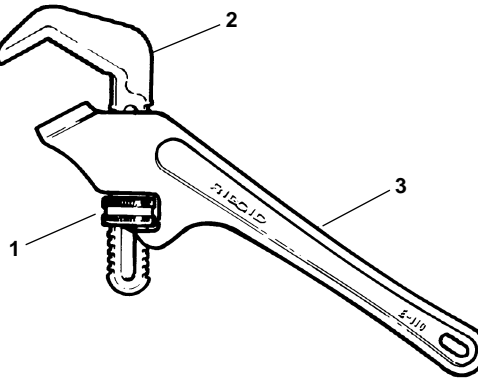
**12" Spud Wrench**  
Capacity: 2<sup>5</sup>/<sub>8</sub>"



**NOTE: Order parts by Catalog Number only.  
DO NOT order by Reference Number.**

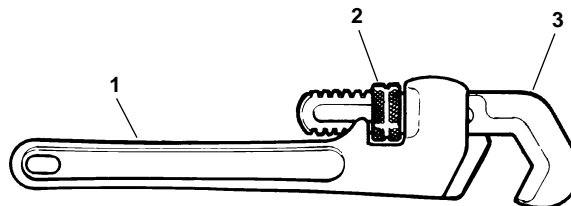
Ref. No.	Catalog No.	Description
—	31400	Spud Wrench
1	32785	Jaw
2	31665	Nut
3	32780	Handle

**E-110 Offset Hex Wrench**  
Capacity: 1<sup>1</sup>/<sub>2</sub>" Drain Nuts



Ref. No.	Catalog No.	Description
—	31305	E-110 Offset Hex Wrench
1	31615	Nut
2	32690	Hook Jaw
3	32695	Handle

**Straight Hex Wrench**  
Capacity: <sup>3</sup>/<sub>16</sub>" through 2"



Ref. No.	Description	#15	#17	#25
		1/4"-1"	5/8"-1 1/4"	1"-2"
1	Handle	Catalog No. 32640	Catalog No. 32650	Catalog No. 32660
2	Nut	31665	31685	31710
3	Hook Jaw	32635	32645	32655