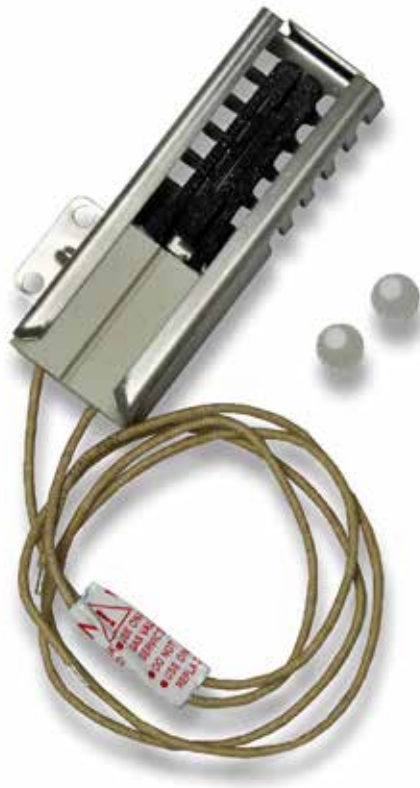


Robertshaw®

**41-200
SERIES**

**COOKING HOT
SURFACE IGNITORS**

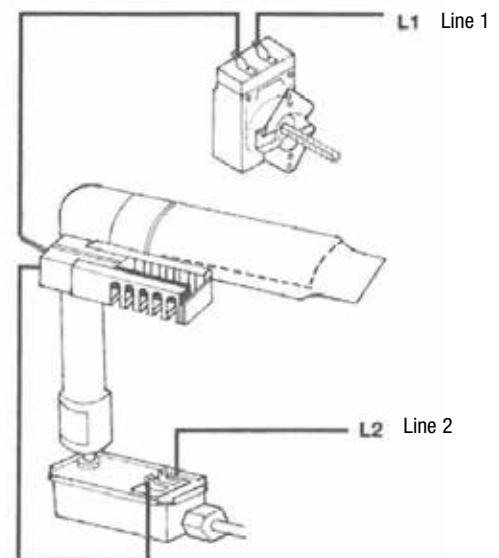
Robertshaw® hot surface ignitors are engineered to meet all your gas range and oven needs. These ignitors are used in the ranges of most major appliance OEMs. In addition, these ignitors are designed to match the Robertshaw bi-metal gas valves.



Features and Benefits

- High physical and thermal strength
- Easy mounting
- Silent ignition
- Kits include two (2) porcelain nuts

TYPICAL APPLICATION



Specifications

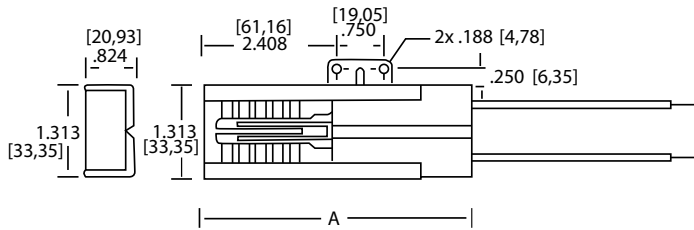
- Commercial 24 VAC and residential 120 VAC versions available
- Ratings of 1.4 to 3.6 Amps available
- Replaces carborundum style ignitors
- Leads available in 4.5" to 40" [114mm to 1016mm]

PRODUCT DIMENSIONS

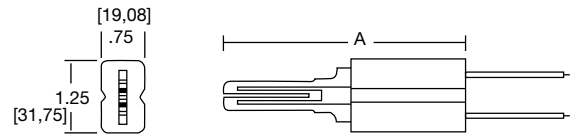
Dimensions are inches and [millimeters].

Four examples of the many styles available.

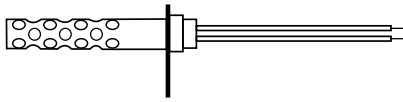
TYPE 501A & 551A (Blue Ceramic)



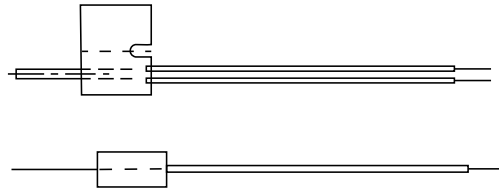
TYPE 501



TYPE 401 XM



TYPE 401 N



PART NUMBER SELECTION

Part	Length A	Lead Length	Type	Amp Rating	Operating Voltage	Comments
41-202	5½" [140mm]	16¾" [426mm]	501A	3.2 to 3.6 A	120 VAC	
41-203	6¼" [159mm]	11½" [292mm]	501A	3.2 to 3.6 A	120 VAC	
41-204	4½" [114mm]	14½" [368mm]	501A	3.2 to 3.6 A	120 VAC	
41-205	3½" [89mm]	19" [483mm]	501A	3.2 to 3.6 A	120 VAC	
41-206	7¼" [184mm]	8¾" [213mm]	501	3.2 to 3.6 A	120 VAC	No Shield 5½" [140mm] Ceramic
41-207	7½" [191mm]	12" [305mm]	501A	3.2 to 3.6 A	120 VAC	
41-208	4½" [114mm]	4¼" [108mm]	551A	2.5 to 3.0 A	120 VAC	Replaces Round Carborundum Ignitors - Blue Ceramic
41-209	3½" [89mm]	16¾" [426mm]	501	3.2 to 3.6 A	120 VAC	Has Plug Adaptor
41-210	3¾" [95mm]	8¾" [213mm]	501	3.2 to 3.6 A	120 VAC	No Shield
41-224	NA	36" [914mm]	401XM	1.4 to 2.1 A	24 VAC	
41-423	NA	40" [1016mm]	401N	1.4 to 2.1 A	24 VAC	

WARNING: It is the responsibility of the OEM to determine if flame sensing through the ignitor is viable for each application.