

PHILIPS

Lighting



Lumiblade OLED Driver-Low Voltage

XITANIUM 75W 0.7-2.0A 54V TE/O-10V INT

This driver detects the power and voltage needs of the attached OLED and drives the attached OLED Panel accordingly. This one-driver-fits-all-panels approach eases the life of the customers and makes this driver also compatible for future developments.

Product data

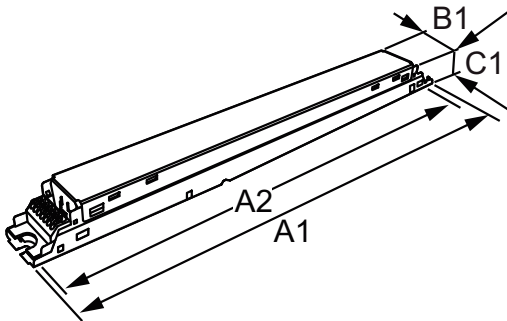
Operating and Electrical		
Input Frequency	50 to 60 Hz	
Total Harmonic Distortion IEC (Max)	20 %	
Output Current Ripple (Max)	20 %	
Maximum Efficiency	88-90 %	
Power Factor 100% Load (Min)	0.9	
Output Current (Nom)	700-2000 mA	
Output Current Tolerance (Max)	5 %	
Output Current Tolerance (Min)	-5 %	
Input Voltage (AC)	120-277 V	
Earth Leakage Current (Max)	0.7 mA	
Input Current (Operating) (Max)	700 mA	
Input Power (Nom)	87 W	
Inrush Current Peak (Max)	7 A	
Output Power (Nom)	75 W	
Output Voltage	27-54 V	
Inrush Current Width to 50% of Peak	700 µs	
Secondary Fusing		None Required
Input Wire Gauge		24-16
Output Wire Gauge		24-16
Temperature		
T-Ambient (Max)	50 °C	
T-Ambient (Min)	-20 °C	
T-Case Maximum (Max)	75 °C	
Controls and Dimming		
Dimmable	Yes	
Control Interface	1-10V Isolated/100K	
Dimming Range	100-5 %	
Approval and Application		
Isolation Classification	Class II	
Short Circuit Protection	Protected	
EMI Standard	FCC Title 47 Part15 Class A	
Environmental Standard	UL Damp & Dry	
Approbation Marks	RoHS compliance CSA certificate CE marking ENEC certificate	

Lumiblade OLED Driver-Low Voltage

UL Recognized	Yes
Output Insulation	Yes
Product Data	
Order product name	XITANIUM 75W 0.7-2.0A 54V TE/0-10V INT
EAN/UPC - Product	781087110904
Order code	929000637013

Numerator - Quantity Per Pack	1
Numerator - Packs per outer box	12
Material Nr. (12NC)	929000637013
Net Weight (Piece)	0.441 kg

Dimensional drawing



Xitanium 75W 0.7-2.0A 54V TE/0-10V INT

Product	C1	A1	A2	B1
XITANIUM 75W 0.7-2.0A 54V TE/ 0-10V INT	25.4 mm	424.2 mm	415.0 mm	30.0 mm

