

# Xitanium LED Driver Indoor Linear Dimmable (US)

## XITANIUM 54W 0.1-1.5A 27-54V 0-10V INT-T

Xitanium Indoor LED Drivers are available in a wide variety of wattages up to 75W. Most models include adjustable output current to enable OEMs to set LED drive current specific to their needs. These drivers are available in form factors perfectly suited for indoor linear troffer applications. 1-10V and leading edge dimming options enable energy-efficient solutions.

### Product data

General Information	
Constant light output	No
Operating and Electrical	
Input Frequency	50 to 60 Hz
Total Harmonic Distortion IEC (Max)	20 %
Output Current Ripple (Nom)	10 %
Maximum Efficiency	86/88 %
Power Factor 100% Load (Min)	0.95
Output Current (Nom)	700-1500 mA
Input Voltage (AC)	120-277 V
Input Current (Operating) (Max)	540 mA
Input Power (Nom)	61 W
Output Power (Nom)	54 W
Output Voltage	27-54 V

Wiring	
Primary Fusing	Fused
Secondary Fusing	None Required

Temperature	
T-Ambient (Max)	50 °C
T-Ambient (Min)	-20 °C
T-Case Maximum (Max)	85 °C

Controls and Dimming	
Dimmable	Yes
Control Interface	0-10V
Dimming Range	100-5 %

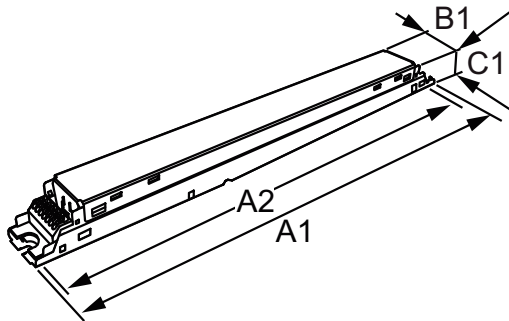
Approval and Application	
Short Circuit Protection	Protected
EMI Standard	FCC Title 47 Part15 Class B

## Xitanium LED Driver Indoor Linear Dimmable (US)

Environmental Standard	UL Damp & Dry
Approbation Marks	RoHS compliance CSA certificate
Output Insulation	Yes
<b>Product Data</b>	
Order product name	XITANIUM 54W 0.1-1.5A 27-54V 0-10V INT-T
EAN/UPC - Product	781087130254

Order code	929000711113
Numerator - Quantity Per Pack	1
Numerator - Packs per outer box	18
Material Nr. (12NC)	929000711113
Net Weight (Piece)	0.441 kg

### Dimensional drawing



Xitanium 54W 0.1-1.5A 27-54V 0-10V INT-T

Product	C1	A1	A2	B1
XITANIUM 54W 0.1-1.5A 27-54V 0-10V INT-T	25.4 mm	358.1 mm	350.0 mm	30.0 mm

