

# DEWALT®



**Instruction Manual  
Guide D'utilisation  
Manual de instrucciones**

**DWV010**

**Heavy-Duty Dust Extractor Vacuum**

**Extracteur industriel de poussière**

**Aspiradora para trabajo pesado de extracción de polvo**

**[www.DEWALT.com](http://www.DEWALT.com)**

**If you have questions or comments, contact us.  
Pour toute question ou tout commentaire, nous contacter.  
Si tiene dudas o comentarios, contáctenos.**

**1-800-4-DEWALT**

**ENGLISH**

---

English (***original instructions***)

1

---

Français (*traduction de la notice d'instructions originale*)

10

---

Español (*traducido de las instrucciones originales*)

20

---

## Definitions: Safety Alert Symbols and Words

This instruction manual uses the following safety alert symbols and words to alert you to hazardous situations and your risk of personal injury or property damage.



**DANGER:** Indicates an imminently hazardous situation which, if not avoided, **will** result in **death or serious injury**.



**WARNING:** Indicates a potentially hazardous situation which, if not avoided, **could** result in **death or serious injury**.



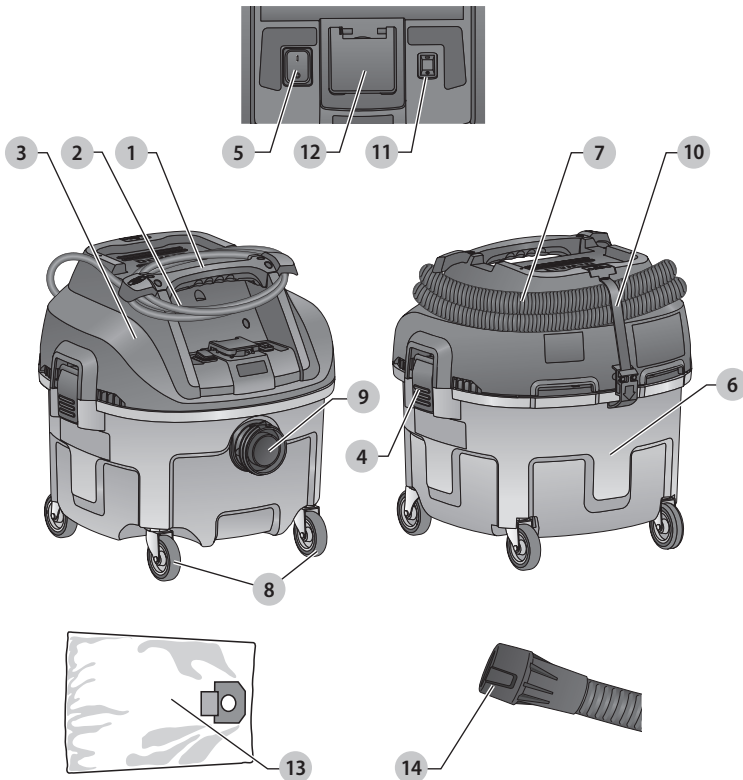
**CAUTION:** Indicates a potentially hazardous situation which, if not avoided, **may** result in **minor or moderate injury**.



(Used without word) Indicates a safety related message.

**NOTICE:** Indicates a practice **not related to personal injury** which, if not avoided, **may** result in **property damage**.

Fig. A



- |                            |                           |
|----------------------------|---------------------------|
| 1 Top handle/cord wrap     | 8 Casters                 |
| 2 Power cord               | 9 Threaded hose inlet     |
| 3 Vacuum head              | 10 Hose strap             |
| 4 Canister latch           | 11 Tool control switch    |
| 5 On (I) / off (O) switch  | 12 Outlet for power tools |
| 6 Canister                 | 13 Bag                    |
| 7 Anti-static suction hose | 14 Airlock connector      |



**WARNING! Read all safety warnings and all instructions.** Failure to follow the warnings and instructions may result in electric shock, fire and/or serious injury.



**WARNING:** To reduce the risk of injury, read the instruction manual.

If you have any questions or comments about this or any DeWALT tool, call us toll free at: 1-800-4-DeWALT (1-800-433-9258).

## GENERAL POWER TOOL SAFETY WARNINGS



**WARNING! Read all safety warnings and all instructions.** Failure to follow the warnings and instructions may result in electric shock, fire and/or serious injury.

### SAVE ALL WARNINGS AND INSTRUCTIONS FOR FUTURE REFERENCE

The term “power tool” in the warnings refers to your mains-operated (corded) power tool or battery-operated (cordless) power tool.



**WARNING:** To reduce the risk of electric shock. Do not expose to rain. Store indoors.

- Do not leave the appliance when it is connected to a power source. Unplug it from outlet when not in use and before servicing.
- Do not allow the appliance to be used as a toy. Pay close attention when the appliance is used by or near children.
- Use this appliance **ONLY** as described in the manual. Use only DeWALT recommended attachments.
- Do not use this appliance with a damaged cord or plug. If the appliance is not working correctly, or if it has been dropped, damaged, left outdoors, or dropped in water, return it to a service center.
- Do not pull or carry this appliance by the cord, use the cord as a handle, close a door on the cord, or pull the cord around sharp edges or corners. Do not run the appliance over the cord. Keep cord away from heated surfaces.
- Do not unplug this appliance by pulling on the cord. To unplug, grasp the plug, not the cord.
- Do not handle the plug or appliance with wet hands.
- Do not put any objects into the openings of the appliance. Do not use the appliance with any opening blocked; keep free of dust, lint, hair and anything else that may reduce air flow.
- Keep hair, loose clothing, fingers, and all body parts away from the openings and moving parts.
- Turn off all controls before unplugging appliance.
- Use extra care when cleaning on stairs.
- Do not use the appliance to pick up flammable or combustible liquids, such as gasoline, or use in areas where flammable or combustible liquids are present.
- Static shocks are possible in dry areas or when the relative humidity of the air is low. This is only temporary and does not affect the use of the vacuum. To reduce the frequency of static shocks, add moisture to the air with a console, installed humidifier or use DWV9316 anti-static hose (standard on some models).
- To avoid spontaneous combustion, empty canister after each use.

### SAVE THESE INSTRUCTIONS

## ADDITIONAL SAFETY RULES

- Connect to a properly grounded outlet only (See **Grounding Instructions**).
- This vacuum meets the EPA lead-related Renovations, Repair and Painting (RRP) Rule for HEPA vacuum only when used with the DWV9320 or DWV9330 HEPA Filter. (included with DWV010).

Contact the United States Environmental Protection Agency (EPA) for more information on their Renovations, Repair and Painting (RRP) Rule.

- This vacuum is approved for use in OSHA Silica 1926.1153 dust collection applications when properly utilized per the OSHA 1926.1153 ruling.
- Do not pick up anything that is burning or smoking, such as cigarettes, matches, or hot ashes.
- Do not use to vacuum combustible explosive materials, such as coal, grain, or other finely divided combustible material.
- Do not use to vacuum hazardous, toxic or carcinogenic materials, such as asbestos or pesticide, unless the vacuuming of the material is specifically identified in this instruction manual as an approved use.
- Never pick up explosive liquids (e.g. gasoline, diesel fuel, heating oil, paint thinner, etc.), acids or solvents.
- Do not use vacuum without filters in place, except as described under **Wet Pickup Applications**.
- Some wood contains preservatives which can be toxic. Take extra care to prevent inhalation and skin contact when working with these materials. Request and follow any safety information available from your material supplier.
- Do not use vacuum as a step ladder.
- Do not place heavy objects on vacuum.
- **An extension cord must have adequate wire size (AWG or American Wire Gauge) for safety.** The smaller the gauge number of the wire, the greater the capacity of the cable, that is 16 gauge has more capacity than 18 gauge. An undersized cord will cause a drop in line voltage resulting in loss of power and overheating. When using more than one extension to make up the total length, be sure each individual extension contains at least the minimum wire size. The following table shows the correct size to use. If in doubt, use the next heavier gauge. The smaller the gauge number, the heavier the cord.
- If an extension cord is to be used outdoors it must be marked with the suffix W-A or W following the cord type designation. For example – SJTW-A to indicate it is acceptable for outdoor use.



## Minimum Gauge for Cord Sets

| Volts                         |                     | Total Length of Cord in Feet<br>(meters) |            |                 |            |
|-------------------------------|---------------------|--|------------|-----------------|------------|
|                               |                     | 25 (7.6)                                 | 50 (15.2)  | 100 (30.5)      | 150 (45.7) |
| 120 V                         |                     | 25 (7.6)                                 | 50 (15.2)  | 100 (30.5)      | 150 (45.7) |
| 240 V                         |                     | 50 (15.2)                                | 100 (30.5) | 200 (61.0)      | 300 (91.4) |
| Ampere Rating<br>More<br>Than | Not<br>More<br>Than | American Wire Gauge                      |            |                 |            |
|                               |                     |  |            |                 |            |
| 0                             | 6                   | 18                                       | 16         | 16              | 14         |
| 6                             | 10                  | 18                                       | 16         | 14              | 12         |
| 10                            | 12                  | 16                                       | 16         | 14              | 12         |
| 12                            | 16                  | 14                                       | 12         | Not Recommended |            |

**WARNING:** Always wear proper personal hearing protection that conforms to ANSI S12.6 (S3.19) during use. Under some conditions and duration of use, noise from this product may contribute to hearing loss.

**WARNING:** ALWAYS use safety glasses. Everyday eyeglasses are NOT safety glasses. Usage of a face or dust mask is optional unless it is required by OSHA or other governmental/provincial institutions for the application being performed. Always use appropriate face or dust mask if in doubt. WHEN REQUIRED ONLY USE CERTIFIED SAFETY EQUIPMENT:

- ANSI Z87.1 eye protection (CAN/CSA Z94.3)
- NIOSH/OSHA/MSHA respiratory protection.

**WARNING:** Some dust contains chemicals known to the State of California to cause cancer, birth defects or other reproductive harm. Some examples of these chemicals are:

- compounds in fertilizers,
- compounds in insecticides, herbicides and pesticides,
- arsenic and chromium from chemically-treated lumber.

To reduce your exposure to these chemicals, wear approved safety equipment such as dust masks as required by OSHA or other governmental/provincial institutions for the application being performed.

For your convenience and safety, the following warning labels are on your vacuum.

**ON MOTOR HOUSING**

**(On back of vacuum head):**

**WARNING:**

- THIS VACUUM MEETS THE EPA LEAD RELATED RENOVATIONS, REPAIR AND PAINTING (RRP) RULE FOR HEPA VACUUM ONLY IF DWV9320 OR DWV9330 HEPA FILTER IS USED.
- TO REDUCE THE RISK OF INJURY, USER MUST READ INSTRUCTION MANUAL. DO NOT RUN UNATTENDED. DO NOT PICK UP FLAMMABLE, COMBUSTIBLE OR HOT MATERIALS. DO NOT USE AROUND EXPLOSIVE DUST, LIQUIDS OR VAPORS. ELECTRICAL DEVICES PRODUCE ARCS OR SPARKS WHICH CAN CAUSE FIRE OR EXPLOSION. DO NOT USE AT FILLING STATIONS OR ANYWHERE GASOLINE IS STORED OR DISPENSED. DO

NOT VACUUM TOXIC OR CARCINOGENIC MATERIALS OR OTHER HEALTH ENDANGERING MATERIAL SUCH AS ASBESTOS OR PESTICIDES. ALWAYS USE PROPER EYE AND RESPIRATORY PROTECTION AS REQUIRED BY OSHA OR OTHER GOVERNMENTAL/PROVINCIAL INSTITUTIONS FOR THE APPLICATION BEING PERFORMED. TO REDUCE THE RISK OF ELECTRICAL SHOCK, DO NOT EXPOSE TO RAIN. STORE INDOORS. WHEN SERVICING, USE ONLY IDENTICAL REPLACEMENT PARTS. NOT TO BE USED AS A STEP STOOL. (THE USE OF THIS MACHINE IN CONJUNCTION WITH THE PICK UP OF LEAD HAS NOT BEEN INVESTIGATED BY UL)

**CAUTION:** RISK OF FIRE AND INJURY. DO NOT EXCEED 15 AMPS. THE RECEPTACLE IS ENERGIZED WHEN THE VACUUM IS ON OR WHEN TOOL CONTROL IS ACTIVE. WHEN TOOL CONTROL IS ACTIVE, THE VACUUM WILL TURN ON AUTOMATICALLY WHEN THE APPLIANCE CONNECTED TO THE RECEPTACLE IS TURNED ON.

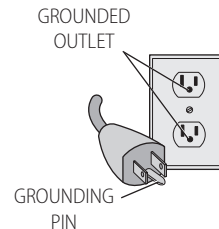
**SAVE THESE INSTRUCTIONS****Grounding Instructions (Fig. B)**

This appliance must be grounded. If it should malfunction or breakdown, grounding provides a path of least resistance for electric current to reduce the risk of electric shock. This appliance is equipped with a cord having an equipment-grounding conductor and grounding plug. The plug must be inserted into an appropriate outlet that is properly installed and grounded in accordance with all local codes and ordinances.

**WARNING:** Improper connection of the equipment-grounding conductor can result in a risk of electric shock. Check with a qualified electrician or service person if you are in doubt as to whether the outlet is properly grounded. Do not modify the plug provided with the appliance – if it will not fit the outlet, have a proper outlet installed by a qualified electrician.

This appliance is for use on a nominal 120-volt circuit and has a grounding attachment plug that looks like the plug illustrated in Figure B. Make sure that the appliance is connected to an outlet having the same configuration as the plug. No adaptor should be used with this appliance.

Fig. B

**Motor**

Be sure your power supply agrees with the nameplate marking. Voltage decrease of more than 10% will cause loss of power and overheating. DeWALT tools are factory tested; if this tool does not operate, check power supply.

**NOTICE:** DO NOT operate this tool on D.C. current. Tool damage may occur.

## COMPONENTS (FIG. A)

**WARNING:** Never modify the power tool or any part of it. Damage or personal injury could result.

Refer to Figure A at the beginning of this manual for a complete list of components.

### Anti-Static Hose

The DWV010 is equipped with an anti-static grounding system including an anti-static hose which will prevent static shocks caused by vacuuming dry debris.

### Intended Use

This vacuum is used for fine particulate pick-up, like wallboard, concrete, wood or surface dust.

**DO NOT** use under wet conditions or in presence of flammable liquids or gases.

These heavy-duty vacuums are for professional use.

**DO NOT** let children come into contact with the tool.

Supervision is required when inexperienced operators use this tool.

**NOTE:** This vacuum is intended for commercial use.

## ASSEMBLY AND ADJUSTMENTS

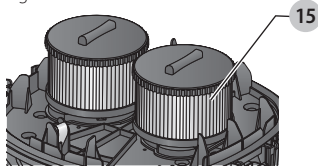
### (FIG. A, C–E)

**WARNING:** To reduce the risk of serious personal injury, turn unit off and disconnect it from power source before making any adjustments or removing/installing attachments or accessories. An accidental start-up can cause injury.

**WARNING:** When using electric appliances, always follow basic safety precautions to reduce the risk of fire, electric shock and personal injury.

**WARNING:** The filters **15** must always be in place and tightened properly while vacuuming. Otherwise hazardous dust could come through the unit, except as described under **Wet Pick Up Applications** under **Operation**. When vacuuming fine dust, you may also use an additional paper bag or fleece bag to make emptying the canister easier.

Fig. C



1. If optional paper or fleece bag **13** is to be used, install as shown in Figure D.

**NOTE:** Be careful not to tear the bag. Place bag securely onto the backside of the inlet **9** to provide a tight seal for maximum dust collection performance.

Fig. D

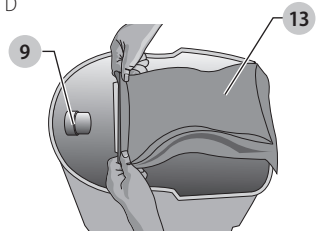
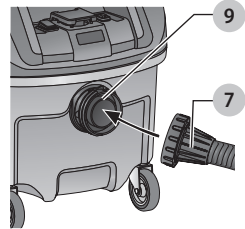


Fig. E



2. Place the vacuum head **3** onto the canister and secure it by closing the canister latches **4**.
3. Insert end of hose **7** into hose inlet **9** and rotate clockwise to lock in place.

## OPERATION

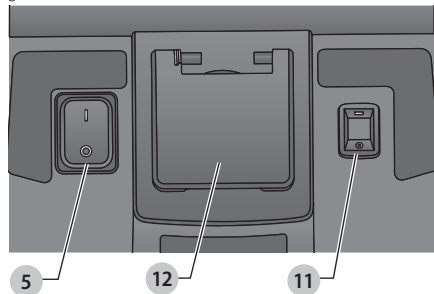
**WARNING:** To reduce the risk of serious personal injury, turn unit off and disconnect it from power source before making any adjustments or removing/installing attachments or accessories. An accidental start-up can cause injury.

### To Operate the Vacuum (Fig. F)

1. Plug the power cord into an appropriate outlet.
2. If tool actuation of vacuum is desired, see **Connecting the Power Tools**.
3. Turn on the main on/off power switch **5**.

**NOTE:** If the tool control switch **11** is turned on, and no power cord is plugged into the outlet **12**, the vacuum will turn on briefly and then off again to indicate the tool control switch **11** is in the ON position.

Fig. F



### Connecting to Power Tools (Fig. A, G)

1. Plug the vacuum power cord into an appropriate outlet.
2. Plug the power tool into the outlet **12** and make sure the power tool is properly grounded.

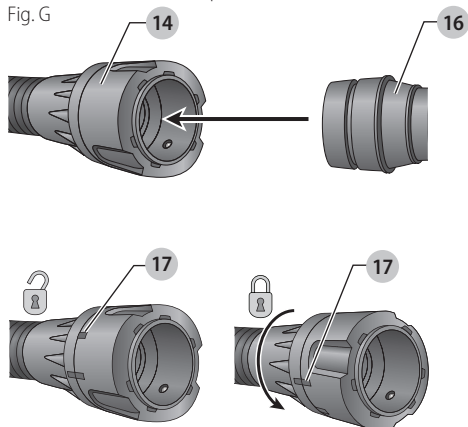
- Turn on the tool control switch **11** to the ON position (**I**) prior to turning on the main power switch **5**.

This allows the vacuum to be turned on and off automatically with the power tool.

**NOTE:** The vacuum cleaner starts automatically within 0.5 seconds and continues to run for 15 seconds after the power tool has been turned off.

- To switch back to manual mode, turn off the tool control switch. In manual mode the tool and the vacuum are turned on and off independent of each other.

Fig. G



- Choose the correct power tool adaptor **16** to fit the power tool connection on the tool to be used, refer to **Accessories** under **Maintenance**. Attach power tool adaptor **16** to power tool.
- Your DEWALT construction dust extractor is fitted with the DEWALT AirLock connection system. The AirLock allows for a fast, secure connection between the suction hose **7** and power tool. The AirLock connector **14** connects directly to DEWALT compatible tools or through the use of an AirLock adapter (available from your local DEWALT supplier). Refer to the **Optional Accessories** section for detail on available adapters.
 

**NOTE:** If using an adapter, ensure it is firmly attached to the tool outlet before following the steps below.

  - Ensure the collar on the AirLock connector is in the unlock position. (Refer to Figure G.) Align notches **17** on collar and AirLock connector as shown for unlock and lock positions.
  - Push the AirLock connector onto the adapter connector point.
  - Rotate the collar to the locked position.
 

**NOTE:** The ball bearings inside collar lock into slot and secure the connection. The power tool is now securely connected to the dust extractor.

### Automatic Filter Cleaning System

This vacuum has a highly effective filter cleaning system which minimizes filter clogging. Every 30 seconds, one of the two filters gets automatically cleaned. The cleaning process alternates between the filters and continues through the life of the unit.

**NOTE:** It is normal to hear a clicking sound during this process.

**NOTE:** After many hours of operation the automatic filter cleaning system may not be effective. When this happens the filters will need to be cleaned or replaced. Refer to **Filter** under **Maintenance**.

### Wet Pick Up Applications (Fig. A, C, H)



**WARNING:** DO NOT connect power tools to outlet **12** when using the vacuum for wet pick up.



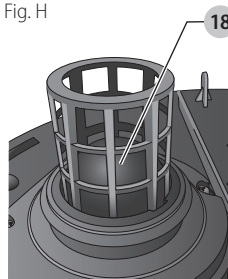
**WARNING:** Plug vacuum into GFCI protected outlet when using the vacuum for wet pick up.

**NOTICE:** DO NOT remove ball float **18**, doing so will cause damage to the vacuum. The ball float keeps water from entering the motor.

Before using the vacuum for wet pick up:

- Ensure the canister is empty and free of excessive dust.
- Remove filters **15**.
- Plug vacuum into a GFCI protected outlet.

Fig. H



### To Empty Canister (Fig. A, H)

The ball float valve **18** will block air to the motor when the canister is full and the sound of the motor will change at once. When the motor has a high pitched sound and air/water flow stops, empty the canister.

- Turn off vacuum and unplug cord from outlet.
- Unlatch canister latches **4** and remove vacuum head **3**.
- Empty contents of canister **6** into a suitable container or drain.

### To Convert Back to Dry Vacuum Operation (Fig. A)

- Empty Canister, refer to **To Empty Canister** instructions.
- Place canister upside down position until dry. DO NOT use wet canister for dry pick up.
- Place vacuum head **3** on a level surface until dry.
- Reinstall filters when vacuum head is dry. See **Filter** under **Maintenance**.
- When canister is dry place the vacuum head **3** onto the canister and secure it by closing the canister latches **4**.

ENGLISH

## To Shut Down (Fig. A)

1. Turn off the main on/off power switch **5**.
2. Unplug the unit.

## MAINTENANCE

**⚠ WARNING:** To reduce the risk of serious personal injury, turn unit off and disconnect it from power source before making any adjustments or removing/installing attachments or accessories. An accidental start-up can cause injury.

## Filter (Fig. A, I, J)

### Filter Care

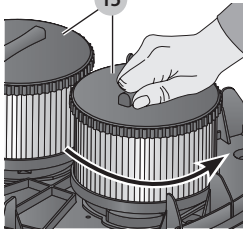
The HEPA filters included with this vacuum are long life filters. To be effective in minimizing dust recirculation, especially in lead paint (EPA RRP Rule) applications, the filters MUST be installed correctly and in good condition.

### To Remove Filters (Fig. I)

1. Turn off the main on/off power switch **5** and unplug cord from outlet.
2. Release canister latches **4** and remove vacuum head **3** from canister. Place vacuum head on a level surface upside down.
3. Turn each filter **15** counterclockwise by gripping it on the plastic end cover as shown, and carefully remove from head, ensuring debris does not fall into mounting hole.

**NOTE:** Use care to not damage filter material.

Fig. I



4. Inspect filters for wear, tears or other damage.

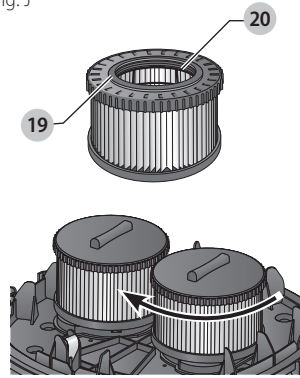
**NOTE:** If there is any doubt on the condition of the filters, they MUST be replaced. DO NOT continue use if filters are damaged.

**⚠ WARNING:** Never use compressed air or a brush to clean filters, otherwise damage to the filter membrane will occur which will allow dust to pass through the filter. If needed, rinse with room temperature water and let air dry. Cleaning of the filters is typically unnecessary. Even if the filter is covered with dust, the automatic filter cleaning system will maintain maximum performance and continue to function. If visual damage to the filter membrane exists, replace filters. Filters typically last between six and twelve months, depending on use and care.

### To Install Filters (Fig. J)

1. Ensure filter seal **19** is in place and is secure.

Fig. J



2. Line up filter threads **20** to vacuum head threads and using moderate force, turn filter clockwise until tight. **NOTE:** Use care to not damage filter material.
3. Place the vacuum head **3** onto the container and secure it by closing the canister latches **4**.

## Cleaning

**⚠ WARNING:** Using a damp cloth, clean dust from air vents at least once a week. Wear proper ANSI Z87.1 (CAN/CSA Z94.3) eye protection and proper respiratory protection as required by OSHA or other governmental/provincial institutions for the application being performed.

**⚠ WARNING:** Never use solvents or other harsh chemicals for cleaning the non-metallic parts of the tool. These chemicals may weaken the plastic materials used in these parts. Use a cloth dampened only with water and mild soap. Never let any liquid get inside the tool; never immerse any part of the tool into a liquid.

## Storage (Fig. A)

1. Empty the canister, refer to **To Empty Canister** under **Operation**.
2. Clean the vacuum inside and outside.
3. Clean or replace filters, refer to **Filters**.
4. Store the suction hose and the power cord as shown in the illustration. Secure hose with the hose strap **10** on the back of the vacuum. Place the unit in a dry room and secure it from unauthorized use.

## Accessories

**⚠ WARNING:** Since accessories, other than those offered by DEWALT, have not been tested with this product, use of such accessories with this tool could be hazardous. To reduce the risk of injury, only DEWALT recommended accessories should be used with this product.

Recommended accessories for use with your tool are available at extra cost from your local dealer or authorized service center. If you need assistance in locating any accessory, please contact DEWALT Industrial Tool Co., 701 East Joppa Road, Towson, MD 21286, call

1-800-4-DeWALT (1-800-433-9258) or visit our website: [www.dewalt.com](http://www.dewalt.com).

### Optional Accessories


|   |          |   |
|---|----------|---|
|    | DWV9330  | HEPA filter: Captures 99.97% of all particles greater than or equal to 0.3 microns. Required when picking up lead paint debris. |
|    | DWE46100 | 5"-6" (127-152 mm) Cutting/tuckpointing shroud  |
|    | DWE46101 | 5"-6" (127-152 mm) Cutting/tuckpointing shroud kit  |
|   | D25301D  | Dust extraction adapter   |
|    | DWE46150 | 5" (127 mm) Cutting/tuckpointing shroud   |
|    | DWE46152 | 5" (127 mm) Surfacing shroud  |
|   | DWH050K  | DWH050 Universal drilling dust extraction system  |
|  | DWH052K  | DWH052 1-1/8" Hex hammer dust collection  |
|  | DWH053K  | DWH053 SDS Max and spline chipping dust collection  |
|  | DWV9314  | 8' (2.5 m), 2-1/2" Accessory Hose   |
|  | DWV9315  | 15' (4.57 m) Kink Proof Hose 1-1/4" hose  |
|  | DWV9316  | 15' (4.57 m) Anti-Static Hose 1-1/4" hose   |

The filter bags provide a clean, easy and quick way to dispose of the dust collected.


**Paper filter bags:** The DWV9401 filter bags are designed to capture many types of dust including drywall, concrete and wood. These bags should be disposed of once the airflow becomes restricted. DO NOT reuse bags.

|   |         |  |
|---|---------|--|
|  | DWV9401 | Disposable paper filter bag<br>3 gallon (11 L) |
|---|---------|--|

**Fleece filter bag:** The DWV9402 fleece bag is designed to capture many types of dust including drywall, concrete and wood. This bag should be disposed of once the airflow becomes restricted. DO NOT reuse this bag. The fleece bag is ideal for heavier materials such as concrete and drywall dust where a paper filter bag may tear.

|   |         |   |
|---|---------|---|
|  | DWV9402 | Disposable fleece filter bag<br>4.5 gallon (17 L) |
|---|---------|---|

The DWV9400 disposable plastic bag is designed to seal the liner to the tank inlet without being pulled into the filter during use. The plastic disposable bag allows for easy cleanup and disposal of dust and keeps dust from escaping back into the atmosphere during emptying. Because this bag is specially designed not to be pulled into the filter, there will be a small amount of dust remaining in the tank.

|   |         |  |
|---|---------|--|
|  | DWV9400 | Disposable plastic collection bag<br>5.7 gallon (21.5 L) |
|---|---------|--|

### Repairs

**WARNING:** To assure product SAFETY and RELIABILITY, repairs, maintenance and adjustment (including brush inspection and replacement, when applicable) should be performed by a DeWALT factory service center or a DeWALT authorized service center. Always use identical replacement parts.

### Register Online

Thank you for your purchase. Register your product now for:

- **WARRANTY SERVICE:** Registering your product will help you obtain more efficient warranty service in case there is a problem with your product.
- **CONFIRMATION OF OWNERSHIP:** In case of an insurance loss, such as fire, flood or theft, your registration of ownership will serve as your proof of purchase.
- **FOR YOUR SAFETY:** Registering your product will allow us to contact you in the unlikely event a safety notification is required under the Federal Consumer Safety Act.

Register online at [www.dewalt.com/register](http://www.dewalt.com/register).

### Three Year Limited Warranty

DeWALT will repair, without charge, any defects due to faulty materials or workmanship for three years from the date of purchase. This warranty does not cover part failure due to normal wear or tool abuse. For further detail of warranty coverage and warranty repair information,

## ENGLISH

visit [www.dewalt.com](http://www.dewalt.com) or call 1-800-4-DeWALT (1-800-433-9258). This warranty does not apply to accessories or damage caused where repairs have been made or attempted by others. THIS LIMITED WARRANTY IS GIVEN IN LIEU OF ALL OTHERS, INCLUDING THE IMPLIED WARRANTY OF MERCHANTABILITY AND FITNESS FOR A PARTICULAR PURPOSE, AND EXCLUDES ALL INCIDENTAL OR CONSEQUENTIAL DAMAGES. Some states do not allow limitations on how long an implied warranty lasts or the exclusion or limitation of incidental or consequential damages, so these limitations may not apply to you. This warranty gives you specific legal rights and you may have other rights which vary in certain states or provinces. In addition to the warranty, DeWALT tools are covered by our:

### 1 YEAR FREE SERVICE

DeWALT will maintain the tool and replace worn parts caused by normal use, for free, any time during the first year after purchase.

### 90 DAY MONEY BACK GUARANTEE

If you are not completely satisfied with the performance of your DeWALT Power Tool, Laser, or Nailer for any reason, you can return it within 90 days from the date of purchase with a receipt for a full refund – no questions asked.

**LATIN AMERICA:** This warranty does not apply to products sold in Latin America. For products sold in Latin America, see country specific warranty information contained in the packaging, call the local company or see website for warranty information.

**FREE WARNING LABEL REPLACEMENT:** If your warning labels become illegible or are missing, call 1-800-4-DeWALT (1-800-433-9258) for a free replacement.

## SPECIFICATIONS

| DWV010                |                        |
|-----------------------|------------------------|
| Volts                 | 120 V ~                |
| Hertz                 | 60                     |
| Rated Current         | 15 A per UL1017        |
| Nominal Motor Current | 11.8 A                 |
| Capacity              | 8 gallon (30.2 liters) |
| Weight                | 21 lbs. (9.5 kg)       |

# DeWALT®

## Compliance Certificate

DeWALT Dust Extractor Vacuums (DWV010) are manufactured in compliance with Underwriters Laboratories (UL) 1017 and Canadian Standards Association (CSA) C22.2 No. 243-01 Standards.

These vacuums also meet the requirements of a HEPA vacuum as defined in the United States Environmental Protection Agency's (EPA) Renovation, Repair and Painting (RRP) Rule (40 CFR Part 745) when used with the DWV9320 or DWV9330 HEPA filter.

The DWV9320 and DWV9330 HEPA filters have been evaluated per IEST-RP-CC001.5,7.2 by an independent third party to confirm that the filter is capable of capturing particles of 0.3 microns with 99.97% efficiency.

## TROUBLESHOOTING

| Problem  | Solution  |
|--|---|
| Motor does not run                             | Check power cord, plugs and outlet.   |
|  | Ensure the on/off switch is in the ON position (I) and that the tool control switch is in the OFF position (O).   |
| Suction capacity decreases                     | Remove blockages in the suction nozzle, suction tube, suction hose or filters.  |
|  | Replace the paper or fleece bag.  |
|  | Check for proper installation of the filters.   |
|  | Clean or replace the filters.   |
|  | Empty canister, refer to <b>Empty Canister</b> under <i>Operation</i> .   |
| Vacuum stops running                           | Thermal overload has been tripped:  |
|  | 1. Turn the vacuum off and disconnect vacuum cleaner from power source.   |
|  | 2. Empty the canister, if needed.   |
|  | 3. Allow the unit to cool.  |
|  | 4. Plug the power cord into an appropriate outlet and turn on/off switch to the ON position (I) to test. If vacuum will not restart call 1-800-4-DEWALT (1-800-433-9258). |
| Dust comes out while vacuuming                 | Check for proper installation of the filters.   |
|  | Ensure filters are not damaged; replace if necessary.   |
|  | Ensure filter seals are in place and are secure.  |
| Automatic filter cleaning is not working       | Listen for the solenoid clicking to ensure the filter cleaning mechanism is working.  |
| Power tool does not turn on the dust extractor | Ensure tool is plugged into the tool outlet on the dust extractor.  |
|  | Ensure the on/off switch is in the ON position (I).   |
|  | Ensure the tool control switch is in the ON position (II).  |

## Définitions : symboles et termes d'alarmes sécurité

Ces guides d'utilisation utilisent les symboles et termes d'alarmes sécurité suivants pour vous prévenir de situations dangereuses et de risques de dommages corporels ou matériels.





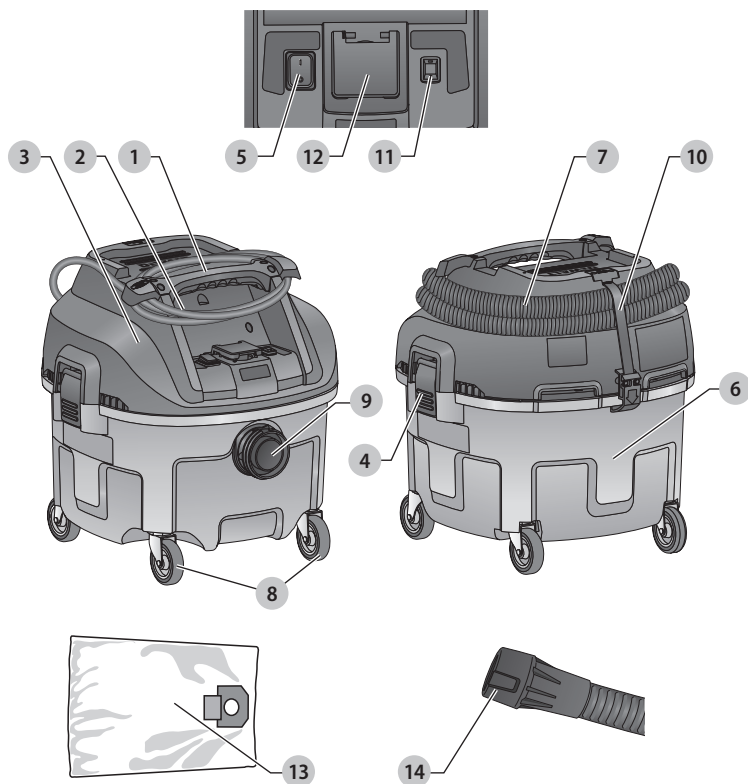

-  **DANGER** : indique une situation dangereuse imminente qui, si elle n'est pas évitée, **entraînera la mort ou des blessures graves**.
  -  **AVERTISSEMENT** : indique une situation potentiellement dangereuse qui, si elle n'est pas évitée, **pourrait entraîner la mort ou des blessures graves**.
  -  **ATTENTION** : indique une situation potentiellement dangereuse qui, si elle n'est pas évitée, **pourrait entraîner des blessures légères ou modérées**.
  -  (Si utilisé sans aucun terme) Indique un message propre à la sécurité.
- AVIS** : indique une pratique ne posant **aucun risque de dommages corporels** mais qui par contre, si rien n'est fait pour l'éviter, **pourrait poser des risques de dommages matériels**.

Fig. A



- |  |                                     |
|--|-------------------------------------|
| 1 Poignée supérieure/<br>rembobineur de cordon | 8 Roulettes                         |
| 2 Cordon d'alimentation                        | 9 Raccord tuyau taraudé             |
| 3 Tête d'aspirateur                            | 10 Attache de tuyau                 |
| 4 Verrouillage de la cuve                      | 11 Interrupteur outil               |
| 5 Interrupteur marche (I)/<br>arrêt (O)        | 12 Prise pour outils<br>électriques |
| 6 Cuve   | 13 Sac                              |
| 7 Tuyau d'aspiration<br>antistatique           | 14 Connecteur AirLock               |

 **AVERTISSEMENT! lire tous les avertissements de sécurité et toutes les directives.** Le non-respect des avertissements et des directives pourrait se solder par un choc électrique, un incendie et/ou une blessure grave.

 **AVERTISSEMENT** : afin de réduire le risque de blessures, lire le mode d'emploi de l'outil.

**Pour toute question ou remarque au sujet de cet outil ou de tout autre outil DEWALT, composez le numéro sans frais : 1-800-4-DEWALT (1-800-433-9258).**



## AVERTISSEMENTS DE SÉCURITÉ GÉNÉRAUX POUR LES OUTILS ÉLECTRIQUES



**AVERTISSEMENT! lire tous les avertissements de sécurité et toutes les directives.** Le non-respect des avertissements et des directives pourrait se solder par un choc électrique, un incendie et/ou une blessure grave.

### CONSERVER TOUS LES AVERTISSEMENTS ET TOUTES LES DIRECTIVES POUR UN USAGE ULTÉRIEUR

Le terme « outil électrique » cité dans les avertissements se rapporte à votre outil électrique à alimentation sur secteur (avec fil) ou par piles (sans fil).



**AVERTISSEMENT :** pour réduire tout risque de chocs électriques, ne pas l'exposer à la pluie. Entreposer à l'intérieur.

- Ne pas laisser l'appareil sans surveillance lorsqu'il est branché sur le secteur. Le débrancher de la prise en fin d'utilisation, et avant tout entretien.
- Ne pas laisser l'appareil être utilisé comme un jouet. Être extrêmement vigilant lorsque l'appareil est utilisé par des enfants ou à leur proximité.
- Utiliser l'appareil SEULEMENT comme décrit dans ce manuel. Utiliser exclusivement des accessoires recommandés par DeWALT.
- Ne pas utiliser cet appareil avec un cordon ou une fiche endommagé. Si l'appareil ne fonctionne pas correctement, ou s'il est tombé, a été endommagé, laissé dehors, ou est tombé dans l'eau, le rapporter dans un centre de réparation.
- Ne pas tirer sur cet appareil ou le transporter par son cordon, ne pas utiliser son cordon comme poignée, le coincer dans une porte, ou le tirer sur des bords tranchants ou des coins. Ne pas passer sur le cordon avec l'appareil. Protéger le cordon de la chaleur.
- Ne pas le débrancher en tirant sur son cordon. Pour le débrancher, tirer sur la fiche et non pas sur le cordon.
- Ne pas manipuler la fiche ou l'appareil avec les mains humides.
- Ne disposer aucun objet dans les ouvertures de l'appareil. Ne pas utiliser l'appareil si ses ouvertures sont bloquées. Les maintenir propres et nettes de tout cheveu, poussière, peluche, ou toute autre chose pouvant en réduire la circulation d'air.
- Maintenir les cheveux, les vêtements amples, les doigts, et toute autre partie du corps éloignés des ouvertures et des pièces mobiles.
- Arrêter tout bouton de commande avant de débrancher l'appareil.
- Rester extrêmement vigilant lors du nettoyage d'escaliers.
- Ne pas utiliser l'appareil pour aspirer des liquides inflammables ou combustibles, tel l'essence, ou l'utiliser dans des lieux abritant des liquides inflammables ou combustibles.

- Des décharges statiques peuvent se produire si l'environnement est sec ou lorsque l'humidité relative de l'air est basse. Ce n'est que temporaire et n'affectera pas l'utilisation de l'aspirateur. Pour réduire la fréquence des décharges statiques, ajouter de l'humidité à l'air à l'aide d'un humidificateur console, d'un humidificateur intégré ou utiliser le tuyau antistatique DWV9316 (standard sur certains modèles).
- Pour éviter toute combustion spontanée, vider la cuve après chaque utilisation.

### CONSERVER CES CONSIGNES

#### RÈGLES DE SÉCURITÉ ADDITIONNELLES

- Brancher l'appareil sur une prise correctement mise à la terre (Se reporter aux **Directives de mise à la terre**).
- Cet aspirateur est conforme à la norme Rénovations, Réparations et Peintures (RRP) relative au plomb de l'EPA pour les aspirateurs H.E.P.A., seulement lorsqu'il est utilisé avec les filtres H.E.P.A. DWV9320 ou DWV9330 (inclus avec le modèle DWV010).

Contactez l'Agence de protection de l'environnement américaine (EPA) pour plus d'informations sur la norme Rénovations, Réparations et Peintures (RRP).

- Cet extracteur est approuvé pour l'utilisation dans des applications de collecte de poussière OSHA Silica 1926.1153 lorsqu'il est utilisé de façon appropriée selon la règle OSHA 1926.1153.
- Ne pas aspirer des objets incandescents, ou se consumant, comme les cigarettes, les allumettes ou les cendres chaudes.
- Ne pas utiliser l'appareil pour aspirer des matériaux explosifs, comme le charbon, le grain, ou tout autre matériau combustible à fine texture.
- Ne pas utiliser pour aspirer des matières dangereuses, toxiques ou cancérigènes, comme de l'amiante ou des pesticides, à moins de l'aspiration de cette matière soit spécifiquement identifiée dans ce guide d'utilisation comme une utilisation approuvée.
- Ne jamais aspirer des liquides explosifs (ex. : essence, diesel, mazout domestique, diluant, etc.), des acides ou des solvants.
- Ne pas utiliser l'aspirateur sans ses filtres, hormis comme indiqué dans la section **Aspiration des déchets humides**.
- Certains bois contiennent des conservateurs pouvant être toxiques. Lorsqu'on travaille avec ces matériaux, protéger la peau de tout contact et les poumons de toute inhalation. Se renseigner auprès du fournisseur du matériau pour obtenir toutes les directives de sécurité disponibles, et les suivre.
- Ne pas utiliser cet aspirateur comme escabeau.
- Ne pas mettre des objets lourds sur l'aspirateur.
- **Pour la sécurité de l'utilisateur, utiliser une rallonge de calibre adéquat (AWG, American Wire Gauge [calibrage américain normalisé des fils électriques]).** Plus le calibre est petit, et plus sa capacité est grande. Un calibre 16, par exemple, a plus de capacité qu'un calibre

## FRANÇAIS

18. L'usage d'une rallonge de calibre insuffisant causera une chute de tension qui entraînera perte de puissance et surchauffe. Si plus d'une rallonge est utilisée pour obtenir une certaine longueur, s'assurer que chaque rallonge présente au moins le calibre de fil minimum. Le tableau ci-dessous illustre le calibre à utiliser. En cas de doute, utiliser le calibre suivant. Plus le calibre est petit, plus la rallonge peut supporter de courant.

- Si l'utilisation d'une rallonge à l'extérieur est inévitable, elle doit comporter, suivant le type de cordon, les suffixes W-A ou W. Par exemple, SJTW-A indique que celle-ci peut être utilisée dehors.

### Calibre minimum pour les cordons d'alimentation

| Volts    | Longueur totale du cordon d'alimentation en mètre (pieds) |            |            |                |    |  |
|----------|---|------------|------------|----------------|----|--|
|          | 7,6 (25)  | 15,2 (50)  | 30,5 (100) | 45,7 (150)     |    |  |
| 120 V    |   |            |            |                |    |  |
| 240 V    | 15,2 (50)   | 30,5 (100) | 61,0 (200) | 91,4 (300)     |    |  |
| Ampères  |   | AWG        |            |                |    |  |
| Plus que | Pas plus que  |            |            |                |    |  |
| 0        | 6   | 18         | 16         | 16             | 14 |  |
| 6        | 10  | 18         | 16         | 14             | 12 |  |
| 10       | 12  | 16         | 16         | 14             | 12 |  |
| 12       | 16  | 14         | 12         | Non recommandé |    |  |

**AVERTISSEMENT :** pendant l'utilisation, porter systématiquement une protection auditive individuelle adéquate homologuée ANSI S12.6 (S3.19). Sous certaines conditions et suivant la longueur d'utilisation, le bruit émanant de ce produit pourrait contribuer à une perte de l'acuité auditive.

**AVERTISSEMENT :** utilisez TOUJOURS des lunettes de sécurité. Les lunettes de tous les jours NE SONT PAS des lunettes de sécurité. L'utilisation d'un masque facial ou antipoussières est optionnelle à moins que ce soit requis par l'OSHA ou d'autres institutions gouvernementales/provinciales l'application étant effectuée. Utilisez toujours un masque facial ou antipoussières en cas de doute. UTILISEZ SEULEMENT UN ÉQUIPEMENT DE SÉCURITÉ CERTIFIÉ AU BESOIN :

- Protection oculaire ANSI Z87.1 (CAN/CSA Z94.3) ;
- Protection des voies respiratoires NIOSH/OSHA/MSHA.

**AVERTISSEMENT :** certaines poussières contiennent des produits chimiques reconnus par l'état californien pour causer cancers, malformations congénitales ou être nocifs au système reproducteur. Parmi ces produits chimiques, on retrouve :

- Les engrais et leurs composés ;
- les insecticides, herbicides et pesticides et leurs composés ;
- l'arsenic et le chrome dans le bois ayant subi un traitement chimique.

Pour réduire votre exposition à ces produits chimiques, portez un équipement de sécurité approuvé comme les masques antipoussières conformément aux exigences de l'OSHA ou d'autres institutions gouvernementales/provinciales pour l'application étant effectuée.

Pour des raisons de fonctionnalité et de sécurité, les étiquettes suivantes figurent sur votre aspirateur.

## SUR LE CARTER DU MOTEUR (sur l'arrière de la tête de l'aspirateur) :

### **AVERTISSEMENT :**

- CET ASPIRATEUR EST CONFORME À LA NORME RÉNOVATIONS, RÉPARATIONS ET PEINTURES (RRP) RELATIVE AU PLOMB DE L'EPA POUR LES ASPIRATEURS H.E.P.A., SEULEMENT LORSQU'IL EST UTILISÉ AVEC LES FILTRES H.E.P.A. DWV9320 OU DWV9330.
- POUR RÉDUIRE TOUT RISQUE DE DOMMAGES CORPORELS, L'UTILISATEUR DOIT LIRE LE MANUEL DE L'UTILISATEUR. NE PAS LE LAISSER EN MARCHÉ SANS SUPERVISION. NE PAS ASPIRER DES MATIÈRES INFLAMMABLES, COMBUSTIBLES OU BRÛLANTES. NE PAS UTILISER EN PRÉSENCE DE POUSSIÈRES, LIQUIDES OU ÉMANATIONS EXPLOSIVES. LES APPAREILS ÉLECTRIQUES PRODUISENT DES ARCS OU DES ÉTINCELLES QUI POURRAIENT CAUSER INCENDIE OU EXPLOSION. NE PAS UTILISER DANS DES STATIONS ESSENCE OU EN TOUT LIEU OÙ DE L'ESSENCE EST ENTREPOSÉE OU DISTRIBUÉE. NE PAS ASPIRER DES MATIÈRES TOXIQUES OU CARCINOGENES OU TOUT AUTRE MATÉRIEL DANGEREUX POUR LA SANTÉ COMME L'AMIANTE OU LES PESTICIDES. UTILISEZ TOUJOURS UNE PROTECTION OCULAIRE ET RESPIRATOIRE APPROPRIÉE CONFORMÉMENT AUX EXIGENCES DE L'OSHA OU D'AUTRES INSTITUTIONS GOUVERNEMENTALES/PROVINCIALES POUR L'APPLICATION ÉTANT EFFECTUÉE. POUR RÉDUIRE TOUT RISQUE DE CHOCS ÉLECTRIQUES, NE PAS L'EXPOSER À LA PLUIE. ENTREPOSER À L'INTÉRIEUR. LORS DE L'ENTRETIEN, UTILISER EXCLUSIVEMENT DES PIÈCES DE RECHANGE IDENTIQUES. NE PAS UTILISER COMME TABOURET-ESCABEAU. (L'UTILISATION DE CET APPAREIL POUR L'ASPIRATION DU PLOMB N'A PAS ÉTÉ TESTÉE PAR L'UL.)

**ATTENTION :** RISQUES D'INCENDIE ET DE DOMMAGES CORPORELS. NE PAS EXCÉDER 15 AMP. CETTE PRISE EST SOUS TENSION LORSQUE L'ASPIRATEUR EST EN MARCHÉ OU LORSQUE L'INTERRUPTEUR OUTIL EST ACTIVÉ. LORSQUE L'INTERRUPTEUR OUTIL EST ACTIVÉ, L'ASPIRATEUR SE METTRA AUTOMATIQUÉMENT EN MARCHÉ LORSQUE L'APPAREIL CONNECTÉ À LA PRISE SERA MIS EN MARCHÉ.

## CONSERVER CES CONSIGNES

### Directives de mise à la terre (Fig. B)

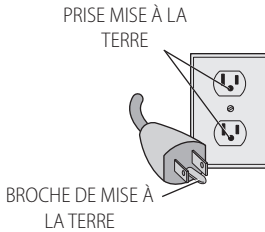
Cet appareil doit être mis à la terre. S'il venait à mal fonctionner ou à tomber en panne, la mise à la terre offre un chemin de moindre résistance au courant électrique pour réduire tout risque de décharge électrique. Cet appareil est pourvu d'un cordon muni d'un conducteur de protection et d'une fiche de mise à la terre. Cette fiche doit être branchée dans une prise adéquate installée correctement et mise à la terre conformément aux codes et réglementations locales.

**AVERTISSEMENT :** tout branchement non conforme du matériel mis à la terre augmente les risques de chocs électriques. Faire vérifier par un électricien

qualifié ou du personnel d'entretien que la prise est correctement mise à la terre. Ne pas modifier la fiche fournie avec l'appareil. - Si elle ne rentre pas dans la prise, faire installer une prise adéquate par un électricien qualifié.

Cet appareil est conçu pour une tension nominale de 120-volt, et est équipé d'une fiche mise à la terre qui ressemble à la fiche illustrée en Figure B. S'assurer que l'appareil est bien branché sur une prise ayant la même configuration que la fiche. Aucun adaptateur ne doit être utilisé avec cet appareil.

Fig. B



## Moteur

S'assurer que le bloc d'alimentation est compatible avec l'inscription de la plaque signalétique. Une diminution de tension de plus de 10 % provoquera une perte de puissance et une surchauffe. Les outils DEWALT sont testés en usine ; si cet outil ne fonctionne pas, vérifier l'alimentation électrique.

**AVIS : NE PAS utiliser cet appareil sur courant CC, il pourrait être endommagé**

## DESCRIPTION (FIG. A)



**AVERTISSEMENT :** ne jamais modifier l'outil électrique ni aucun de ses composants, car il y a risques de dommages corporels ou matériels.

Reportez-vous en Figure A au début de ce manuel pour obtenir la liste complète des composants.

## Tuyau antistatique

Le modèle DWV010 est équipé d'un dispositif de mise à la terre antistatique comprenant un tuyau antistatique qui préviendra toute décharge statique causée par les débris secs aspirés.

## Usage Prévu

Cet aspirateur a été conçu pour aspirer de fines particules comme celles des panneaux de revêtement, du béton, du bois, ou des poussières de surfaces.

**NE PAS** les utiliser en milieu ambiant humide ou en présence de liquides ou de gaz inflammables.

Ces aspirateurs industriels sont des outils de professionnels.

**NE PAS** le laisser à la portée des enfants. Une supervision est nécessaire auprès de tout utilisateur non expérimenté.

**REMARQUE :** Cet aspirateur a été conçu pour un usage commercial.

## ASSEMBLAGE ET AJUSTEMENTS

### (FIG. A, C-E)



**AVERTISSEMENT :** pour réduire le risque de blessures graves, éteindre l'outil et retirer le débrancher avant d'effectuer tout réglage et d'enlever ou d'installer tout accessoire. Un démarrage accidentel peut provoquer des blessures.

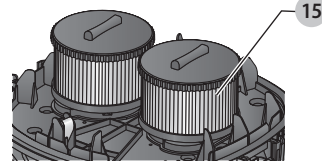


**AVERTISSEMENT :** lors de l'utilisation de tout appareil électrique, des précautions de base doivent être suivies pour réduire tout risque d'incendie, de chocs électriques ou de blessure.



**AVERTISSEMENT :** Il est impératif que les filtres **15** soient systématiquement installés et soigneusement serrés pendant l'aspiration. Dans le cas contraire, des poussières dangereuses pourraient s'échapper de l'appareil, excepté comme indiqué dans la section **Aspiration des déchets humides sous Utilisation**. Pour aspirer des poussières fines, il est aussi possible d'utiliser un sac papier supplémentaire ou un sac molletonné pour faciliter la vidange de la cuve.

Fig. C



1. Si un sac papier ou molletonné **13** est utilisé, installez-le comme illustré en Figure D.

**REMARQUE :** attention à ne pas déchirer le sac. Ien placer le sac dans l'ouverture du dos **9** avec une légère pression procurant étanchéité pour une aspiration maximale de la poussière.

- 2.

Fig. D

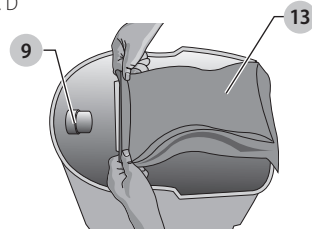
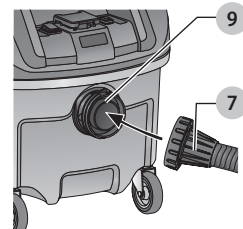


Fig. E



3. Placez la tête d'aspirateur **3** sur la cuve et armez-la en refermant les verrouillages de cuve **4**
4. Insérez l'extrémité du tuyau **7** dans le raccord tuyau **9** et tournez vers la droite pour le verrouiller en place.

## UTILISATION

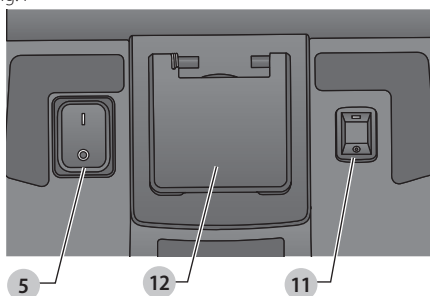
**⚠ AVERTISSEMENT :** pour réduire le risque de blessures graves, éteindre l'outil et retirer le débrancher avant d'effectuer tout réglage et d'enlever ou d'installer tout accessoire. Un démarrage accidentel peut provoquer des blessures.

## Pour utiliser l'extracteur (Fig. F)

1. Branchez le cordon dans la prise appropriée.
2. Pour utiliser un outil avec l'aspirateur, reportez-vous à la section **Connexion à un outil électrique**.
3. Mettez l'interrupteur principal marche/arrêt **5** en marche.

**REMARQUE :** si l'interrupteur outil **11** est sous tension, mais qu'aucun cordon d'alimentation n'est branché dans la prise **12**, l'aspirateur se mettra en marche brièvement puis s'arrêtera pour indiquer que l'interrupteur outil **11** est activé.

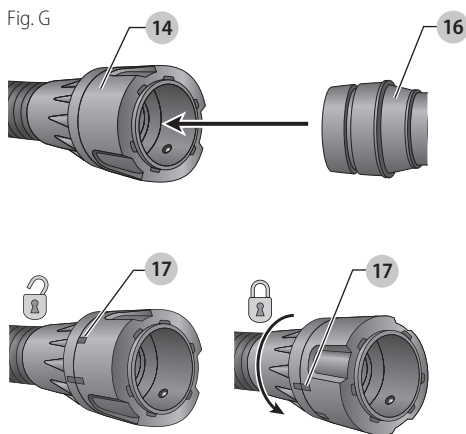
Fig. F



## Connexion à un outil électrique (Fig. A, G)

1. Branchez le cordon d'alimentation de l'aspirateur dans la prise appropriée.
2. Branchez l'outil électrique dans la prise **12** en vous assurant que l'outil est correctement mis à la terre.
3. Activez l'interrupteur outil **11** sur la position de MARCHE (I) avant de mettre sous tension l'interrupteur principal **5**. Cela permettra à l'aspirateur de se mettre en marche et de s'arrêter automatiquement de concert avec l'outil électrique.  
**REMARQUE :** l'aspirateur démarrera automatiquement dans les 0,5 seconde et continuera à fonctionner 15 secondes après l'arrêt de l'outil électrique.
4. Pour retourner en mode manuel, désactivez l'interrupteur outil. En mode manuel l'outil et l'aspirateur sont mis en marche et arrêtés indépendamment l'un de l'autre.

Fig. G



5. Choisissez le raccord d'outil **16** adapté à la connexion de l'outil électrique qui sera utilisé. Reportez-vous à la section **Accessoires** sous **Maintenance**. Rattachez le raccord d'outil **16** à l'outil électrique.
6. Votre extracteur de poussière de construction DEWALT est équipé d'un système de connexion AirLock DEWALT. AirLock permet une connexion rapide et fiable entre le tuyau d'aspiration **7** et l'outil électrique. Le connecteur AirLock **14** se connecte directement sur des outils DEWALT compatibles ou en utilisant un adaptateur AirLock (disponible chez votre fournisseur DEWALT local). Reportez-vous à la section **Accessoires en option** pour plus de détails sur les adaptateurs disponibles.  
**REMARQUE :** lorsqu'un adaptateur est utilisé, s'assurer qu'il est fermement raccordé à la buse de l'outil avant de suivre les étapes suivantes.

- a. Vérifiez que le collier sur le connecteur AirLock est sur la position déverrouillée (reportez-vous à la Figure G). Alignez les encoches **17** sur le collier et le connecteur AirLock, comme illustré, pour la position verrouillée ou déverrouillée.
- b. Enfoncez le connecteur AirLock sur la buse de raccordement de l'adaptateur.
- c. Tournez le collier sur la position verrouillée.  
**REMARQUE :** le roulement à billes à l'intérieur du collier s'enclenche dans l'encoche pour un raccordement sécuritaire. L'outil électrique est à présent connecté de façon fiable à l'extracteur de poussière.

## Système de filtre autonettoyant

Cet aspirateur est équipé d'un système de filtres autonettoyants extrêmement efficace qui minimise leur obstruction. L'un de deux filtres est automatiquement nettoyé toutes les 30 secondes. Le processus autonettoyant alterne entre les filtres, et ce, pendant toute la durée de vie de l'appareil.

**REMARQUE :** il est normal d'entendre un cliquetis lors de ce processus.

**REMARQUE :** au bout d'un certain nombre d'heures d'utilisation, il se pourra que le système de filtres

autonettoyants perde de son efficacité. Lorsque ce sera le cas, les filtres devront être soit nettoyés soit changés. Reportez-vous à la section **Filtres** sous **Maintenance**.

### Aspirations des déchets humides (Fig. A, C, H)

**⚠ AVERTISSEMENT :** NE PAS connecter d'outils électriques à la prise **12** lors de l'aspiration de déchets humides.

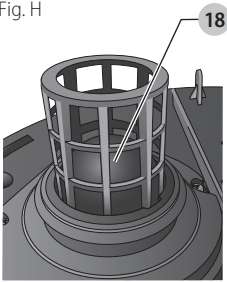
**⚠ AVERTISSEMENT :** connecter l'aspirateur à une prise sécuritaire DDFT lorsqu'il est utilisé pour aspirer des déchets humides.

**AVIS :** NE PAS retirer le flotteur **18**, cela pourrait endommager l'aspirateur. Le flotteur protège le moteur de toute pénétration de liquide.

Avant d'utiliser l'aspirateur pour aspirer des déchets humides:

- S'assurer que la cuve est vide et sans poussières excessives.
- Retirer les filtres **15**.
- Brancher l'aspirateur dans une prise homologuée DDFT.

Fig. H



### Vidange de la cuve (Fig. A, H)

Le robinet à flotteur **18** bloquera l'arrivée d'air au moteur lorsque la cuve sera pleine et le son du moteur changera brusquement. Lorsque le moteur émettra un son aigu et que l'arrivée d'air/eau sera interrompue, videz la cuve.

1. Arrêtez l'aspirateur et débranchez le cordon du secteur.
2. Ouvrez les verrouillages de cuve **4** et retirez la tête d'aspirateur **3**.
3. Videz le contenu de la cuve **6** dans un récipient approprié ou un drain.

### Retour à l'aspiration de déchets secs (Fig. A)

1. Videz la cuve, reportez-vous aux instructions **Vidange de la cuve**.
2. Mettez la cuve à l'envers jusqu'à séchage complet. N'utilisez PAS une cuve humide pour aspirer des déchets secs.
3. Placez la tête d'aspirateur **3** sur une surface plane jusqu'à séchage complet.
4. Réinstallez les filtres lorsque la tête d'aspirateur est sèche. Reportez-vous à la section **Filtres** sous **Maintenance**.

5. Lorsque la cuve est sèche, placez la tête d'aspirateur **3** sur la cuve et arrimez-la en refermant les verrouillages de cuve **4**.

### Arrêt de l'appareil (Fig. A)

1. Arrêtez l'interrupteur principal marche/arrêt **5**.
2. Débranchez l'appareil.

### MAINTENANCE

**⚠ AVERTISSEMENT :** pour réduire le risque de blessures graves, éteindre l'outil et retirer le débrancher avant d'effectuer tout réglage et d'enlever ou d'installer tout accessoire. Un démarrage accidentel peut provoquer des blessures.

### Filtres (Fig. A, I, J)

#### Entretien des filtres

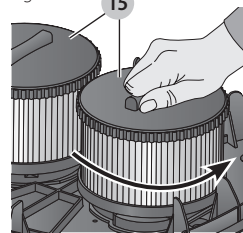
Les filtres H.E.P.A. inclus avec cet aspirateur sont des filtres longue durée. Pour qu'ils soient efficaces à minimiser la recirculation de la poussière, particulièrement lors de l'aspiration des peintures au plomb (règlement RRP EPA), les filtres DOIVENT être installés correctement et être en bonne condition.

#### Retrait des filtres (Fig. I)

1. Arrêtez l'interrupteur principal marche/arrêt **5** et débranchez le cordon de la prise.
2. Ouvrez les verrouillages de cuve **4** et retirez la tête d'aspirateur **3** de la cuve. Placez la tête d'aspirateur à l'envers sur une surface plane.
3. Tournez chaque filtre **15** vers la gauche en les agrippant par l'embout plastique, comme illustré. Puis retirez-les soigneusement de la tête en vous assurant qu'aucun débris ne tombe dans le trou de montage.

**REMARQUE :** prendre soin de ne pas endommager le matériau des filtres.

Fig. I



4. Vérifiez que les filtres sont en parfait état, sans aucun dommage.

**REMARQUE :** en cas de doute quant à la condition des filtres, les remplacer SYSTÉMATIQUEMENT. NE PAS continuer à utiliser un filtre endommagé.

**⚠ AVERTISSEMENT :** ne jamais utiliser d'air comprimé ou de brosse pour nettoyer les filtres pour éviter que la membrane du filtre soit endommagée et que le filtre perde son étanchéité à la poussière. S'il y a lieu, rincez avec l'eau à température de la pièce et laissez sécher. Le nettoyage des filtres n'est pas nécessaire en général. Même si le filtre est couvert de poussière le système de filtre autonettoyant maintiendra un niveau optimal

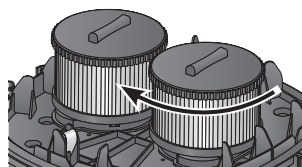
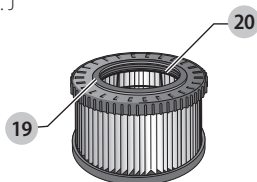
## FRANÇAIS

de performances et continuera de fonctionner. Si la membrane du filtre comporte des dommages visibles, remplacer ce dernier. Selon l'utilisation et l'entretien, les filtres durent en général entre six et douze mois.

### Installation des filtres (Fig. J)

- Vérifiez que le joint de filtre **19** est bien installé et arrimé.

Fig. J



- Alignez le filetage **20** du filtre sur le filetage de la tête d'aspirateur et, en forçant modérément, tournez le filtre vers la droite pour bien le serrer.

**REMARQUE :** prendre soin de ne pas endommager le matériau des filtres.

- Placez la tête d'aspirateur **3** sur la cuve et arrimez-la en refermant les verrouillages de cuve **4**.

### Nettoyage

**AVERTISSEMENT :** à l'aide d'un linge humide, enlevez la poussière des événements au moins une fois par semaine. Portez toujours une protection oculaire et respiratoire ANSI Z87.1 (CAN/CSA Z94.3) conformément aux exigences de l'OSHA ou d'autres institutions gouvernementales/provinciales pour l'application étant effectuée.

**AVERTISSEMENT :** ne jamais utiliser de solvants ni d'autres produits chimiques puissants pour nettoyer les pièces non métalliques de l'outil. Ces produits chimiques peuvent affaiblir les matériaux de plastique utilisés dans ces pièces. Utiliser un chiffon humecté uniquement d'eau et de savon doux. Ne jamais laisser de liquide pénétrer dans l'outil et n'immerger aucune partie de l'outil dans un liquide.

### Stockage (Fig. A)

- Videz la cuve. Reportez-vous à la section **Vidange de la cuve** sous **Utilisation**.
- Nettoyez l'intérieur et l'extérieur de l'aspirateur.
- Nettoyez ou changez les filtres, reportez-vous à la section **Filtres**.
- Rangez le tuyau d'aspiration et le cordon comme illustré. Arrimez le tuyau avec l'attache de tuyau **10** à l'arrière de l'aspirateur. Entreposez l'appareil dans une pièce sèche et protégez-le de toute utilisation non autorisée.

## Accessoires




**AVERTISSEMENT :** puisque les accessoires autres que ceux offerts par DeWALT n'ont pas été testés avec ce produit, leur utilisation pourrait s'avérer dangereuse. Pour réduire le risque de blessures, utiliser exclusivement les accessoires DeWALT recommandés avec le présent produit.

Les accessoires recommandés pour cet outil sont vendus séparément au centre de service de votre région. Pour obtenir de l'aide concernant l'achat d'un accessoire, communiquer avec DeWALT Industrial Tool Co., 701 East Joppa Road, Towson, MD 21286 aux États-Unis; composer le 1 800 433-9258 (1 800 4-DeWALT) ou visiter notre site Web : [www.dewalt.com](http://www.dewalt.com).

### Accessoires en option

|  |          |   |
|--|----------|---|
|  | DWV9330  | Filtre H.E.P.A. : Capture 99,97 % de toutes les particules supérieures ou égales à 0,3 micron. Requis pour aspirer les débris des peintures au plomb. |
|  | DWE46100 | Carter de coupe/tronçonnage 127–152 mm (5–6 po)   |
|  | DWE46101 | Kit de carter de coupe/tronçonnage 127–152 mm (5–6 po)  |
|  | D25301D  | Adaptateur de dépoussiérage   |
|  | DWE46150 | Carter de coupe/tronçonnage 127 mm (5 po)   |
|  | DWE46152 | Coiffe de revêtement 127 mm (5 po)  |
|  | DWH050K  | Système universel de dépoussiérage de forage DWH050   |
|  | DWH052K  | Dépoussiéreur pour marteau perforateur de démolition 1-1/8 po DWH052  |
|  | DWH053K  | Dépoussiéreur de piquage de cannelures et SDS MAX DWH053  |



|   |         |  |
|---|---------|--|
|  | DWV9314 | 2,4 m (8 pi) Tuyau indéformable        |
|  | DWV9315 | 4,57 m (15 pi) Tuyau anti-tortillement |
|  | DWV9316 | 4,57 m (15 pi) Tuyau antistatique      |

Les sacs-filtres permettent d'éliminer facilement, rapidement et proprement la poussière collectée.

**Sacs-filtres papier :** Les sacs-filtres DWV9401 ont été conçus pour retenir de nombreux types de poussières y compris celles du placoplâtre, du béton, et du bois. Ils permettent d'atteindre des niveaux de performance de filtration de 99,9 % à 2 microns. Ces sacs doivent être changés lorsque la circulation d'air est trop limitée. NE PAS réutiliser ces sacs.

|   |         |   |
|---|---------|---|
|  | DWV9401 | Sac-filtre papier jetable de 11 L (3 gallons) |
|---|---------|---|

**Sac-filtre molletonné :** Le sac molletonné DWV9402 a été conçu pour retenir de nombreux types de poussières y compris celles du placoplâtre, du béton, et du bois. Il permet d'obtenir des niveaux de performance de filtrage de 95 % à 0,3 micron. Ce sac doit être remplacé lorsque la circulation d'air est trop limitée. NE PAS réutiliser ce sac. Ce sac molletonné est idéal pour des matériaux plus lourds comme la poussière du béton ou du placoplâtre, là où les sacs-filtres papier pourraient se déchirer.

|   |         |   |
|---|---------|---|
|  | DWV9402 | Sac plastique de récupération jetable de 17 L (4,5 gallons) |
|---|---------|---|

Le sac plastique jetable DWV9400 à été conçu pour faire adhérer le sac à la buse de la cuve sans qu'il ne soit aspiré dans le filtre pendant l'utilisation. Le sac plastique jetable permet l'aspiration et l'élimination facile des poussières, tout en empêchant celles-ci de s'échapper dans l'atmosphère au moment du vidage. Parce que ces sacs ont été spécialement conçus pour ne pas être aspirés sur le filtre, il restera une petite quantité de poussières dans la cuve.

|   |         |   |
|---|---------|---|
|  | DWV9400 | Sac plastique de récupération jetable de 21,5 L (5,7 gallons) |
|---|---------|---|

## Réparations



**AVERTISSEMENT :** pour assurer la **SÉCURITÉ** et la **FIABILITÉ** du produit, les réparations, l'entretien et les réglages doivent être réalisés (cela comprend l'inspection et le remplacement du balai, le cas échéant) par un centre de réparation en usine DEWALT ou un centre de réparation agréé DEWALT. Toujours utiliser des pièces de rechange identiques.

## Registre en ligne

Merci pour votre achat. Enregistrez dès maintenant votre produit:

- **RÉPARATIONS SOUS GARANTIE:** cette carte remplie vous permettra de vous prévaloir du service de réparations sous garantie de façon plus efficace dans le cas d'un problème avec le produit.
- **CONFIRMATION DE PROPRIÉTÉ:** en cas de perte provoquée par un incendie, une inondation ou un vol, cette preuve de propriété vous servira de preuve auprès de votre compagnie d'assurances.
- **SÉCURITÉ:** l'enregistrement de votre produit nous permettra de communiquer avec vous dans l'éventualité peu probable de l'envoi d'un avis de sécurité régi par la loi fédérale américaine de la protection des consommateurs.

Registre en ligne à [www.dewalt.com/register](http://www.dewalt.com/register).

## Garantie limitée de trois ans

DeWALT réparera, sans frais, tout produit défectueux causé par un défaut de matériel ou de fabrication pour une période de trois ans à compter de la date d'achat. La présente garantie ne couvre pas les pièces dont la défectuosité a été causée par une usure normale ou l'usage abusif de l'outil. Pour obtenir de plus amples renseignements sur les pièces ou les réparations couvertes par la présente garantie, visiter le site [www.dewalt.com](http://www.dewalt.com) ou composer le 1 800 433-9258 (1 800 4-DEWALT). CETTE GARANTIE LIMITÉE REMPLACE TOUTE AUTRE GARANTIE, Y COMPRIS TOUTE GARANTIE IMPLICITE DE QUALITÉ MARCHANDE OU DE CONFORMITÉ À DES FINS PARTICULIÈRES, ET EXCLUT TOUT DOMMAGE ACCESSOIRE OU INDIRECT. Certains états n'autorisent aucune limitation quant à la durée d'une garantie implicite ni aucune exclusion ou limitation de garantie contre tout préjudice accessoire ou indirect, aussi il se peut que ces exclusions ne vous soient pas applicables. Cette garantie confère des droits légaux particuliers à l'acheteur, mais celui-ci pourrait aussi bénéficier d'autres droits variant d'un territoire à l'autre.

En plus de la présente garantie, les outils DEWALT sont couverts par notre :

### CONTRAT D'ENTRETIEN GRATUIT D'UN AN

DeWALT entretiendra l'outil et remplacera les pièces usées au cours d'une utilisation normale et ce, gratuitement, pendant une période d'un an à compter de la date d'achat.

### GARANTIE DE REMBOURSEMENT DE 90 JOURS

Si l'acheteur n'est pas entièrement satisfait, pour quelque raison que ce soit, du rendement de l'outil électrique, du laser ou de la cloueuse DEWALT, celui-ci peut le retourner, accompagné d'un reçu, dans les 90 jours à compter de la date d'achat pour obtenir un remboursement intégral, sans aucun problème.

**AMÉRIQUE LATINE :** cette garantie ne s'applique aux produits vendus en Amérique latine. Pour ceux-ci, veuillez consulter les informations relatives à la garantie spécifique présente dans l'emballage, appeler l'entreprise locale ou consulter le site Web pour les informations relatives à cette garantie.

## FRANÇAIS

### REPLACEMENT GRATUIT DES ÉTIQUETTES

**D'AVERTISSEMENT :** si les étiquettes d'avertissement deviennent illisibles ou sont manquantes, composer le 1 800 433-9258 (1 800 4-DeWALT) pour en obtenir le remplacement gratuit.

| <b>CARACTÉRISTIQUES TECHNIQUES</b> |                            |
|------------------------------------|----------------------------|
| <b>DWV010</b>                      |                            |
| Volts                              | 120 V ~                    |
| Hertz                              | 60                         |
| Courant nominal                    | 15 A conformément à UL1017 |
| Courant nominal moteur             | 11,8 A                     |
| Contenance                         | 30,2 L (8 gallon)          |
| Poids                              | 9,5 kg (21 lbs.)           |

# DEWALT®

### **Certificat de conformité**

Les aspirateurs extracteurs de poussière DeWALT (DWV010) sont fabriqués conformément aux normes 1017 des Stations d'essais-Laboratoire du feu (Underwriters Laboratories, UL) et C22.2 N° 243-01 de l'Association canadienne de normalisation (CSA).

Ces aspirateurs sont aussi conformes aux spécifications des aspirateurs H.E.P.A., comme défini par la norme Rénovation, Réparations et Peintures (40 CFR Part 745) de l'Agence de protection de l'environnement américaine (EPA) lorsqu'utilisés avec les filtres H.E.P.A. DWV9320 ou DWV9330.

Les filtres H.E.P.A. DWV9320 et DWV9330 ont été évalués conformément à la norme IEST-RP-C001.5,7.2 par un tiers indépendant qui a confirmé qu'ils sont capables d'aspirer des particules de 0,3 micron à une efficacité de 99,97 %.



## DÉPANNAGE

| Problème   | Solution   |
|--|--|
| Le moteur refuse de fonctionner                              | Vérifier le cordon, la fiche et la prise.<br>Assurez-vous que l'interrupteur marche/arrêt est en position de marche (ON) (I) et que l'interrupteur outil est en position D'ARRÊT (OFF) (O).  |
| Baisse de la capacité d'aspiration                           | Retirer tout blocage au niveau du nez d'aspiration, du tube, du tuyau ou des filtres.<br>Changer le sac papier ou molletonné.<br>Vérifier que les filtres sont correctement installés.<br>Nettoyer ou changer les filtres.<br>Vider la cuve, se reporter à la section <b>Vidange de la cuve</b> sous <i>Utilisation</i> .  |
| L'aspirateur ne fonctionne plus                              | Le dispositif de surcharges thermiques a été déclenché :<br>1. Arrêter l'aspirateur et le déconnecter du secteur.<br>2. Vider la cuve, le cas échéant.<br>3. Laisser l'appareil refroidir.<br>4. Rebrancher le cordon sur la prise approprié puis tournez l'interrupteur marche/arrêt/outil sur la position de MARCHÉ (I) pour tester l'appareil. Si l'aspirateur refuse toujours de démarrer, appeler le 1-800-4-DeWALT (1-800-433-9258). |
| La poussière est rejetée pendant l'aspiration                | Vérifier que les filtres sont correctement installés.<br>Vérifier que les filtres ne sont pas endommagés. Les changer le cas échéant.<br>Vérifier que les joints de filtre sont installés et arrimés correctement.   |
| Les filtres autonettoyants ne fonctionnent pas               | Vérifier si le son solénoïde se fait bien entendre pour s'assurer que le mécanisme de nettoyage des filtres fonctionne correctement.   |
| Outil électrique ne tourne pas sur l'extracteur de poussière | Assurez-vous que l'outil est branché dans la prise d'outil de l'extracteur de poussière.<br>S'assurer que l'interrupteur est bien en position de marche (ON) (I).<br>S'assurer que l'interrupteur outil est bien en position de marche (ON) (I).   |

## Definiciones: Símbolos y palabras de alerta de seguridad

Este manual de instrucciones utiliza los siguientes símbolos y palabras de alerta de seguridad para alertarle de situaciones peligrosas y del riesgo de lesiones corporales o daños materiales.

**⚠ PELIGRO:** Indica una situación de peligro inminente que, si no se evita, provocará **la muerte o lesiones graves**.

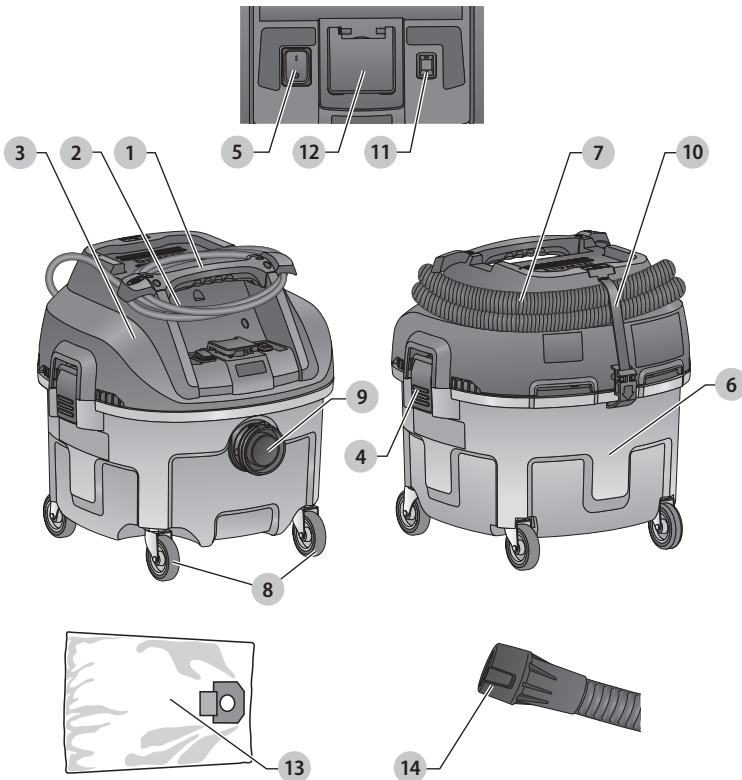
**⚠ ADVERTENCIA:** Indica una situación de peligro potencial que, si no se evita, **podría provocar la muerte o lesiones graves**.

**⚠ ATENCIÓN:** Indica una situación de peligro potencial que, si no se evita, **posiblemente provocaría lesiones leves o moderadas**.

**⚠** (Utilizado sin palabras) indica un mensaje de seguridad relacionado.

**AVISO:** Se refiere a una práctica **no relacionada a lesiones corporales** que de no evitarse **puede resultar en daños a la propiedad**.

Fig. A



- 1 Mango superior/  
sujetacables
- 2 Cable de alimentación
- 3 Cabezal de aspiradora
- 4 Seguro del recipiente
- 5 Interruptor de encendido  
(I) / apagado (O)
- 6 Recipiente
- 7 Manguera de succión  
antiestática
- 8 Ruedecillas
- 9 Toma de manguera  
roscada
- 10 Correa de manguera
- 11 Interruptor de control de  
la herramienta
- 12 Toma de corriente  
para las herramientas  
eléctricas
- 13 Bolsa
- 14 Conector AirLock

**⚠ ¡ADVERTENCIA!** Lea todas las advertencias de seguridad e instrucciones. El incumplimiento de las advertencias e instrucciones puede provocar descargas eléctricas, incendios o lesiones graves.

**⚠ ADVERTENCIA:** Para reducir el riesgo de lesiones, lea el manual de instrucciones.

**Si tiene alguna duda o algún comentario sobre ésta u otra herramienta DeWALT, llámenos al número gratuito: 1-800-4-DeWALT (1-800-433-9258).**

## ADVERTENCIAS GENERALES DE SEGURIDAD PARA HERRAMIENTAS ELÉCTRICAS



**¡ADVERTENCIA!** Lea todas las advertencias de seguridad e instrucciones. El incumplimiento de las advertencias e instrucciones puede provocar descargas eléctricas, incendios o lesiones graves.

### CONSERVE TODAS LAS ADVERTENCIAS E INSTRUCCIONES PARA FUTURAS CONSULTAS

El término "herramienta eléctrica" incluido en las advertencias hace referencia a las herramientas eléctricas operadas con corriente (con cable eléctrico) o a las herramientas eléctricas operadas con baterías (inalámbricas).



**ADVERTENCIA:** Para reducir el riesgo de descarga eléctrica, no exponer a la lluvia. Almacenar bajo techo.

- No exponga el aparato a la lluvia. Almacénelo en el interior. Esto reducirá el riesgo de descargas eléctricas.
- No permita que se juegue con él. Preste especial atención si el aparato es utilizado por o cerca de niños.
- SÓLO use este aparato como lo describe el manual. Use sólo los accesorios DEWALT recomendados.
- No use este aparato si su cable o enchufe están dañados. Si el aparato no funciona debidamente, o si se ha caído, dañado, dejado a la intemperie, o si se ha caído en agua, devuélvalo a un centro de servicio.
- No tire del cable, levante el aparato por el cable, use el cable como un mango, cierre la puerta si el cable está en el umbral, o tire del cable entorno a bordes o esquinas afilados. No atropelle el cable con el aparato. Mantenga el cable alejado de superficies calientes.
- No tire del cable para desenchufar el aparato. Para desenchufarlos, tome el enchufe con firmeza, no el cable.
- No toque el enchufe o el aparato si tiene las manos mojadas.
- No inserte ningún objeto por las aperturas del aparato. No utilice este aparato si tiene alguna apertura bloqueada; manténgalo sin polvo, pelusa, pelo o cualquier otra cosa que podría reducir el flujo de aire.
- Mantenga su cabello, vestimenta suelta, dedos y toda parte de su cuerpo alejados de las aperturas y piezas móviles del aparato.
- Apague todos los controles antes de desenchufar el aparato.
- Tenga especial cuidado cuando lo use para limpiar en escaleras.
- No use el aparato para recoger líquidos inflamables o combustibles, como gasolina, ni lo use en lugares donde exista la presencia de líquidos inflamables o combustibles.
- Es posible que se produzcan descargas estáticas en áreas secas o cuando la humedad relativa del aire sea baja. Esto es solo pasajero y no afecta la utilización de la aspiradora. Para reducir la frecuencia de las descargas estáticas, agregue humedad al aire con un humidificador instalado de consola o use la manguera antiestática DWV9316 (estándar en algunos modelos).

- Para evitar una combustión espontánea, vacíe el recipiente después de cada uso.

### GUARDE ESTAS INSTRUCCIONES

### REGLAS DE SEGURIDAD ADICIONALES

- Enchúfelo sólo en una toma de corriente debidamente conectada a tierra (ver **Instrucciones de conexión a tierra**).
  - Esta aspiradora cumple con el Reglamento de EPA relacionado con el plomo en renovaciones, reparaciones y pintura (RRP) para aspiradoras HEPA solo si se usa con el filtro HEPA DWV9320 o DWV9330 (incluido con la DWV010).
- Póngase en contacto con la Agencia de Protección Ambiental (EPA) de los Estados Unidos para obtener más información sobre sus regulaciones en cuanto a Renovaciones, Reparación y Pintura (RRP).
- Esta aspiradora está aprobada para su uso en aplicaciones de recolección de polvo OSHA Sílice 1926.1153 cuando se utiliza adecuadamente de acuerdo con la norma OSHA 1926.1153.
  - No recoja nada que se esté quemando o que esté humeando, como cigarrillos, fósforos o cenizas calientes.
  - No use para aspirar materiales combustibles explosivos, como carbón, grano u otro material combustible finamente dividido.
  - No use para aspirar materiales peligrosos, tóxicos o cancerígenos, como asbesto o pesticidas, a menos que el aspirado del material esté específicamente identificado en este manual de instrucciones como un uso aprobado.
  - Nunca recoja líquidos explosivos (como gasolina, combustible diesel, gasóleo, diluyente de pintura, etc.), ácidos o solventes.
  - No utilice la aspiradora sin los filtros bien puestos, excepto según se describe en **Aplicaciones de recogida en mojado**.
  - Alguna madera contiene preservantes que pueden ser tóxicos. Tenga especial cuidado para prevenir la inhalación y el contacto con la piel cuando trabaje con estos materiales. Solicite y siga cualquier información de seguridad que su proveedor de materiales ponga a su disposición.
  - No use la aspiradora como escalera de mano.
  - No coloque objetos pesados sobre la aspiradora.
  - **Los hilos del alargador deben ser de un calibre apropiado (AWG o American Wire Gauge) para su seguridad.** Mientras menor sea el calibre del hilo, mayor la capacidad del cable. Es decir, un hilo calibre 16 tiene mayor capacidad que uno de 18. Un cable de un calibre insuficiente causará una caída en la tensión de la línea dando por resultado una pérdida de energía y sobrecalentamiento. Cuando se utilice más de un alargador para completar el largo total, asegúrese que los hilos de cada alargador tengan el calibre mínimo. La tabla siguiente muestra el tamaño correcto a utilizar. Si tiene dudas sobre cuál calibre usar, use un calibre mayor.

## ESPAÑOL

Cuanto más pequeño sea el número del calibre, más resistente será el cable.

- Si utilizará un alargador en el exterior, deberá tener marcado el sufijo W-A ó W luego de la designación del tipo de cable. Por ejemplo – SJTW-A para indicar que es aceptable para usar afuera.

### Calibre mínimo de conjuntos de cables

| Voltios          | Longitud total del cable en pies<br>(metros) |            |            |                |    |
|------------------|--|------------|------------|----------------|----|
|                  | 25 (7,6)                                     | 50 (15,2)  | 100 (30,5) | 150 (45,7)     |    |
| 120 V            | 25 (7,6)                                     | 50 (15,2)  | 100 (30,5) | 150 (45,7)     |    |
| 240 V            | 50 (15,2)                                    | 100 (30,5) | 200 (61,0) | 300 (91,4)     |    |
| Amperaje nominal | AWG  |            |            |                |    |
| Más de           | Más de                                       |            |            |                |    |
| 0                | 6  | 18         | 16         | 16             | 14 |
| 6                | 10   | 18         | 16         | 14             | 12 |
| 10               | 12   | 16         | 16         | 14             | 12 |
| 12               | 16   | 14         | 12         | No recomendado |    |

**⚠️ ADVERTENCIA:** Siempre use protección auditiva personal en conformidad con ANSI S12.6 (S3.19) durante el uso de este aparato. Bajo algunas condiciones y duraciones de uso, el ruido producido por este producto puede contribuir a la pérdida auditiva.

**⚠️ ADVERTENCIA:** SIEMPRE use gafas de seguridad. Las gafas de uso diario NO son gafas de seguridad. El uso de una máscara para cara o polvo es opcional a menos que OSHA u otras instituciones gubernamentales/estatales lo requieran para la aplicación que se realiza. Siempre use la máscara de cara o mascarilla de polvo adecuada en caso de duda. CUANDO SE REQUIERA SÓLO UTILICE EQUIPO DE SEGURIDAD CERTIFICADO:

- Protección ocular ANSI Z87.1 (CAN/CSA Z94.3),
- Protección respiratoria NIOSH/OSHA/MSHA.

**⚠️ ADVERTENCIA:** Algunos tipos de polvo contienen químicos que el estado de California sabe producen cáncer, defectos de nacimiento y otros tipos de daño reproductivo. Algunos ejemplos de estos químicos son:

- Compuestos de fertilizantes,
- Compuestos de insecticidas, herbicidas y pesticidas,
- Arsénico y cromo proveniente de madera tratada químicamente.

Para reducir su exposición a estos productos químicos, use equipo de seguridad aprobado, como máscaras antipolvo conforme lo requiera OSHA u otras instituciones gubernamentales/estatales para la aplicación que se realiza. Para su conveniencia y seguridad, su aspiradora tiene las siguientes etiquetas.

### EN LA CAJA DEL MOTOR (en la parte de atrás del cabezal de la aspiradora):

**⚠️ ADVERTENCIA:**

- ESTA ASPIRADORA CUMPLE CON EL REGLAMENTO EPA RELACIONADO CON EL PLOMO EN RENOVACIONES, REPARACIONES Y PINTURA (RRP) PARA ASPIRADORAS

HEPA SOLO SI SE USA UN FILTRO HEPA DWV9320 O DWV9330.

- PARA REDUCIR EL RIESGO DE LESIONES, EL USUARIO DEBE LEER EL MANUAL DE INSTRUCCIONES. NO LA DEJE EN FUNCIONAMIENTO SIN SUPERVISIÓN. NO RECOJA MATERIALES INFLAMABLES, COMBUSTIBLES O CALIENTES. NO LA UTILICE ALREDEDOR DE POLVO, LÍQUIDOS O VAPORES EXPLOSIVOS. LOS DISPOSITIVOS ELÉCTRICOS PRODUCEN ARCOS O CHISPAS QUE PUEDEN CAUSAR UN INCENDIO O EXPLOSIÓN. NO LA USE EN ESTACIONES DE SERVICIO O EN CUALQUIER SITIO DONDE SE ALMACENE O DISPENSE GASOLINA. NO ASPIRE MATERIALES TÓXICOS O CARCINÓGENOS NI NINGÚN OTRO MATERIAL QUE PONGA EN PELIGRO LA SALUD COMO AMIANTO O PESTICIDAS. USE SIEMPRE PROTECCIÓN RESPIRATORIA Y PARA LOS OJOS CORRECTA, SEGÚN LO REQUIERA OSHA U OTRAS INSTITUCIONES GUBERNAMENTALES/ESTATALES PARA LA APLICACIÓN QUE SE REALIZA. PARA REDUCIR EL RIESGO DE DESCARGA ELÉCTRICA, NO LA EXPONGA A LA LLUVIA. ALMACÉNELA BAJO TECHO. CUANDO REALICE MANTENIMIENTO, USE SOLO REPUESTOS ORIGINALES. NO PUEDE UTILIZARSE COMO ESCALERA DE MANO. (EL USO DE ESTA MÁQUINA PARA LA RECOGIDA DE PLOMO NO HA SIDO INVESTIGADO POR UL)

**⚠️ ATENCIÓN:** RIESGO DE INCENDIO Y LESIÓN. NO EXCEDER LOS 15 AMPERIOS. LA TOMA DE CORRIENTE SE CARGA CUANDO LA ASPIRADORA ESTÁ ENCENDIDA O CUANDO EL CONTROL DE LA HERRAMIENTA ESTÁ ACTIVO. CUANDO EL CONTROL DE LA HERRAMIENTA ESTÉ ACTIVO, LA ASPIRADORA SE ENCENDERÁ AUTOMÁTICAMENTE CUANDO EL APARATO CONECTADO A LA TOMA DE CORRIENTE ESTÉ ENCENDIDO.

### GUARDE ESTAS INSTRUCCIONES

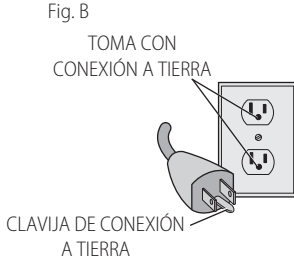
### Instrucciones de conexión a tierra (Fig. B)

Este aparato debe tener conexión a tierra. En el caso de una falla o avería, la conexión a tierra proporciona una vía de menor resistencia para la corriente eléctrica, reduciendo el riesgo de choque eléctrico. Este aparato viene con un cable equipado con un conductor a tierra y un enchufe con conexión a tierra. El enchufe deberá conectarse a una toma que haga juego y que esté instalada apropiadamente y conectada a tierra en conformidad con todos los códigos y regulaciones locales.

**⚠️ ADVERTENCIA:** La conexión indebida del conductor a tierra del equipo puede tener como resultado una descarga eléctrica. Si tiene alguna duda acerca de si el enchufe está correctamente conectado a tierra, consulte con un electricista calificado. No altere el enchufe que viene con el aparato – si no entra en la toma de corriente, pida a un electricista calificado que le instale una toma apropiada.

Este aparato es compatible con circuitos nominales de 120 voltios y tiene un enchufe de conexión a tierra como el que aparece ilustrado en la Figura B. Verifique que el aparato esté conectado en una toma que tenga la misma

configuración que el enchufe. No debería usar un adaptador con este aparato.



## Motor

Asegúrese de que la fuente de energía concuerde con lo que se indica en la placa. Un descenso en el voltaje de más del 10% producirá una pérdida de potencia y sobrecalentamiento. Todas las herramientas DEWALT son probadas en fábrica; si esta herramienta no funciona, verifique el suministro eléctrico.

**AVISO:** NO ponga esta herramienta en funcionamiento en corriente continua, ya que puede producirse daño a la herramienta.

## COMPONENTES (FIG. A)

**ADVERTENCIA:** Nunca modifique la herramienta eléctrica, ni tampoco ninguna de sus piezas. Podría producir lesiones corporales o daños.

Consulte la Figura A al principio de este manual para obtener una lista completa de los componentes.

## Manguera antiestática

La DWV010 está equipada con un sistema de conexión a tierra antiestático que incluye una manguera antiestática que prevendrá choques estáticos causados por la aspiración de residuos secos.

## Uso Debido

Esta aspiradora se utiliza para la recogida de partículas finas como tablero para tabiques, concreto, madera o polvo de superficie.

**NO** utilice la herramienta en condiciones de humedad o en presencia de líquidos o gases inflamables.

Estas aspiradoras para trabajo pesado son para uso profesional.

**NO** permita que los niños toquen la herramienta. Si el operador no tiene experiencia operando esta herramienta, su uso deberá ser supervisado.

**NOTA:** Esta aspiradora ha sido diseñada sólo para usos comerciales.

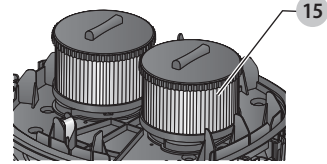
## MONTAJE Y AJUSTES (FIG. A, C–E)

**ADVERTENCIA:** Para reducir el riesgo de lesiones personales graves, apague la herramienta y desconéctela de la fuente de alimentación antes de realizar ajustes o de retirar/installar dispositivos o accesorios. Un arranque accidental podría causar lesiones.

**ADVERTENCIA:** Cuando utilice aparatos eléctricos, siempre siga instrucciones básicas de seguridad para reducir el riesgo de incendio, descarga eléctrica y lesiones corporales.

**ADVERTENCIA:** Los filtros **15** deben estar siempre en su sitio y estar bien ajustados mientras se aspira. De lo contrario el polvo peligroso podría introducirse en la unidad, excepto según se describe en la sección **Aplicaciones de recogida en mojado bajo Operación**. Cuando aspire polvo fino, puede utilizar también otra bolsa de papel o bolsa de tela polar para facilitar vaciar el recipiente.

Fig. C



1. Si se utiliza una bolsa de papel o lanilla opcional **13**, instálase como se muestra en la Figura D.
- NOTA:** Tenga cuidado de no rajar la bolsa. Coloque la bolsa firmemente en la parte posterior de la entrada **9** para proporcionar un sello hermético para máximo desempeño de recolección de polvo.

Fig. D

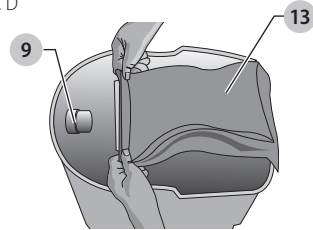
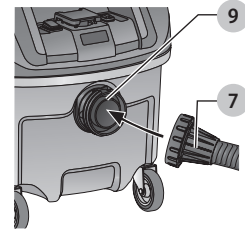


Fig. E



2. Ponga el cabezal de la aspiradora **3** en el recipiente y ajústelo cerrando los seguros del recipiente **4**.
3. Inserte el extremo de la manguera **7** en la entrada de la manguera **9** y rótelo en sentido horario para bloquearlo en su sitio.

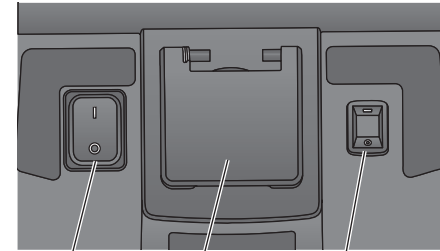
## OPERACIÓN

**ADVERTENCIA:** Para reducir el riesgo de lesiones personales graves, apague la herramienta y desconéctela de la fuente de alimentación antes de realizar ajustes o de retirar/installar dispositivos o accesorios. Un arranque accidental podría causar lesiones.

## Para operar la aspiradora (Fig. A, F)

1. Enchufe el cable de alimentación en la toma de corriente apropiada.
2. Si se desea poner en funcionamiento la aspiradora, véase **Conexión con las herramientas eléctricas**.
3. Encienda el interruptor principal de encendido/apagado **5**.

**NOTA:** Si el interruptor de control de la herramienta **11** está encendido, y no se ha enchufado ningún cable de alimentación a la toma de corriente **12**, la aspiradora se encenderá brevemente y luego se apagará otra vez para indicar que el interruptor de control de la herramienta **11** está en la posición de encendido.



### 4. Conexión con las herramientas eléctricas (Fig. A, G)

5. Enchufe el cable de alimentación de la aspiradora en una toma de corriente apropiada.
6. Enchufe la herramienta eléctrica en la toma de corriente **12** y asegúrese de que la herramienta eléctrica esté bien conectada a tierra.
7. Encienda el interruptor de control de la herramienta **11** poniéndolo en la posición de ENCENDIDO (ON) (I) antes de encender el interruptor de alimentación principal **5**. Esto permite encender y apagar la aspiradora automáticamente con la herramienta eléctrica.

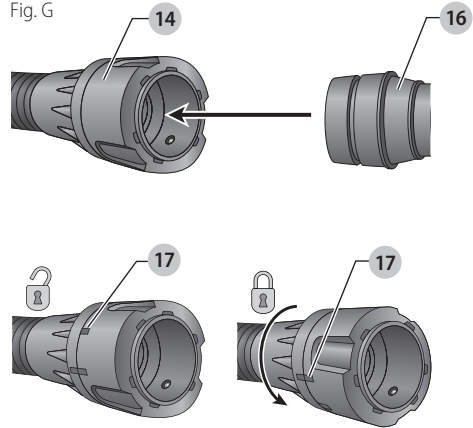
**NOTA:** La aspiradora se pone en funcionamiento automáticamente en medio segundo y sigue en funcionamiento durante 15 segundos después de que se haya apagado la herramienta eléctrica.

8. Para volver a cambiar al modo manual, apague el interruptor de control de la herramienta. En el modo manual la herramienta y la aspiradora se encienden y se apagan independientemente una de la otra.
9. Elija el adaptador correcto para la herramienta eléctrica **16** que se adapte a la conexión de la herramienta eléctrica en la herramienta que vaya a utilizarse, consulte la sección **Accesorios** bajo **Mantenimiento**. Conecte el adaptador de la herramienta eléctrica **16** en la herramienta eléctrica.

Su extractor de polvo de construcción DEWALT está equipado con el sistema de conexión AirLock DEWALT. El AirLock permite una conexión rápida y segura entre la manguera de succión **7** y la herramienta eléctrica.

El conector AirLock **14** conecta directamente con las herramientas compatibles DEWALT o mediante el uso de un adaptador AirLock (disponible a través de su proveedor local de DEWALT). Consulte la sección **Accesorios opcionales** para obtener información sobre los adaptadores disponibles.

Fig. G



**NOTA:** Si utiliza un adaptador asegúrese de que esté firmemente conectado al enchufe de la herramienta antes de seguir los pasos a continuación.

- a. Asegúrese de que el collar en el conector AirLock esté en la posición de desbloqueo. (Consulte la Figura G). Alinee las muescas **17** en el collar y el conector AirLock como se muestra para las posiciones de desbloqueo y bloqueo.
- b. Empuje el conector AirLock hasta el punto del conector del adaptador.
- c. Rote el collar hasta la posición de bloqueo.

**NOTA:** Los cojinetes de bola dentro del collar se bloquean en la ranura y aseguran la conexión. La herramienta eléctrica está ahora bien conectada al extractor de polvo.

## Sistema automático de limpieza de filtros

Esta aspiradora tiene un sistema de limpieza de filtros muy eficaz que minimiza la obstrucción de los filtros. Cada 30 segundos, uno de los dos filtros se limpia automáticamente. El proceso de limpieza alterna entre los filtros y continúa durante la vida útil de la unidad.

**NOTA:** Es normal escuchar un clic durante este proceso.

**NOTA:** Después de muchas horas de funcionamiento el sistema de limpieza automática de filtros quizás no sea eficaz. Cuando ocurra esto los filtros tienen que limpiarse o cambiarse. Consulte **Filtros** bajo **Mantenimiento**.

## Aplicaciones de recogida en mojado (Fig. A, C, H)

**⚠ ADVERTENCIA:** NO conecte las herramientas eléctricas a la toma de corriente **12** cuando use la aspiradora para la recogida en mojado.



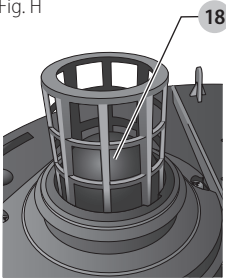
**ADVERTENCIA:** *Enchufe la aspiradora en una toma de corriente protegida GFCI (con interruptor accionado por corriente de pérdida a tierra) cuando la utilice para la recogida en mojado.*

**AVISO:** *NO saque el flotador de bola **18**, ya que al hacerlo se dañará la aspiradora. El flotador de bola evita que el agua entre al motor.*

*Antes de usar la aspiradora para la recogida en mojado:*

- *Asegúrese de que el recipiente esté vacío y que no tenga excesivo polvo.*
- *Saque los filtros **15**.*
- *Enchufe la aspiradora en una toma de corriente protegida GFCI.*

Fig. H



### Cómo vaciar el recipiente (Fig. A, H)

La válvula del flotador de bola **18** bloqueará el aire que entra al motor cuando el recipiente está lleno y el sonido del motor cambiará de inmediato. Cuando el motor tiene un sonido fuerte y el flujo del aire/agua se detiene, vacíe el recipiente.

1. Apague la aspiradora y desenchufe el cable de la toma de corriente.
2. Desenganche los seguros del recipiente **4** y saque el cabezal de la aspiradora **3**.
3. Vacíe el contenido del recipiente **6** en un recipiente o drenaje adecuados.

### Cómo volver a convertir a funcionamiento de aspiradora en seco (Fig. A)

1. Vacíe el recipiente, consulte la instrucciones **Cómo vaciar el recipiente**.
2. Coloque el recipiente al revés hasta que esté seco. NO utilice el recipiente mojado para la recogida en seco.
3. Coloque el cabezal de la aspiradora **3** en una superficie nivelada hasta que esté seco.
4. Vuelva a instalar los filtros cuando el cabezal de la aspiradora esté seco. Ver **Filtros** bajo **Mantenimiento**.
5. Cuando el recipiente esté seco, ponga el cabezal de la aspiradora **3** en el recipiente y ajústelo cerrando los seguros del recipiente **4**.

### Para apagar (Fig. A)

1. Apague el interruptor principal de encendido/apagado **5**.
2. Desenchufe la unidad.

## MANTENIMIENTO



**ADVERTENCIA:** *Para reducir el riesgo de lesiones personales graves, apague la herramienta y desconéctela de la fuente de alimentación antes de realizar ajustes o de retirar/instalar dispositivos o accesorios. Un arranque accidental podría causar lesiones.*

### Filtros (Fig. A, I, J)

#### Mantenimiento de los filtros

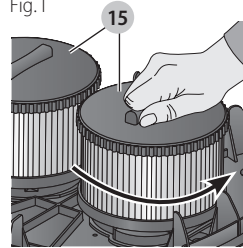
Los filtros HEPA incluidos con esta aspiradora son filtros de larga duración. Para ser eficaces en la reducción de la recirculación del polvo, especialmente en aplicaciones de pintura de plomo (Regla RRP de la EPA), los filtros DEBEN instalarse correctamente y mantenerse en buen estado.

#### Cómo sacar los filtros (Fig. I)

1. Apague el interruptor principal de encendido/apagado **5** y desenchufe el cable de la toma de corriente.
2. Libere los seguros del recipiente **4** y saque el cabezal de la aspiradora **3** del recipiente. Coloque el cabezal de la aspiradora en una superficie nivelada boca abajo.
3. Gire cada filtro **15** a la derecha agarrándolo por la cubierta del extremo de plástico, como se muestra, y sáquele con cuidado del cabezal, asegurándose de que los desechos no caigan en el orificio de montaje.

**NOTA:** Tenga cuidado de no dañar el material del filtro.

Fig. I



4. Inspeccione los filtros para verificar que no estén desgastados, ni tengan rasgones u otros daños.

**NOTA:** Si hay alguna duda sobre el estado de los filtros, estos DEBEN cambiarse. Si los filtros están dañados, NO siga usándolos.

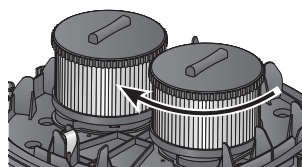
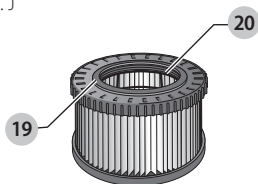


**ADVERTENCIA:** *No use nunca aire comprimido o un cepillo para limpiar los filtros, de lo contrario se producirá daño a la membrana del filtro, lo cual permitirá que el polvo pase a través del filtro. Si es necesario, enjuague con agua a temperatura ambiente y deje secar al aire. La limpieza de los filtros normalmente no es necesaria. Incluso si el filtro está cubierto de polvo, el sistema automático de limpieza de filtros mantendrá el rendimiento máximo y continuará funcionando. Si existe daño visual a la membrana del filtro, cambie los filtros. Los filtros normalmente duran entre seis y doce meses, dependiendo del uso y el cuidado.*



### Cómo instalar los filtros (Fig. J)

1. Asegúrese de que el sello del filtro **19** esté en su sitio y bien sujeto  
Fig. J



2. Alinee las roscas del filtro **20** con las roscas del cabezal de la aspiradora y con fuerza moderada gire el filtro a la derecha hasta que esté apretado.  
**NOTA:** Tenga cuidado de no dañar el material del filtro.
3. Ponga el cabezal de la aspiradora **3** en el recipiente y ajústelo cerrando los seguros del recipiente **4**.

### Limpieza

**⚠️ ADVERTENCIA:** Con un paño húmedo, limpie el polvo de las rejillas de ventilación por lo menos una vez a la semana. Use protección adecuada para los ojos ANSI Z87.1 (CAN / CSA Z94.3) y protección respiratoria adecuada conforme lo requiera OSHA u otras instituciones gubernamentales/estatales para la aplicación que se realiza.

**⚠️ ADVERTENCIA:** Nunca utilice solventes ni otros químicos abrasivos para limpiar las piezas no metálicas de la herramienta. Estos productos químicos pueden debilitar los materiales plásticos utilizados en estas piezas. Utilice un paño humedecido sólo con agua y jabón neutro. Nunca permita que penetre líquido dentro de la herramienta ni sumerja ninguna de las piezas en un líquido.

### Almacenamiento (Fig. A)

1. Para vaciar el recipiente, consulte **Cómo vaciar el recipiente** bajo **Operación**.
2. Limpie la aspiradora por dentro y por fuera.
3. Limpie o cambie los filtros, consulte **Filtros**.
4. Guarde la manguera de succión y el cable de alimentación como se muestra en la ilustración. Asegure la manguera con la correa de la manguera **10** en la parte de atrás de la aspiradora. Coloque el aparato en una habitación seca y protéjalo del uso no autorizado.

### Accesorios

**⚠️ ADVERTENCIA:** Debido a que no se han probado con este producto otros accesorios que no sean los que ofrece DEWALT., el uso de dichos accesorios con esta herramienta podría ser peligroso. Para reducir



el riesgo de lesiones, con este producto deben usarse sólo los accesorios recomendados por DEWALT.

Los accesorios que se recomiendan para utilizar con la herramienta están disponibles a un costo adicional en su distribuidor local o en un centro de mantenimiento autorizado. Si necesita ayuda para localizar algún accesorio, póngase en contacto con DEWALT Industrial Tool Co., 701 East Joppa Road, Towson, MD 21286, llame al 1-800-4-DEWALT (1-800-433-9258) o visite nuestro sitio web: [www.dewalt.com](http://www.dewalt.com).

### Accesorios opcionales


|  |          |  |
|--|----------|--|
|  | DWV9330  | Filtro HEPA: Captura el 99,97 % de todas las partículas mayores o iguales a 0,3 micrones. Obligatorias al recoger desechos de pintura a base de plomo. |
|  | DWE46100 | Cubierta protectora para rejuntar/cortar de 127–152 mm (5–6")  |
|  | DWE46101 | Kit de cubierta protectora para cortar/rejuntar de 127–152 mm (5"–6")  |
|  | D25301D  | Adaptador de extracción de polvo   |
|  | DWE46150 | Cubierta protectora para rejuntar/cortar de 127 mm (5")  |
|  | DWE46152 | Aro de refuerzo de superficie de 127 mm (5")   |
|  | DWH050K  | DWH050 Sistema de extracción de polvo de perforación universal   |
|  | DWH052K  | DWH052 Recolección de polvo de martillo neumático de 1-1/8" Hexagonal  |
|  | DWH053K  | DWH053 SDS Recolección de polvo y astillas máxima  |
|  | DWV9314  | Manguera inaplastable de 2,4 m (8 pies)  |



|   |         |   |
|---|---------|---|
|  | DWV9315 | Manguera anti-retorcedura de 4,57 m (15 pies) |
|  | DWV9316 | Manguera anti-estática de 4,57 m (15 pies)    |

Las bolsas de filtro proporcionan una forma limpia, fácil y rápida de deshacerse del polvo acumulado.


**Bolsas de filtro de papel:** Las bolsas para el filtro DWV9401 están diseñadas para captar muchos tipos diferentes de polvo, incluyendo el de muro seco, concreto y madera. Brindan una filtración de 99,9% en 2 micrones. Estas bolsas deben ser desechadas una vez que el flujo de aire empiece a disminuir. NO reutilice las bolsas.

|   |         |   |
|---|---------|---|
|  | DWV9401 | Bolsa desechable de filtro de papel 11 litros (3 galones) |
|---|---------|---|

**Bolsa de filtro de lanilla:** La bolsa de lanilla DWV9402 está diseñada para capturar muchos tipos de polvo incluyendo de yesería, hormigón y madera. Proporciona un rendimiento de filtración de 95% a 0,3 micrones. Esta bolsa debe ser desechada una vez que el flujo de aire empiece a disminuir. NO reutilice esta bolsa. La bolsa de lanilla es ideal para materiales más pesados como el polvo de concreto y muro seco, los que podrían hacer que la bolsa de papel se raje.

|   |         |   |
|---|---------|---|
|  | DWV9402 | Bolsa desechable de filtro de lanilla 17 litros (4,5 galones) |
|---|---------|---|

La bolsa de plástico desechable DWV9400 está diseñada para sellar el forro a la entrada del tanque sin chuparse en el filtro durante su uso. La bolsa de plástico desechable permite limpiar y desechar fácilmente el polvo recogido y previene que el polvo se escape de vuelta a la atmósfera al vaciarse. Como esta bolsa está especialmente diseñada para no chuparse en el filtro, quedará una pequeña cantidad de polvo en el tanque.

|   |         |  |
|---|---------|--|
|  | DWV9400 | Bolsa desechable de filtro de plástico 21,5 litros (5,7 galones) |
|---|---------|--|

## Reparaciones



**ADVERTENCIA:** Para asegurar la **SEGURIDAD** y la **CONFIABILIDAD** del producto, las reparaciones, el mantenimiento y los ajustes (inclusive la inspección y el cambio de las escobillas, cuando proceda) deben ser realizados en un centro de mantenimiento en la fábrica DEWALT u en un centro de mantenimiento autorizado DEWALT. Utilice siempre piezas de repuesto idénticas.

**Para reparación y servicio de sus herramientas eléctricas, favor de dirigirse al Centro de Servicio más cercano**

### CULIACAN, SIN

Bld. Emiliano Zapata 5400-1 Poniente Col. (667) 717 89 99 San Rafael

### GUADALAJARA, JAL

Av. La Paz #1779 - Col. Americana Sector Juárez (33) 3825 6978

### MEXICO, D.F.

Eje Central Lázaro Cárdenas No. 18 - Local D, Col. Obrera (55) 5588 9377

### MERIDA, YUC

Calle 63 #459-A - Col. Centro (999) 928 5038

### MONTERREY, N.L.

Av. Francisco I. Madero 831 Poniente - Col. Centro (818) 375 23 13

### PUEBLA, PUE

17 Norte #205 - Col. Centro (222) 246 3714

### QUERETARO, QRO

Av. San Roque 274 - Col. San Gregorio (442) 2 17 63 14

### SAN LUIS POTOSI, SLP

Av. Universidad 1525 - Col. San Luis (444) 814 2383

### TORREON, COAH

Bld. Independencia, 96 Pte. - Col. Centro (871) 716 5265

### VERACRUZ, VER

Prolongación Díaz Mirón #4280 - Col. Remes (229) 921 7016

### VILLAHERMOSA, TAB

Constitución 516-A - Col. Centro (993) 312 5111

#### PARA OTRAS LOCALIDADES:

**Si se encuentra en México, por favor llame al (55) 5326 7100**

**Si se encuentra en U.S., por favor llame al 1-800-433-9258 (1-800 4-DEWALT)**

## Póliza de Garantía

IDENTIFICACIÓN DEL PRODUCTO:

Sello o firma del Distribuidor.

Nombre del producto: \_\_\_\_\_

Mod./Cat.: \_\_\_\_\_

Marca: \_\_\_\_\_

Núm. de serie: \_\_\_\_\_

(Datos para ser llenados por el distribuidor)

Fecha de compra y/o entrega del producto: \_\_\_\_\_

Nombre y domicilio del distribuidor donde se adquirió el producto: \_\_\_\_\_

Este producto está garantizado por un año a partir de la fecha de entrega, contra cualquier defecto en su funcionamiento, así como en materiales y mano de obra empleados para su fabricación. Nuestra garantía incluye la reparación o reposición del producto y/o componentes sin cargo alguno para el cliente, incluyendo mano de obra, así como los gastos de transportación razonablemente erogados derivados del cumplimiento de este certificado.

## ESPAÑOL

Para hacer efectiva esta garantía deberá presentar su herramienta y esta póliza sellada por el establecimiento comercial donde se adquirió el producto, de no contar con ésta, bastará la factura de compra.

### Excepciones

Esta garantía no será válida en los siguientes casos:

- Cuando el producto se hubiese utilizado en condiciones distintas a las normales;
- Cuando el producto no hubiese sido operado de acuerdo con el instructivo de uso que se acompaña;
- Cuando el producto hubiese sido alterado o reparado por personas distintas a las enlistadas al final de este certificado.

Anexo encontrará una relación de sucursales de servicio de fábrica, centros de servicio autorizados y franquiciados en la República Mexicana, donde podrá hacer efectiva su garantía y adquirir partes, refacciones y accesorios originales.

### Registro en línea

Gracias por su compra. Registre su producto ahora para:

- **SERVICIO EN GARANTÍA:** Si completa esta tarjeta, podrá obtener un servicio en garantía más eficiente, en caso de que exista un problema con su producto.
- **CONFIRMACIÓN DE PROPIEDAD:** En caso de una pérdida que cubra el seguro, como un incendio, una inundación o un robo, el registro de propiedad servirá como comprobante de compra.
- **PARA SU SEGURIDAD:** Si registra el producto, podremos comunicarnos con usted en el caso improbable que se deba enviar una notificación de seguridad conforme a la Federal Consumer Safety Act (Ley Federal de Seguridad de Productos para el Consumidor).

Registro en línea en [www.dewalt.com/register](http://www.dewalt.com/register).

### Garantía limitada por tres años

DEWALT reparará, sin cargo, cualquier falla que surja de defectos en el material o la fabricación del producto, por hasta tres años a contar de la fecha de compra. Esta garantía no cubre fallas de las piezas causadas por su desgaste normal o abuso a la herramienta. Para mayores detalles sobre la cobertura de la garantía e información acerca de reparaciones realizadas bajo garantía, visítenos en [www.dewalt.com](http://www.dewalt.com) o diríjase al centro de servicio más cercano. Esta garantía no aplica a accesorios o a daños causados por reparaciones realizadas o intentadas por terceros. ESTA GARANTÍA LIMITADA SE OTORGA EN VEZ DE TODAS LAS DEMÁS, INCLUIDA LA GARANTÍA IMPLÍCITA DE COMERCIABILIDAD Y APTITUD PARA UN FIN PARTICULAR, Y EXCLUYE TODOS LOS DAÑOS INCIDENTALES O CONSECUENTES. Algunos estados no permiten limitaciones sobre la duración de una garantía implícita, o la exclusión o limitación de daños incidentales o consecuentes, así que estas limitaciones pueden no aplicarse a usted. Esta garantía le otorga derechos legales específicos, además de los cuales usted puede tener otros derechos dependiendo del estado o la provincia en que se encuentre.

Además de la garantía, las herramientas DEWALT están cubiertas por:

### 1 AÑO DE SERVICIO GRATUITO

DEWALT mantendrá la herramienta y reemplazará las piezas gastadas por su uso normal, sin cobro, en cualquier momento durante un año a contar de la fecha de compra.

### GARANTÍA DE REEMBOLSO DE SU DINERO POR 90 DÍAS

Si no está completamente satisfecho con el desempeño de su máquina herramienta, láser o clavadora DEWALT, cualquiera sea el motivo, podrá devolverlo hasta 90 días de la fecha de compra con su recibo y obtener el reembolso completo de su dinero – sin necesidad de responder a ninguna pregunta.

**AMÉRICA LATINA:** Esta garantía no se aplica a los productos que se venden en América Latina. Para los productos que se venden en América Latina, debe consultar la información de la garantía específica del país que viene en el empaque, llamar a la compañía local o visitar el sitio Web a fin de obtener esa información.

### REEMPLAZO GRATUITO DE LAS ETIQUETAS DE

**ADVERTENCIAS:** Si sus etiquetas de advertencia se vuelven ilegibles o faltan, llame al 1-800-433-9258 (1-800-4-DEWALT) para que se le reemplacen gratuitamente.

| CARACTÉRISTIQUES TECHNIQUES |                            |
|-----------------------------|----------------------------|
| DWV010                      |                            |
| Voltios                     | 120 V ~                    |
| Hercios                     | 60                         |
| Corriente nominal           | 15 A conformément à UL1017 |
| Corriente del motor nominal | 11,8 A                     |
| Capacidad                   | 30,2 liters (8 galón)      |
| Peso                        | 9,5 kg (21 lbs.)           |

Solamente para propósito de México:

Importado por: DEWALT Industrial Tool Co. S.A. de C.V.

Avenida Antonio Dovali Jaime, # 70 Torre B Piso 9

Colonia La Fe, Santa Fé

Código Postal : 01210

Delegación Alvaro Obregón

México D.F.

Tel. (52) 555-326-7100

R.F.C.: BDE810626-1W7

# DEWALT®

## Certificación de cumplimiento

Las aspiradoras para extracción de polvo DeWALT (DWV010) se fabrican en cumplimiento de las normas 1017 de Underwriters Laboratories (UL) y C22.2 No. 243-01 de Canadian Standards Association (CSA).

Estas aspiradoras cumplen también con los requisitos de una aspiradora HEPA según se definen en la Norma de renovaciones, reparaciones y pintura relacionadas con el plomo (RRP) (40 CFR Sección 745) de la Agencia de Protección Ambiental de Estados Unidos (EPA) cuando se utilizan con el filtro HEPA DWV9320 o DWV9330.

Los filtros HEPA DWV9320 y DWV9330 han sido evaluados por un tercero independiente según IEST-RP-C001.5,7.2 a fin de confirmar que el filtro es capaz de capturar partículas de micrones de 0,3 con 99,97% de eficiencia.

## RESOLUCIÓN DE PROBLEMAS

| Problema   | Solución   |
|--|--|
| El motor no funciona   | Compruebe el cable de alimentación, los enchufes y la toma de corriente.   |
|  | Asegúrese de que el interruptor de encendido/apagado esté en la posición de ENCENDIDO (ON) (I) y que el interruptor de control de la herramienta esté en la posición de APAGADO (OFF) (O).   |
| La capacidad de succión disminuye                            | Revise que no haya nada bloqueando la boquilla de succión, el tubo de succión, la manguera de succión o los filtros.   |
|  | Cambie la bolsa de papel o de lanilla.   |
|  | Verifique que los filtros estén bien instalados.   |
|  | Limpie o cambie los filtros.   |
|  | Vacíe el recipiente, consulte <b>Cómo vaciar el recipiente</b> bajo <b>Funcionamiento</b> .  |
| La aspiradora deja de funcionar                              | El protector de sobrecarga térmica se ha accionado:  |
|  | 1. Apague la aspiradora y desconéctela de la fuente de alimentación.   |
|  | 2. Vacíe el recipiente si es necesario.  |
|  | 3. Deje que la unidad se enfríe.   |
|  | 4. Enchufe el cable de alimentación en una toma de corriente apropiada y ponga el interruptor de control de la herramienta de encendido y apagado en posición de encendido (ON) (I) para ponerlo a prueba. Si la aspiradora no vuelve a encenderse llame al 1-800-4-DeWALT (1-800-433-9258). |
| Sale polvo cuando aspira                                     | Verifique que los filtros estén bien instalados.   |
|  | Compruebe que los filtros no están dañados y cámbielos si es necesario.  |
|  | Compruebe que los sellos de los filtros estén bien puestos y fijados.  |
| El sistema de limpieza automática de los filtros no funciona | Escuche el clic del solenoide para asegurarse de que el mecanismo de limpieza de los filtros esté funcionando.   |
| La herramienta eléctrica no se enciende                      | Asegúrese de que la herramienta esté enchufada en el enchufe de la herramienta en el extractor de polvo.   |
|  | Asegúrese de que el interruptor de encendido/apagado esté en la posición de ENCENDIDO (ON) (I).  |
|  | Asegúrese de que el interruptor de control de la herramienta esté en la posición de ENCENDIDO (ON) (I).  |

DeWALT Industrial Tool Co., 701 East Joppa Road, Towson, MD 21286  
(JAN18) Part No. N576778 DWV010 Copyright © 2014, 2018 DeWALT

The following are trademarks for one or more DeWALT power tools: the yellow and black color scheme, the “D” shaped air intake grill, the array of pyramids on the handgrip, the kit box configuration, and the array of lozenge-shaped humps on the surface of the tool.