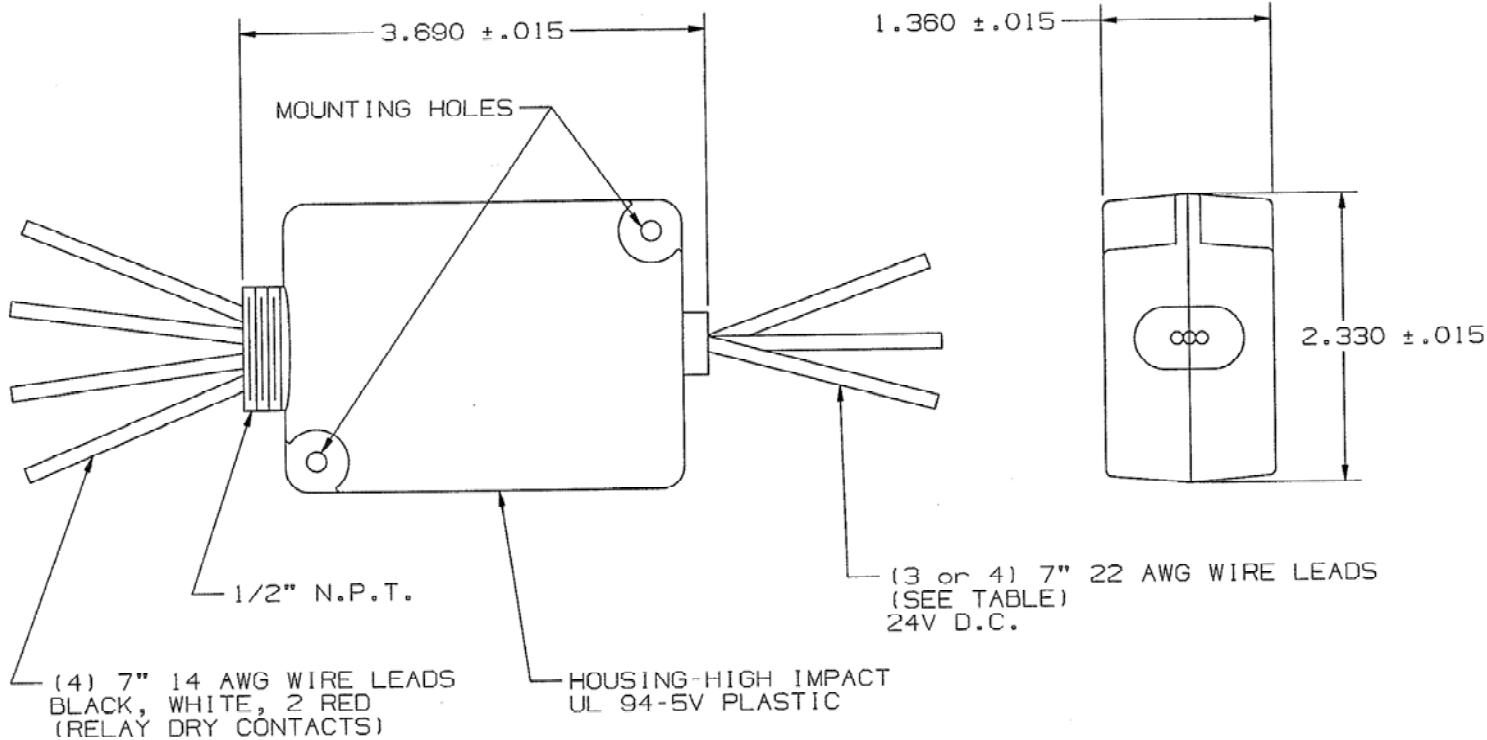


M-10823 3



| CATALOG NO. | OUTPUT LEAD COLORS |
|-------------|--------------------------|
| CU300A | RED, BLUE, BLACK |
| CU300AU | RED, BLUE, BLACK |
| CU300M | RED, BLUE, BLACK, ORANGE |

WEIGHT - 15 OZ.
COLOR - BLACK
PLENUM RATED

LIST OF PARTS

| DESCRIPTION | MATERIAL | FINISH |
|-------------|----------|--------|
| | | |
| | | |
| | | |
| | | |
| | | |
| | | |
| | | |
| | | |
| | | |
| | | |
| | | |
| | | |
| | | |
| | | |
| | | |
| | | |
| | | |
| | | |
| | | |
| | | |
| | | |

| SYM | REVISIONS | APP | DATE |
|-----|---|-----|----------|
| 3 | DIM 3.690 WAS 3.730, REVISED NOTE (3) 7" 22... ADDED TABLE PER DCN 18391. MYA | DJP | 10/24/11 |
| 2 | ADDED CU300AU PER DCN 15780 RCM | SL | 07/21/09 |
| 1 | NEW RELEASE PER DCN 14426 SPN | SL | 01/24/08 |

THE DESIGN AND DIMENSIONS OF THE PRODUCT SHOWN ON THIS DRAWING ARE SUBJECT TO CHANGE WITHOUT NOTICE

TITLE
UNIVERSAL VOLTAGE
POWER PACK

| TOLERANCES UNLESS OTHERWISE SPECIFIED | | WIRING DEVICE-KELLENS HUBBELL INCORPORATED BRIDGEPORT, CT | |
|---------------------------------------|------------|---|--------------|
| FRACTIONS | $\pm 1/64$ | DR. BY SPN | APP. BY SML |
| DECIMALS | $\pm .005$ | TR. BY | SCALE 1:1 |
| ANGLES | $\pm 2'$ | CHK'D BY SML | DATE 1/21/08 |

DIMENSION SHEET FOR CAT. NO. CU300A, CU300AU, CU300M REPAIRABLE NON-REPAIRABLE B M-10823 3