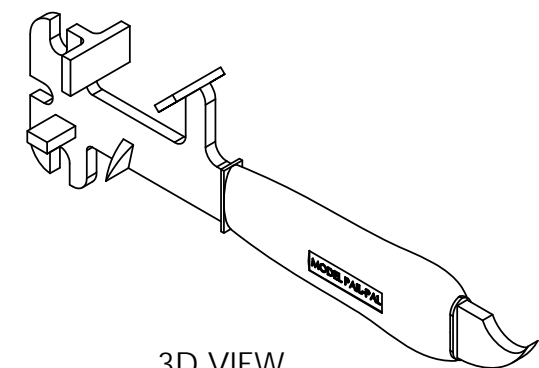
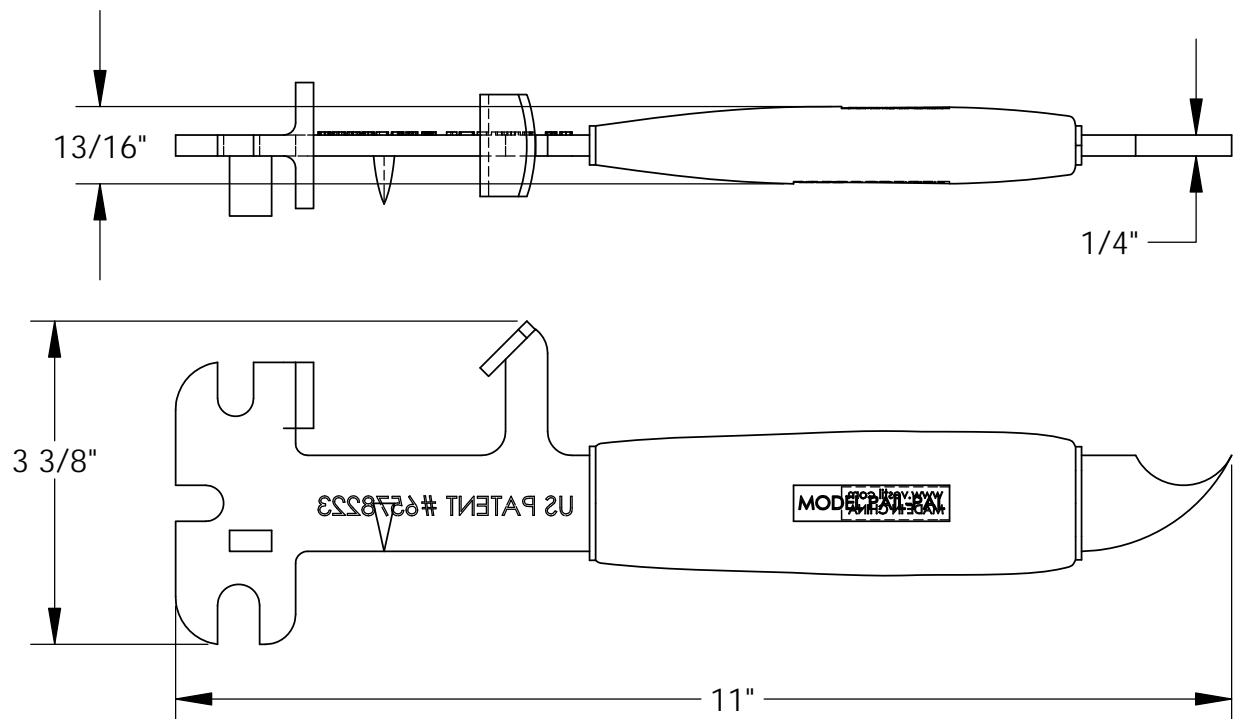


STEEL PAIL PAL (PAIL OPENER) - PAIL PAL

APPROX WEIGHT: 1.63 lbs.
 DOES NOT INCLUDE WEIGHT OF POWER OR PACKAGING!!!

*** ANY ADDITIONS, DELETIONS, OR OMISSIONS MUST BE CORRECTED ON THIS DRAWING AS THIS DRAWING WILL BE CONSIDERED ALL INCLUSIVE ***

ALL GRAPHICS PROVIDED ARE FOR REFERENCE ONLY. IF CERTAIN DIMENSIONS ARE CRITICAL PLEASE VERIFY THOSE DIMENSIONS WITH YOUR SALESPERSON



3D VIEW
 SCALE 1:3

DIMENSION TOLERANCE $\pm 1/4"$

STANDARD FEATURES

MODEL #:PAIL-PAL
 OVERALL LENGTH: 11"
 OVERALL HEIGHT: 3 3/8"
 OVERALL WIDTH: 13/16"
 ACCOMMODATES 5 GAL PLASTIC & STEEL PAILS.
 THE CUTTER IS USED TO CUT A SLIT IN THE LID LIP.
 THE SIDE GUIDE CONVENIENTLY SLIDES UNDER
 THE LID LIP FOR EASY REMOVAL OF THE LID.
 THE END HOOK IS USED TO OPEN STEEL PAILS.
 THE OPPOSITE END IS USED TO CLOSE AND SEAL
 THE LID BY BENDING THE LIP BACK AROUND THE
 STEEL PAIL TOP.

STANDARD FEATURES

NONE

APPROVAL	I, THE UNDERSIGNED, AGREE THAT THE PRODUCT AS REPRESENTED SATISFIES DESIGN AND DIMENSION REQUIREMENTS. I ALSO ACKNOWLEDGE MY DUTY TO CONFIRM PRODUCT AND INSTALLATION COMPLIANCE WITH ALL APPLICABLE FEDERAL, STATE AND LOCAL REGULATIONS AND STANDARDS.	
	ANY MODIFIED UNITS ARE NON-RETURNABLE	
	[] As drawn [] As marked	
	Signed: _____ Date: _____	
Printed Name: _____		
<i>LEAD TIME WILL START UPON RECEIPT OF SIGNED APPROVAL DRAWING</i>		

FOR INTERNAL USE ONLY PROJECT SIGN OFF	
SALES	
ENG.	
FAB.	
POWER	

DISTRIBUTOR'S NAME:		P.O.#
VESTIL MANUFACTURING		X
DRAWN BY: ADL		W.O.#
DATE: 7/11/05		X
REFERENCE: X	SCALE: 1:2	SALES: X
QUOTED LEAD TIME: X	QUOTE #	FILE NAME:
	X	30-007-062