

Product Information Sheet

Grainger Item Number	2VLT3
Mfg's Item No.	HY-29-K2
Description	Toggle Switch
Contact Form	3PST
Function	On / Off
Switch type	Maintained



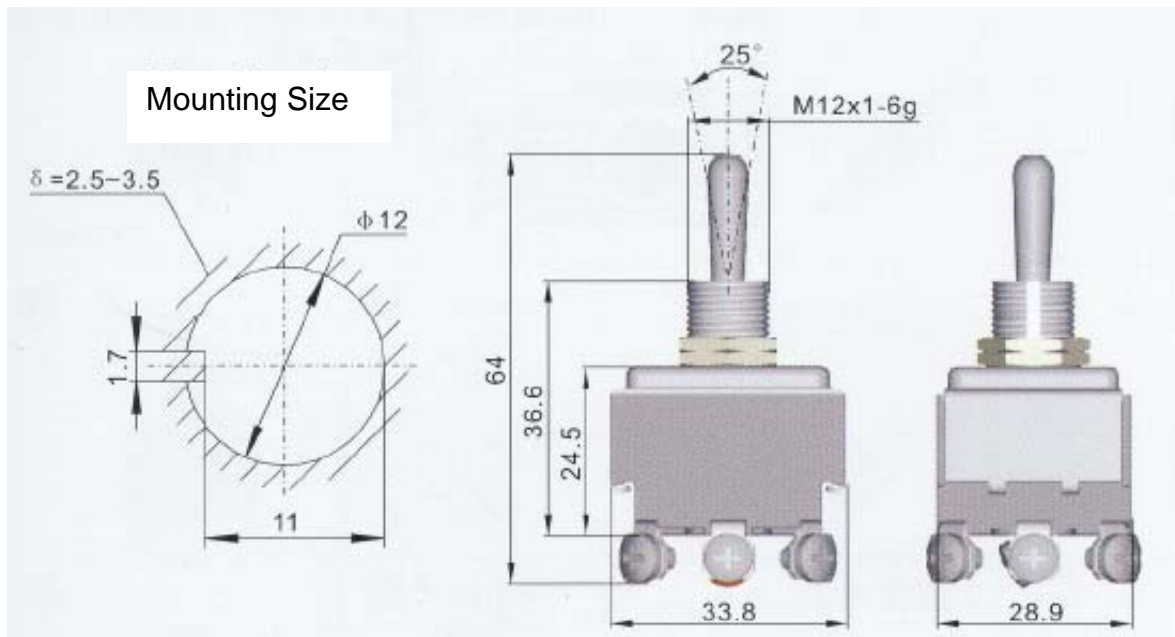
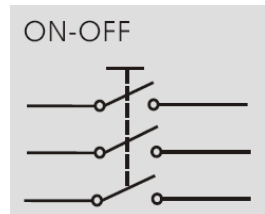
Electrical Specifications

Amp Rating	24A @ 125 VAC 15A @ 277 VAC
Horsepower	2HP @ 125 - 277 VAC
Standards	UL, cUL (E200089), TUV, CE

Mechanical Specifications

Operating Cycles	50000
Number of Connections	6
Terminal Type	Screw
Mounting Type	Panel
Mounting Hole Size	1/2"
Operating Temperature	85°C

Switch Function



All dimensions are in mm