

Product Information Sheet

Grainger Item No.	2VLT2
Mfg's Item No.	HY29-J
Description	Toggle Switch
Contact Form	SPDT
Function	(On) / Off / (On)
Switch type	Momentary On

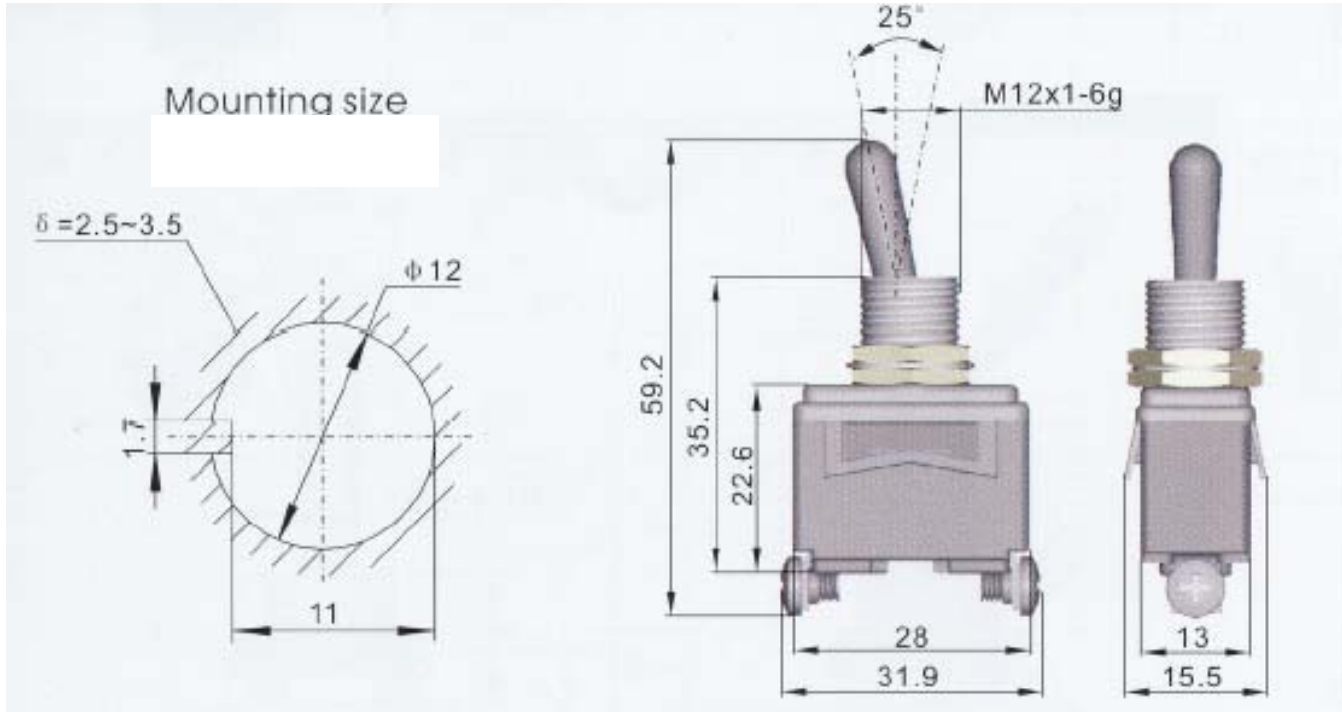
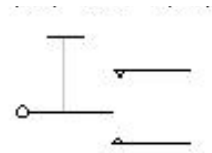


Electrical Specifications

Amp Rating	20A @ 125 VAC 15A @ 277 VAC
Horsepower	1.5HP @ 125 - 277 VAC
Standards	UL, cUL (E200089), TUV, CE

Mechanical Specifications

Operating Cycles	50000
Number of Connections	3
Terminal Type	SCREW
Mounting Type	Panel
Mounting Hole Size	1/2"
Operating Temperature	85 °C



All dimensions are in mm