

# Product Information Sheet

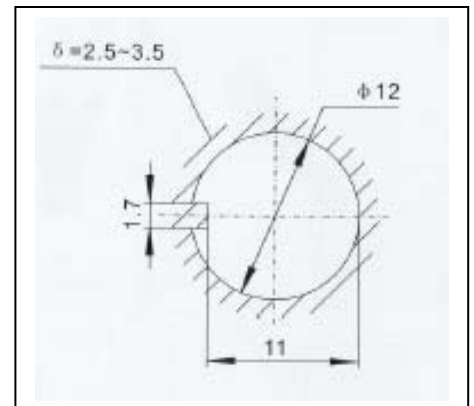
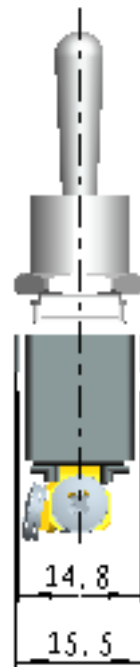
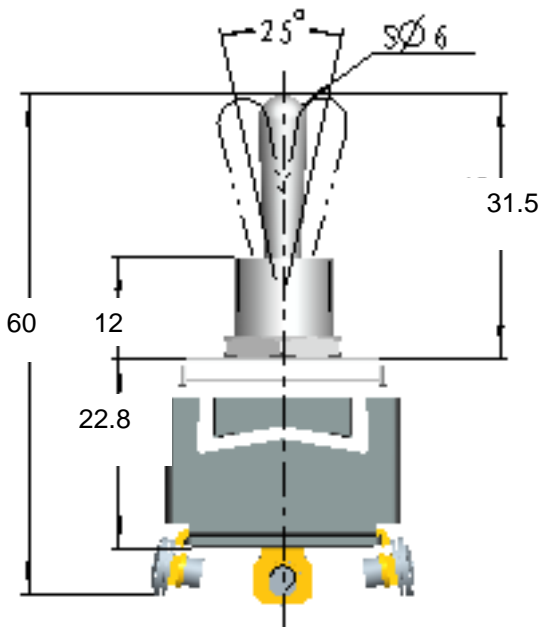
Grainger Item Number 2VLN7  
 Mfg's Item No. HY29F  
 Description Toggle Switch  
 Contact Form SPDT  
 Function On/ Off / On  
 Switch type Maintained

## Electrical Specifications

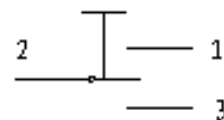
Amp Rating 20A @ 125 VAC  
 15A @ 277 VAC  
 Horsepower 2HP @ 125 - 277 VAC  
 Standards UL, CUL (E200089), TUV, CE

## Mechanical Specifications

Operating Cycles 50,000  
 Number of Connections 3  
 Terminal Type SCREW  
 Mounting Type Panel  
 Mounting Hole Size 1/2"  
 Operating Temperature 85 °C



On - Off - On



All dimensions are in mm