

Product Information Sheet

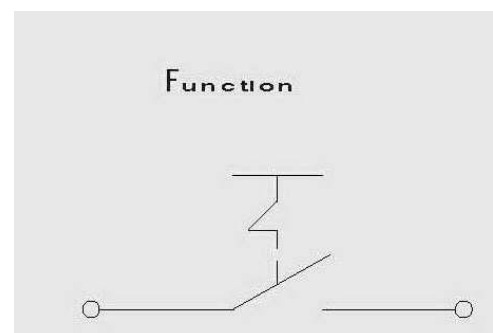
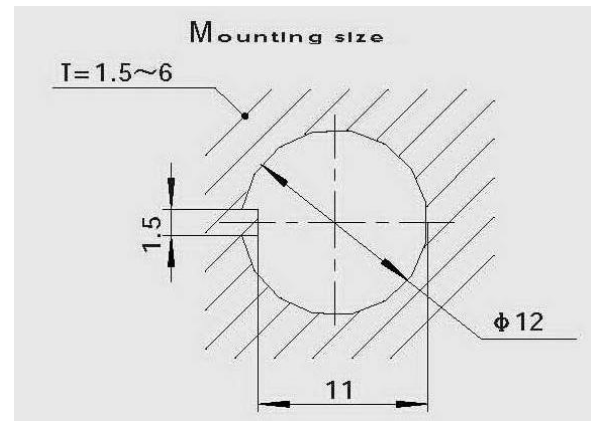
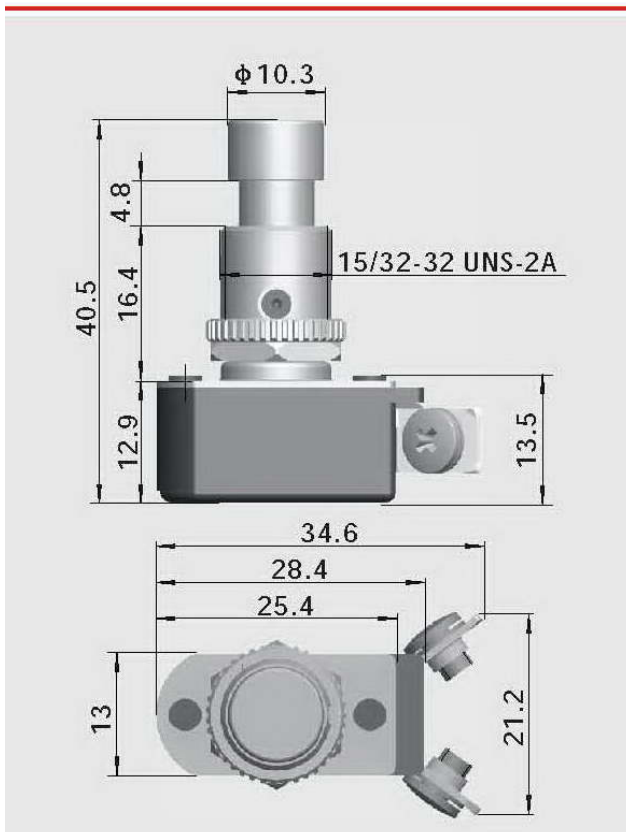
Grainger Item No.	2VLN3
Manufacturer's Item No.	HY29-6
Description	Toggle Switch
Contact Form	SPST
Function	On-Off
Switch type	Maintained

Electrical Specifications

Amp Rating	6A @ 125 VAC 3A @ 250 VAC
Horsepower	
Standards	UL, cUL(E200089),TUV, CE

Mechanical Specifications

Operating Cycles	6,000
Number of Connections	2
Terminal Type	Screw
Mounting Type	Panel
Mounting Hole Size	1/2"
Operating Temperature	65°C



All dimensions are in mm