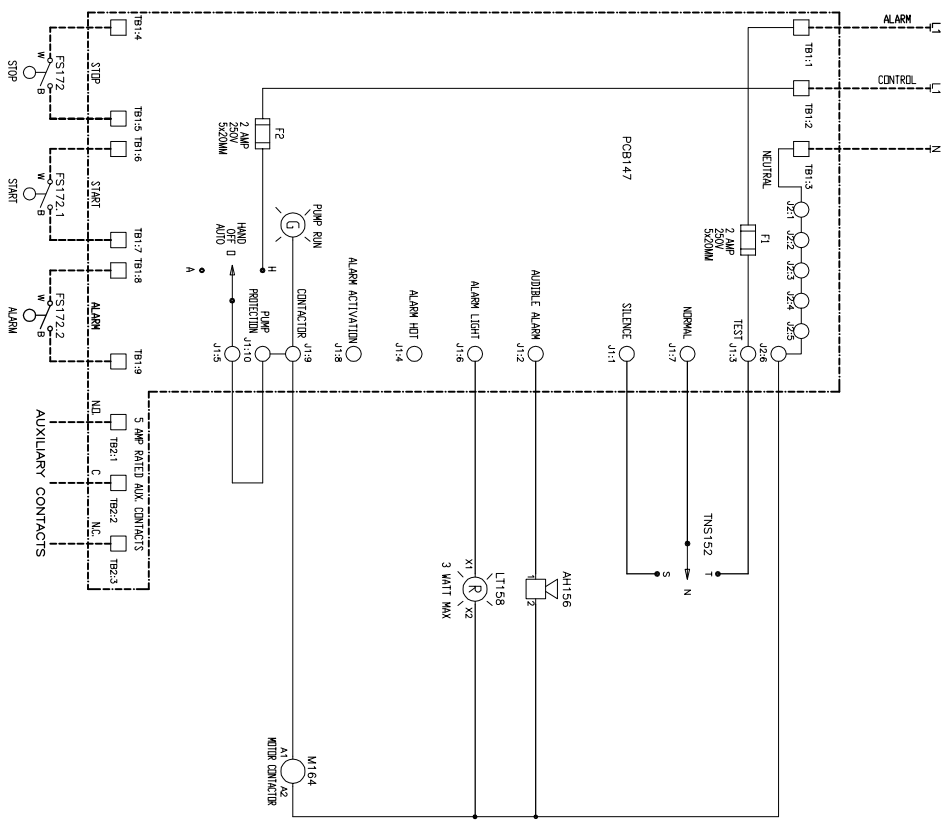


CHART

STOCK #
2PZG2
2PZG3
2PZG4
2PZG5

- 141
- 142
- 143
- 144
- 145
- 146
- 147
- 148
- 149
- 150
- 151
- 152
- 153
- 154
- 155
- 156
- 157
- 158
- 159
- 160
- 161
- 162
- 163
- 164
- 165
- 166
- 167
- 168
- 169
- 170
- 171
- 172
- 173
- 174
- 175
- 176
- 177
- 178
- 179
- 180
- 181



REV	DATE	BY	CHKD BY
1			
2			
3			
4			

REV	DATE	BY	CHKD BY	DATE	APPD BY	DATE	SCALE	INVS SIZE	DATE	PROJECT NO.	TITLE
1	8/22/08									1022894	
2											
3											
4											

NOTICE: THIS DRAWING REPRESENTS INFORMATION AND IS SUBJECT TO CHANGE WITHOUT NOTICE. ANY CHANGES SHALL BE IN THIS DRAWING WITHOUT PRIOR WRITTEN CONSENT.

DAYTON

PROJECT NO. 1022894

TITLE

DATE N/A

REV. A

UTL. REV. SCHEM. TRN. SHX