

Little GIANT®

MCT-10



Applications

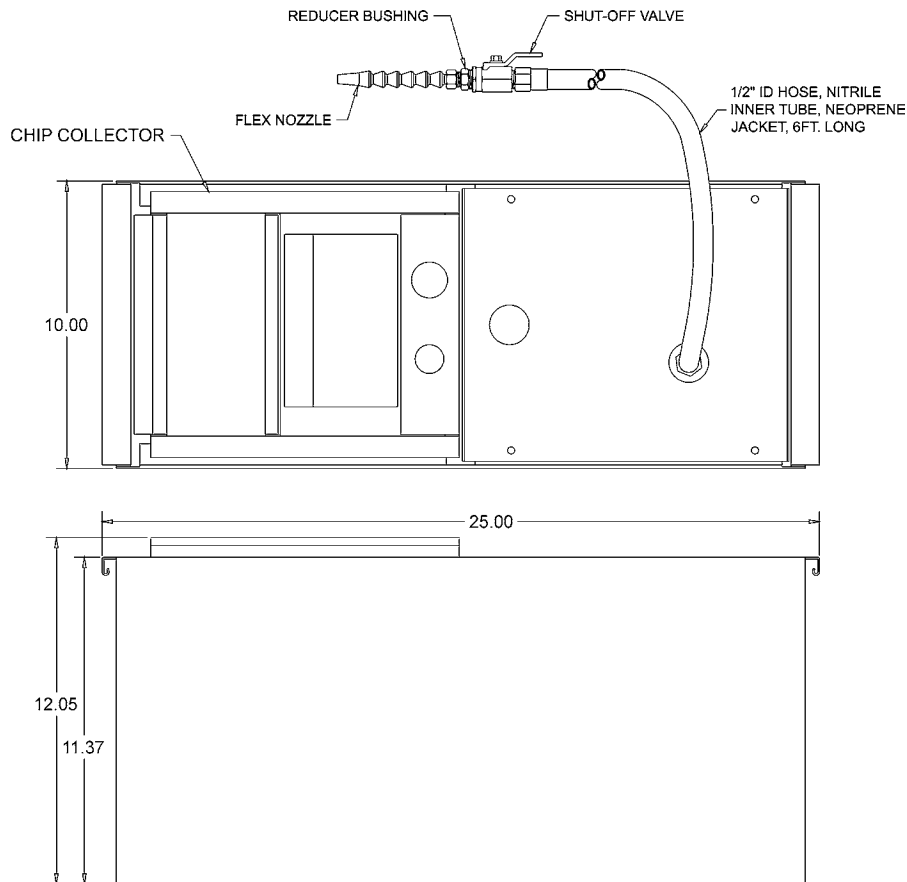
- Drill presses
- Tool grinders
- Tapping machines
- Cut-off saws
- Bench mills
- Lathes

Features

- The flow of coolant liquids can be regulated to any desired amount or completely shut off without harmful effects to the motor.
- Centrifugal pumps are available for all machine tool coolant units.
- Tanks are made of oil resistant heavy gauge painted steel.
- Screen and chip collector are easily removed for fast cleaning.

For use on medium size lathes, grinders, cut off machines, milling and drilling machines using water soluble or light cutting oil. Includes 10 gallon painted metal tank with baffle which provides more settling capacity and coolant volume, 4' neoprene hose with brass nuts, metal flex nozzle and brass control valve. Removable chip collector tray and splash deflector. For use with cutting oils up to 300 SSU viscosity. **This unit does not include a pump.** The pump must be purchased in addition to this tank kit. Below is shown expected flow rates with the four recommended pumps.

MCT-10



Specifications

Model No.	Item No.	Weight (lbs.)	Height	Length	Width
MCT-10	560300	18.9	8.00	10.94	16.56

Recommended Pumps for MCT-10 Units

For MCT Unit	Pump Model No.	Pump Cat. No.	Water Soluble Oil Performance (GPH @ head)					100 SSU. Cutting Oil Performance (GPH @ head)					300 SSU. Cutting Oil Performance (GPH @ head)				
			1'	3'	6'	12'	Shut Off	1'	3'	6'	12'	Shut Off	1'	3'	6'	12'	Shut Off
MCT-10	3E-12N	503103	197	192	182	155	22.4	139	133	123	105	16.8	108	100	93	80	15.7
MCT-10	4E-34N	504103	210	204	192	162	24.3	157	156	150	126	19.4	124	123	120	100	18.6
MCT-10	5-MSP	505000	212	208	198	167	26.8	161	159	154	129	21.4	127	125	123	102	20.5
MCT-10	6-CIMR	506271	185	178	163	118	18.5	138	136	127	92	14.7	108	107	101	73	14.0

Machine Tool Coolant Accessories

Product No.	Model No.	Product Description
160414	3/8" Flex Nozzle	12" of 3/8" flexible metal hose for model MCT-10
940010	3/8" Shut Off	3/8" shut off valve for models MCT-5P, MCT-10
160306	Rubber Hose	3/8" x 1/2" hose coolant for model MCT-10

LittleGIANT®

PO Box 12010 • Oklahoma City, OK 73157

Phone: 800.701.7894 • Fax: 800.701.8046

E-mail: customerservice@littlegiant.com