

# Little GIANT<sup>®</sup>

## MCT-5



### Applications

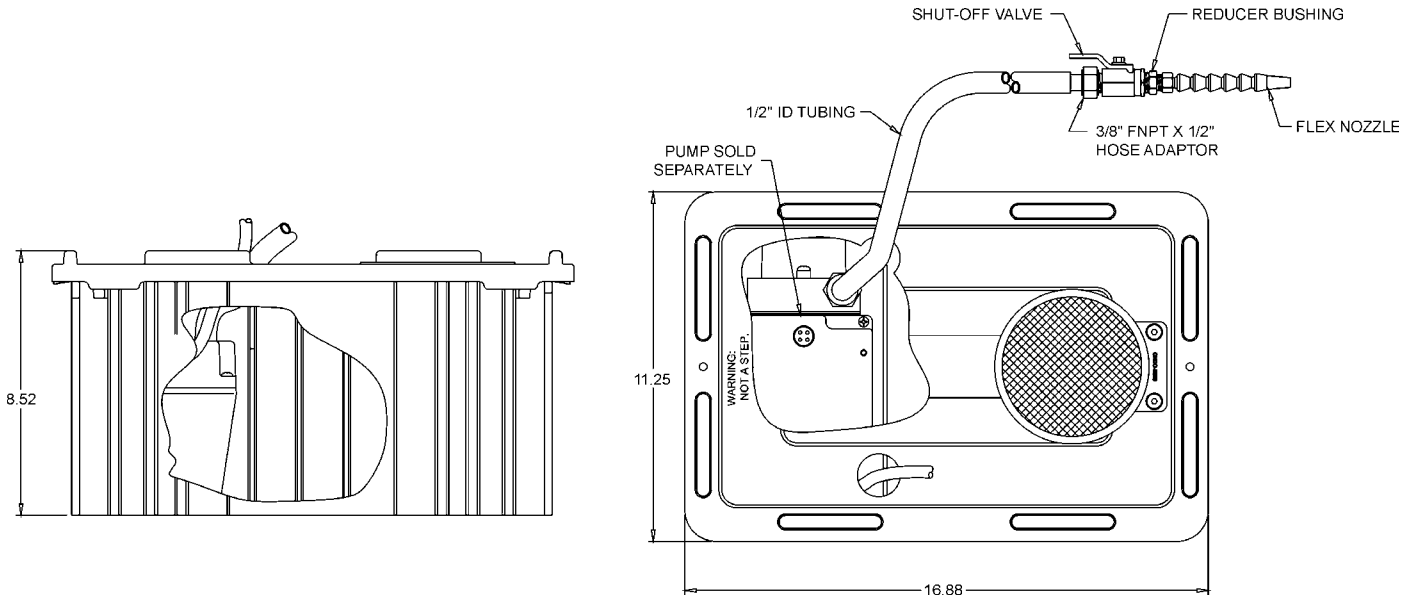
- Drill presses
- Tool grinders
- Tapping machines
- Cut-off saws
- Bench mills
- Lathes

### Features

- The flow of coolant liquids can be regulated to any desired amount or completely shut off without harmful effects to the motor.
- Centrifugal pumps are available for all machine tool coolant units.
- Tanks are made of oil resistant polyethylene.
- Screen and chip collector are easily removed for fast cleaning.

For use on single-drill presses, bench mills, tool grinders, single-spindle tapping machines, cut-off saws and small lathes using water soluble or light cutting oil. Includes 5-gallon polyethylene tank, metal chip collector basket, baffle, 6' plastic hose, metal flex nozzle and brass control valve. All adaptors and fittings included for use with recommended pumps (listed below). Use only pumps recommended for this unit. **This unit does not include a pump.** The pump must be purchased in addition to this tank kit. See chart for expected flow rates with the five recommended pumps and the MCT-5P machine coolant tank.

# MCT-5



## Specifications

Model No.	Item No.	Weight (lbs.)	Height	Length	Width
MCT-5P	560040	19.0	8.00	10.94	16.56

## Recommended Pumps for MCT-5P Units

For MCT Unit	Pump Model No.	Pump Cat. No.	Water Soluble Oil Performance (GPH @ head)					100 SSU. Cutting Oil Performance (GPH @ head)					300 SSU. Cutting Oil Performance (GPH @ head)				
			1'	3'	6'	12'	Shut Off	1'	3'	5'	12'	Shut Off	1'	3'	6'	12'	Shut Off
M-5P	#1-YS	501020	72	60	36	—	7.4	26	16	—	—	3.5					
MCT-5P	NK-1	526003	70	60	40	—	10.2	26	16	—	—	5.0					
MCT-5P	NK-2	527003	82	78	64	6	12.2	40	32	23	—	6.0					
MCT-5P	3E-12N	503103	127	123	113	89	22.4	89	86	79	62	16.8	70	65	60	47	15.7
MCT-5P	4E-34N	504103	134	128	119	100	24.3	95	89	81	68	18.3	75	71	64	54	17.5

## Construction

Tank	Polyethylene
Cover	Acrylic
Chip Collector	Stainless steel
Baffle	Polyethylene

## Machine Tool Coolant Accessories

Product No.	Model No.	Product Description
160413	1/4" Flex Nozzle	12" of 1/4" flexible metal hose