

TE-7-MD-HC

APPLICATIONS

Circulation of highly corrosive acids, alkalis, solvents, brine, plating solutions, sterile solutions, and other highly corrosive chemicals and solutions that are compatible with the pump's material of construction

FEATURES

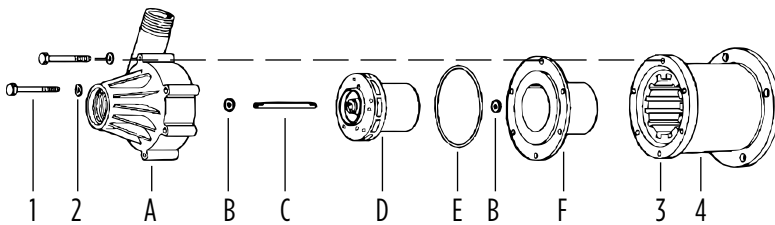
- Non-submersible for in-line use only
- Thermally protected, totally enclosed, fan cooled, capacitor start motor
- Ball bearings
- Conduit box (must be field wired—cord not included)
- Specific gravity to 1.1
- Fluid temperature to 200 °F
- Ambient air temperature to 77 °F
- Run-dry capability up to 8 hours

NOTE: Consult your local distributor or the factory for applications with higher ambient temperatures, specific gravities and viscosities.



SERIES SPECIFICATIONS

Item No.	Model	HP	Volts	Hz	Amps	Watts	Suction	Discharge	GPM per Minute @ Height (60 Hz)					Shut-Off		Cord	Weight
									1'	10'	25'	40'	50'	ft	PSI		
587010	TE-7-MD-HC	3/4	115	50/60	10.4/11.8	1080/1230	1-1/2" FNPT	1" MNPT	53	46.7	40	30.8	21.6	58.9	25.5	-	40.00 lbs
			230	50/60	5.2/5.9	1080/1230			53	46.7	40	30.8	21.6	58.9	25.5		
587040	TE-7-MD-HC 3-Phase	3/4	230	50/60	2.4/2.9	1080/1230	1-1/2" FNPT	1" MNPT	53	46.7	40	30.8	21.6	58.9	25.5	-	40.00 lbs
			460	50/60	1.2/1.45	1080/1230			53	46.7	40	30.8	21.6	58.9	25.5		
587103	TE-7-MD-HC	Pump Head Less Motor					1-1/2" FNPT	1" MNPT	-	-	-	-	-	-	-	-	8.00 lbs



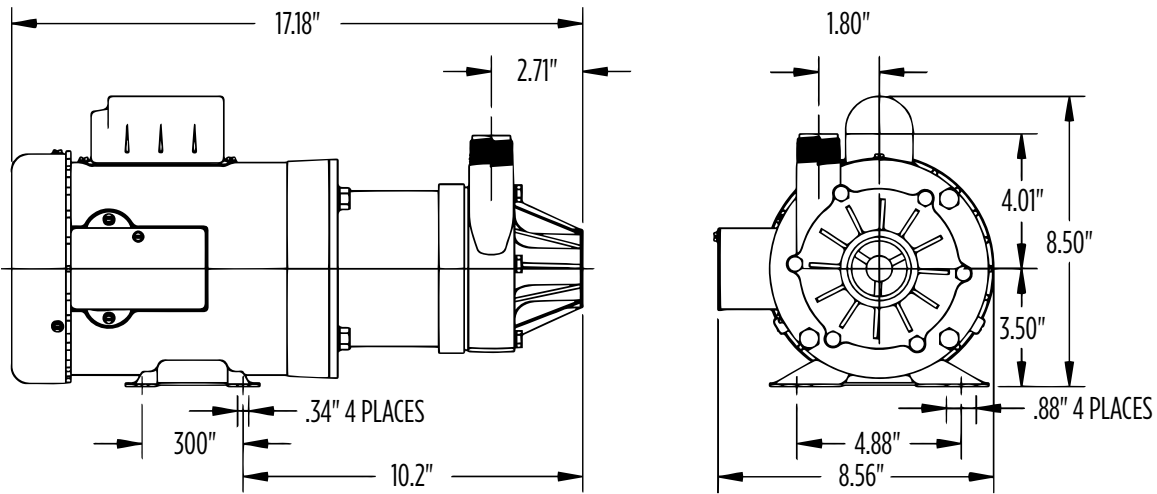
REPLACEMENT PARTS

Item	Part No.	Description
A	187005	Volute
B	187085	Thrust washer
C	187056	Shaft
D	187172	Impeller/Bushing
E	924016	O-ring
F	187023	Backplate
1	903712	Bolt
2	921050	Washer
3	187121	Drive magnet
4	187073	Magnet housing

NOTE: Parts A-F contact fluid

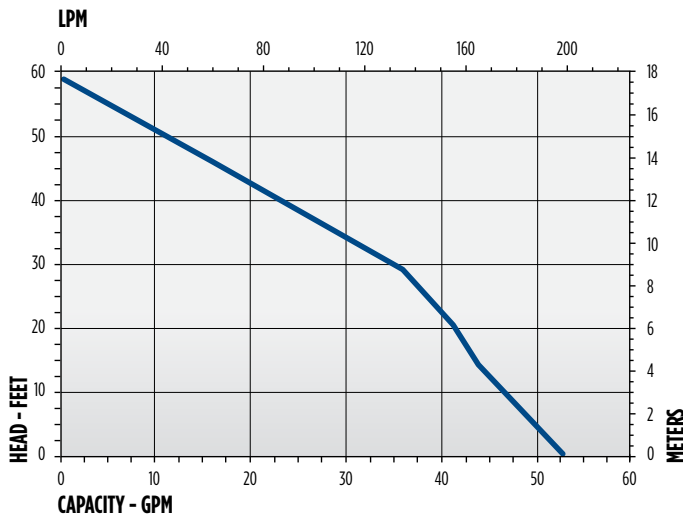
TE-7-MD-HC

ENGINEERING DATA



NOTE: Designs and dimensions may vary for various reasons (i.e. type of motor). This information should be used as general guide rather than an unqualified guarantee. Specifications are subject to change without prior notice.

PERFORMANCE DATA



CONSTRUCTION

Motor Housing	PPS
Impeller Material	PPS w/carbon bushing
Volute	PPS
Motor Shaft	Ceramic
Thrust Washers	Ceramic
O-ring	FKM