

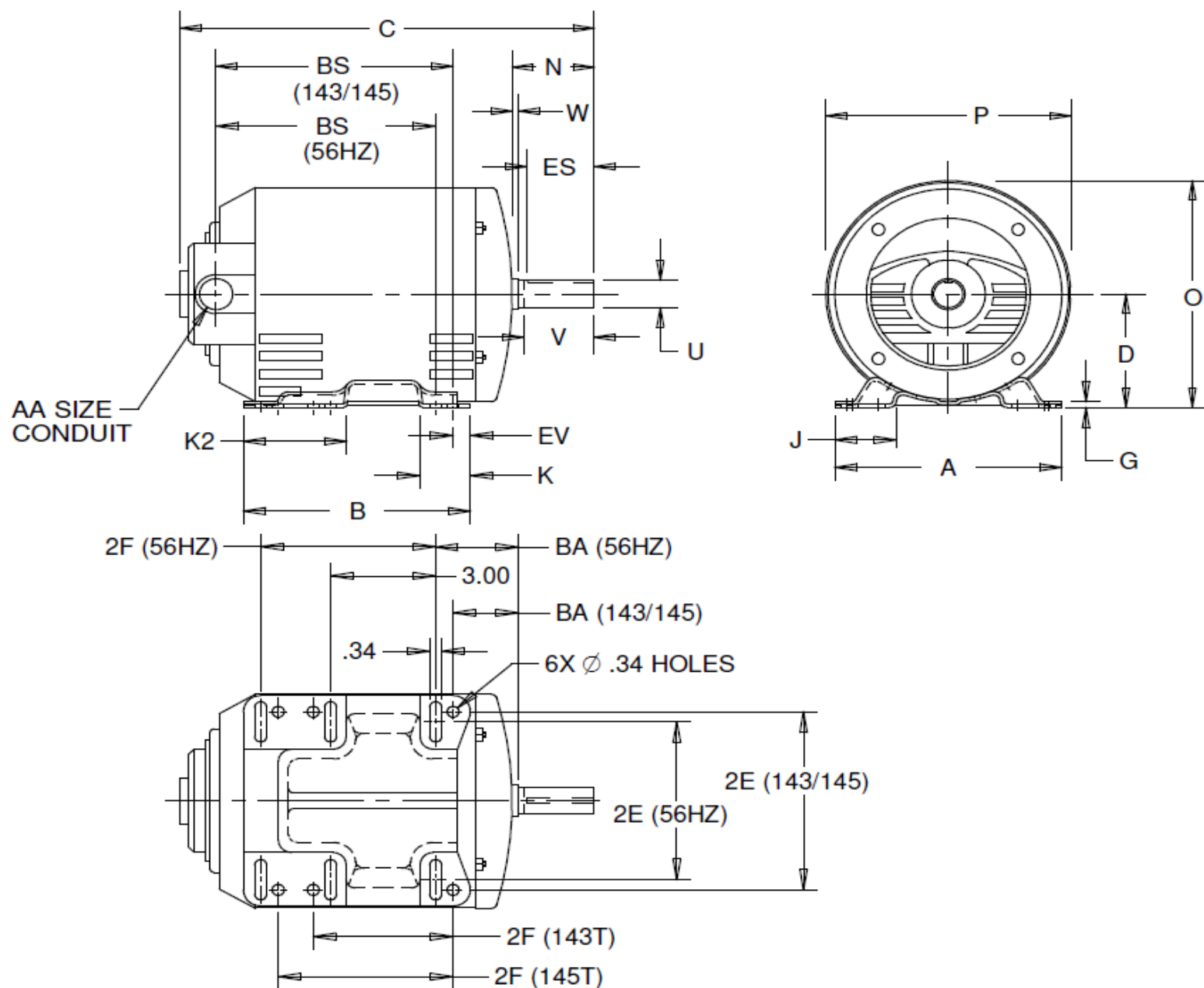
Dimensional Drawing



2NKY2B

REV.

-



ALL DIMENSIONS ARE IN INCHES AND MILLIMETERS

UNITS	A	B	C	D -.06	G	J	K	K2	N
IN	6.50	6.50	12.84	3.50	.13	1.75	1.75	3.25	2.31
MM	165	165	326	89	3	44	44	83	59

UNITS	O	P ²	U -.0005	V MIN	W	AA	ES MIN	EV	SQ KEY
IN	6.72	6.44	.8750	2.00	.06	3/4 NPT	1.41	.50	.188
MM	171	164	22.225	51	2		36	13	4.78

FRAME	UNITS	2E ±.03	2F ±.03	BA	BS
56HZ (6.50")	IN	4.88	5.00	2.75	6.41
	MM	124	127	70	163
143T (6.50")	IN	5.50	4.00	2.25	6.91
	MM	140	102	57	176
145T (6.50")	IN	5.50	5.00	2.25	6.91
	MM	140	127	57	176

1. ALL ROUGH DIMENSIONS MAY VARY BY .25" DUE TO CASTING AND/OR FABRICATION VARIATIONS.
2. LARGEST MOTOR WIDTH.
3. TOLERANCES SHOWN ARE IN INCHES ONLY.

DRAWING NO.	PAGE 1 of 1	REV.
	2NKY2B	-

Dayton Electric Mfg. Co. Lake Forest, IL 60045 USA

Performance Data



2NKY2B

REV.
-

MOTOR PERFORMANCE

MODEL NO.	CATALOG NO.	PHASE	TYPE	FRAME
2NKY2B	NA	3	DE	143-5T/56HZ

ORDER NO.	25120	LINE NO.
-----------	-------	----------

MPI:		182298	182299	182301	182302
HP:		2	2	2	2
POLES:		4	4	4	4
VOLTS:		460	230	380	190
HZ:		60	60	50	50
SERVICE FACTOR:		1.15	1.15	1.15	1.15
EFFICIENCY (%):					
	S.F.	86.3	86.3	81.7	81.7
	FULL	86.5	86.5	83.7	83.7
	3/4	86.7	86.7	85.6	85.6
	1/2	84.6	84.6	85.2	85.2
	1/4	76.5	76.5	79.2	79.2
POWER FACTOR (%):					
	S.F.	80.7	80.7	85.8	85.8
	FULL	77.4	77.4	83.2	83.2
	3/4	68.9	68.9	76	76
	1/2	55.2	55.2	63	63
	1/4	34.7	34.7	40.6	40.6
	NO LOAD	7.3	7.3	7.4	7.4
	LOCKED ROTOR	68.8	68.8	73.8	73.8
AMPS:					
	S.F.	3.1	6.2	3.7	7.4
	FULL	2.8	5.6	3.3	6.6
	3/4	2.4	4.7	2.6	5.2
	1/2	2	4	2.1	4.2
	1/4	1.8	3.5	1.8	3.5
	NO LOAD	1.7	3.4	1.7	3.4
	LOCKED ROTOR	24.1	48	21.4	43
NEMA CODE LETTER		L	L	H	H
NEMA DESIGN LETTER		B	B	B	B
FULL LOAD RPM		1745	1745	1420	1420
NEMA NOMINAL / EFFICIENCY (%)		86.5	86.5	83.7	83.7
GUARANTEED EFFICIENCY (%)		84	84	80	80
MAX KVAR		1.2	1.2	1	1
AMBIENT (°C)		40	40	40	40
ALTITUDE (FASL)		3300	3300	3300	3300
SAFE STALL TIME-HOT (SEC)		10	10	14	14
SOUND PRESSURE (DBA @ 1M)		55	55	0	51
TORQUES:					
	BREAKDOWN{% F.L.}	478	478	357	357
	LOCKED ROTOR{% F.L.}	396	396	310	310
	FULL LOAD{LB-FT}	6	6	7.4	7.4

NEMA Nominal and Guaranteed Efficiencies are up to 3,300 feet above sea level and 25 ° C ambient

The Above Data Is Typical, Sinewave Power Unless Noted Otherwise

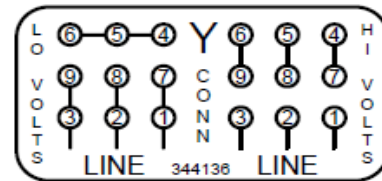
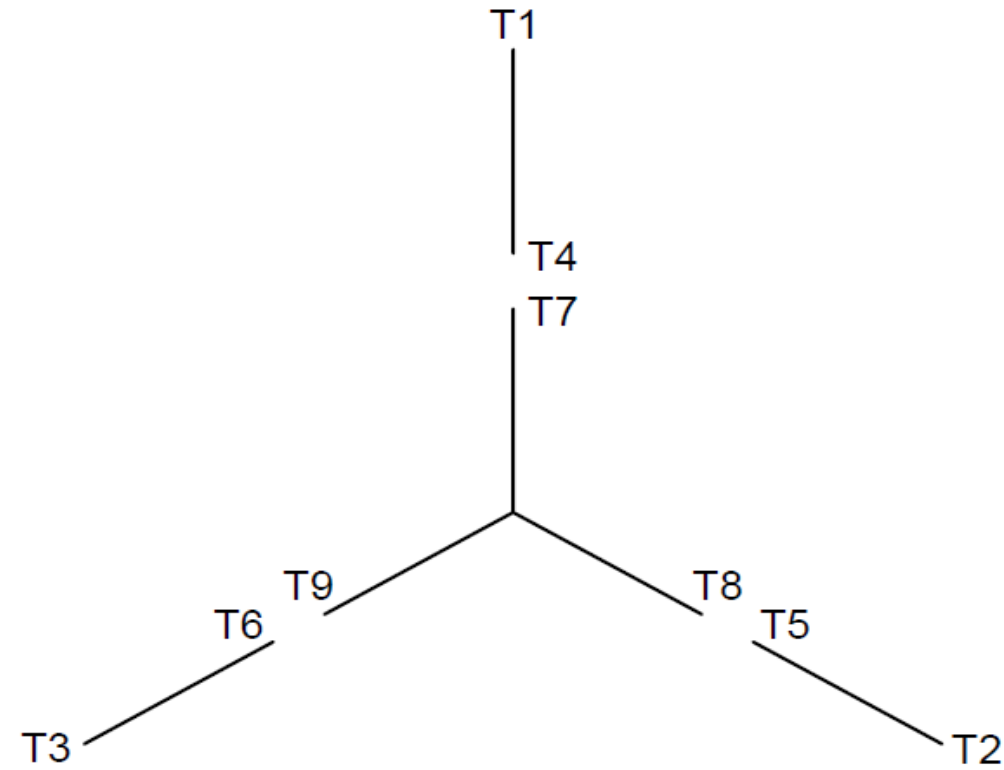
DRAWING NO.	PAGE 1 of 1	REV.
	2NKY2B	-

Dayton Electric Mfg. Co. Lake Forest, IL 60045 USA

2NKY2B

REV.
0

9 Lead, Dual Voltage (WYE Conn.)



To reverse direction of rotation, interchange leads L1 & L2.
 Each lead may have one or more cables comprising that lead.
 In such case, cable will be marked with the appropriate lead number.

DRAWING NO.	PAGE 1 of 1	REV.
2NKY2B		0

Dayton[®]Part No. **2NKY2B****INDUSTRIAL
MOTOR**

CC 030A

**NEMA
Premium**[™]SHAFT
END BRG **6205-2Z-J/C3**OPP
END BRG **6203-2Z-J/C3**FR **143-5T/56HZ**TYPE **DE**ENCL **ODP**PH **3** MAX
AMB **40 °C** ID#INSUL
CLASS **F** DUTY **CONT** WT **35 LB**

BAL

HZ **60** HP **2** RPM **1745**SF **1.15** DESIGN **B** CODE **L**GUARANTEED
EFFICIENCY **84.0** MAX
KVAR **1.2**NEMA NOM
EFFICIENCY **86.5** NOM
PF **77.4**VOLTS **230/460**FL AMPS **5.6/2.8**SF AMPS **6.2/3.1**HZ **50** HP **2** RPM **1420**SF **1.15** DESIGN **B** CODE **H**GUARANTEED
EFFICIENCY **80.0** MAX
KVAR **1.0**NEMA NOM
EFFICIENCY **83.7** NOM
PF **83.2**VOLTS **190/380**FL AMPS **6.6/3.3**SF AMPS **7.4/3.7**

644771-007 MADE IN MEXICO OF IMPORTED AND DOMESTIC COMPONENTS

Mfd. for Dayton Electric Mfg. Co.
Lake Forest, IL 60045 USAENERGY
EFFICIENCY
C **AP** [®] US
E47479**SP**[®]
258525