



FITTINGS

ALUMINUM AND IRON OUTLET BODIES



GRUE-75A



Class I, Div. 1 & 2, Groups B, C, D
 Class I, Zone I, Groups IIC, IIB, IIA
 Class II, Div. 1 & 2, Groups E, F, G
 Class III
 Type 4X



ATEX/IEC Ex Pending

FEATURES-SPECIFICATIONS

Applications

GRUE Series conduit boxes are installed in conduit systems within hazardous areas to:

- Protect conductors in threaded rigid conduit
- Act as pull and splice boxes
- Interconnect lengths of conduit
- Change conduit direction
- Provide access to conductors for maintenance and future system changes

Features

- Smooth, rounded integral bushing in each hub protects conductor insulation
- Cast in mounting lugs
- Green ground screw
- Cover and gasket furnished with box as standard
- 5 threaded hub locations includes 3 close-up plugs
- External threaded body provides additional wiring room
- Optional drilled and tapped metric threads – contact factory

Size Ranges

- Hub – 1/2", 3/4", 1"
- Cover opening – 3-1/2"

Material/Finish

Aluminum

- **BODY** Copper-free aluminum (less than 4/10 of 1%)
- **FINISH** Electrostatically applied powder coating
- **COVER** (Aluminum) Copper-free aluminum (less than 4/10 of 1%). Electrostatically applied powder coating

Iron

- **BODY** Duraloy iron alloy
- **FINISH** Tri-coat finish of electrozinc, chromate sealant, and electrostatically applied powder coating
- **COVER** (Aluminum) Copper-free aluminum (less than 4/10 of 1%). Electrostatically applied powder coating

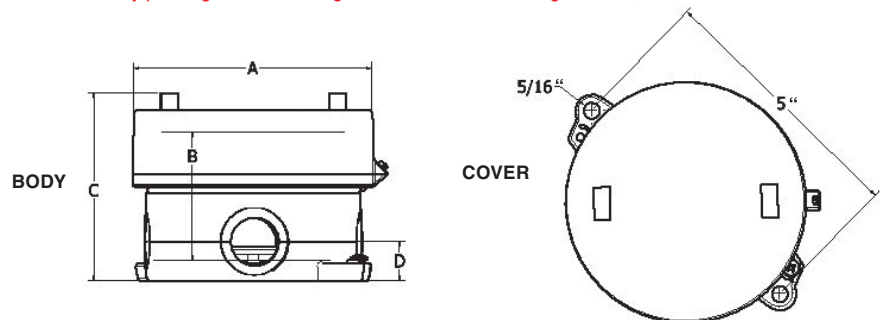
GRUE TYPE OUTLET BODY – ALUMINUM							
CATALOG NUMBER	HUB SIZE	DIMENSIONS				COVER OPENING	VOLUME CU. IN.
		A	B	C	D		
GRUE-50A	1/2"	4-1/2" (114)	2-3/8" (60)	3-1/2" (89)	11/16" (17)	3-1/2" (89)	25
GRUE-75A	3/4"	4-1/2" (114)	2-3/8" (60)	3-1/2" (89)	11/16" (17)	3-1/2" (89)	25
GRUE-100A	1"	4-1/2" (114)	2-3/8" (60)	3-1/2" (89)	15/16" (24)	3-1/2" (89)	25
GRUC-SCA	N/A	SEALING COVER				N/A	N/A

* For outlet body packaged with sealing cover add SC to catalog number, GRUE-50A-SC

GRUE TYPE OUTLET BODY – DURALLOY IRON							
CATALOG NUMBER	HUB SIZE	DIMENSIONS				COVER OPENING	VOLUME CU. IN.
		A	B	C	D		
GRUE-50	1/2"	4-1/2" (114)	2-3/8" (60)	3-1/2" (89)	11/16" (17)	3-1/2" (89)	25
GRUE-75	3/4"	4-1/2" (114)	2-3/8" (60)	3-1/2" (89)	11/16" (17)	3-1/2" (89)	25
GRUE-100	1"	4-1/2" (114)	2-3/8" (60)	3-1/2" (89)	15/16" (24)	3-1/2" (89)	25
GRUC-SC	N/A	SEALING COVER				N/A	N/A

* For outlet body packaged with sealing cover add SC to catalog number, GRUE-50SC

For ATEX and IEC Ex certified GRUE fittings, contact factory.





OUTLET BODIES



GRSA



GRR



GRCEX-0
(For GRR & GRSS only)

Class I, Div. 1 & 2, Groups C, D
Class II, Div. 1 & 2, Groups E, F, G
Class III

LISTED - File E10514

Certified - File LR11716
See files for details or call Killark.

FEATURES-SPECIFICATIONS

GRSA

Features

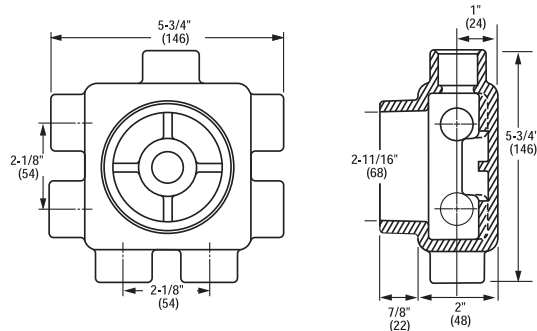
- Cast conduit hubs with integral bushings
- Cover included
- Replacement cover catalog number GECBC
- Five close-up plugs included
- Sealing, hub, dome covers and gaskets available (page F58)

Material/Finish

- Copper-free aluminum (less than 4/10 of 1%)
- Electrostatically applied powder coating

GRSA W/BLANK COVER		
CATALOG NUMBER	HUBS	VOLUME CU. IN.
GRSA	Furnished with eight 3/4" hubs including one 3/4" flush hub in back center	26.5

Dimensions



GRR

Features

- Cast conduit hubs with integral bushings
- Blank cover included
- Replacement cover catalog number GRRBC
- Compact size
- Supplied with five hubs and three close-up plugs

Material/Finish

- Copper-free aluminum (less than 4/10 of 1%)
- Electrostatically applied powder coating

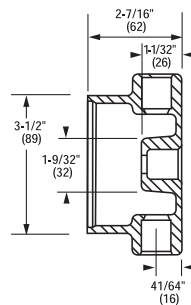
GRR W/ BLANK COVER		
CATALOG NUMBER	HUB SIZE	VOLUME CU. IN.
GRR-1	1/2"	13.0
GRR-2	3/4"	13.0
GRR-3	1"	14.0

Blank Cover-only-GRRBC

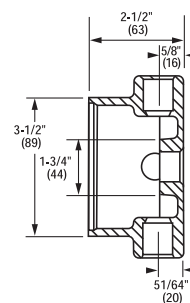
GASKET (RUBBER)
CATALOG NUMBER
GEC-RG

EXTENSION*
CATALOG NUMBER
GRCEX-0

* Adds 2-7/8" to body depth and 16.48 cu. in.



GRR 1 & 2



GRR-3



FITTINGS

OUTLET BODIES



Class I, Div. 1 & 2, Groups C, D
Class II, Div. 1 & 2, Groups E, F, G
Class III

UL LISTED - File E10514

SP Certified - File LR11716
See files for details or call Killark.

FEATURES-SPECIFICATIONS

GRSS/GRSSA

Features

- Internal hubs
- Blank cover included (Cat. No. GRRBC)
- Compact design and multiple hub configurations
- Furnished with internal ground screw
- Cast-in brackets on cover for use with breaker-bar tools

GRSS TYPE

Furnished with seven internal hubs, two hubs are on the top and bottom, one each on the two sides and one hub in the back. Four close-up plugs supplied. Series GUM unions can be used.

Note: for mounting lugs on GRSS series, contact factory.

- Mounting lug slot 7/16"

GRSSA TYPE

Furnished with 13 hubs, two on each side and five in back. Five close-up plugs are supplied.

Material/Finish – Aluminum Body

- Copper-free aluminum (less than 4/10 of 1%)
- Electrostatically applied powder coating

Material/Finish – Duraloy Iron Body

- Duraloy iron alloy
- Tri-Coat finish of Electro zinc, Chromate Sealant and electrostatically applied powder coating

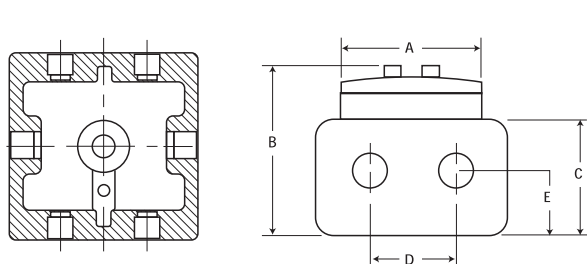
Material/Finish – GR Series Cover

- Copper-free aluminum (less than 4/10 of 1%)
- Electrostatically applied powder coating

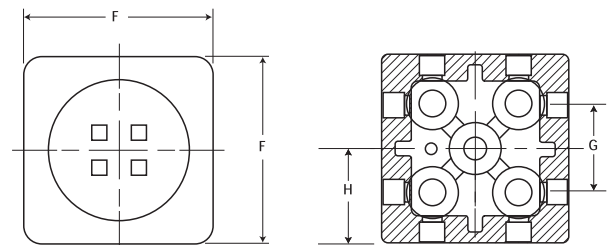
GRSS				
KILLARK ALUM.	DURALOY IRON	HUB SIZE	NUMBER OF OPENINGS	NUMBER OF CLOSE-UP PLUGS FURNISHED
GRSS-1	GRSS-1M	1/2"	7	4
GRSS-2	GRSS-2M	3/4"	7	4
GRSS-3	GRSS-3M	1"	7	4
GRSS WITH LUGS				
GRSS-1L	-	1/2"	7	4
GRSS-2L	-	3/4"	7	4
GRSS-3L	-	1"	7	4
GRSSA				
GRSSA-1	-	1/2"	13	5
GRSSA-2	-	3/4"	13	5

GASKET (RUBBER)		EXTENSION*	
CATALOG NUMBER		CATALOG NUMBER	
GEC-RG		GRCEX-0	

* Adds 2-7/8" to bod depth and 16.48 cu. in.



GRSS Dimensions



GRSSA Dimensions

GRSS/GRSSA DIMENSIONS													
CATALOG NUMBER	HUB SIZE	NO. OF OPENINGS	CLOSE-UP PLUGS FURNISHED	DIMENSIONS IN INCHES								COVER OPENINGS	VOLUME CU. IN.
				A	B	C	D	E	F	G	H		
GRSS-1	1/2"	7	4	3-1/2"	3-1/2"	2-3/8"	2-1/8"	1-3/16"	4-5/8"	N/A	1-1/4"	3-1/8"	29
GRSS-2	3/4"	7	4	3-1/2"	3-1/2"	2-3/8"	2-1/8"	1-3/16"	4-5/8"	N/A	1-1/4"	3-1/8"	29
GRSS-3	1"	7	4	3-1/2"	3-1/2"	2-3/8"	2-1/8"	1-3/16"	4-5/8"	N/A	1-1/4"	3-1/8"	29
GRSSA-1	1/2"	13	5	3-1/2"	3-1/2"	2-3/8"	2-1/8"	1-3/16"	4-5/8"	2-1/8"	1-1/4"	3-1/8"	20
GRSSA-2	3/4"	13	5	3-1/2"	3-1/2"	2-3/8"	2-1/8"	1-3/16"	4-5/8"	2-1/8"	1-1/4"	3-1/8"	20