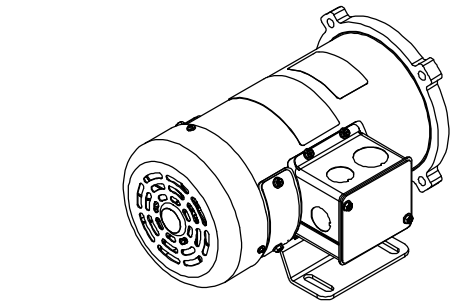
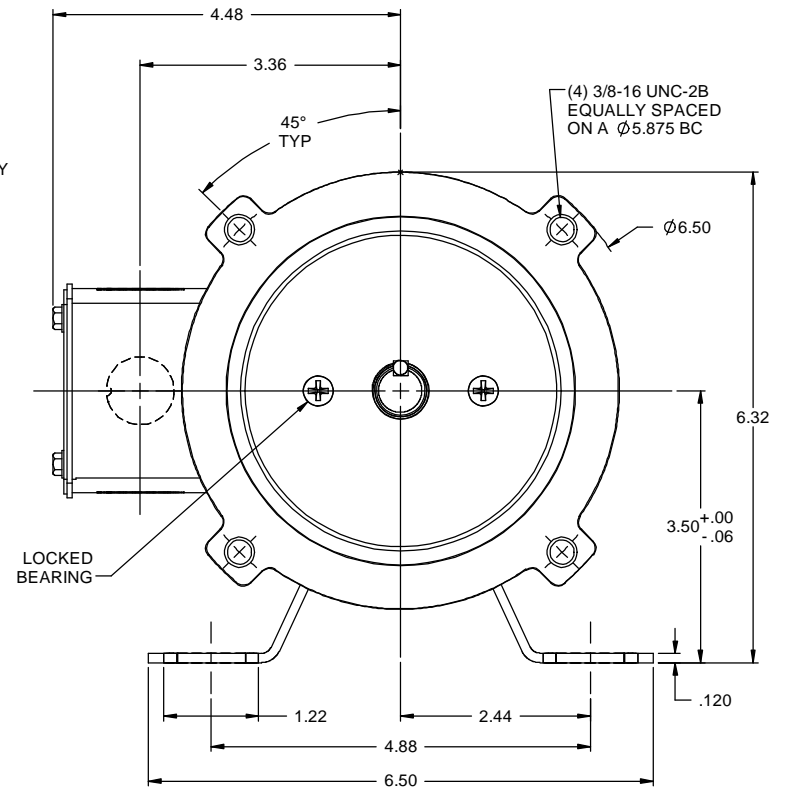
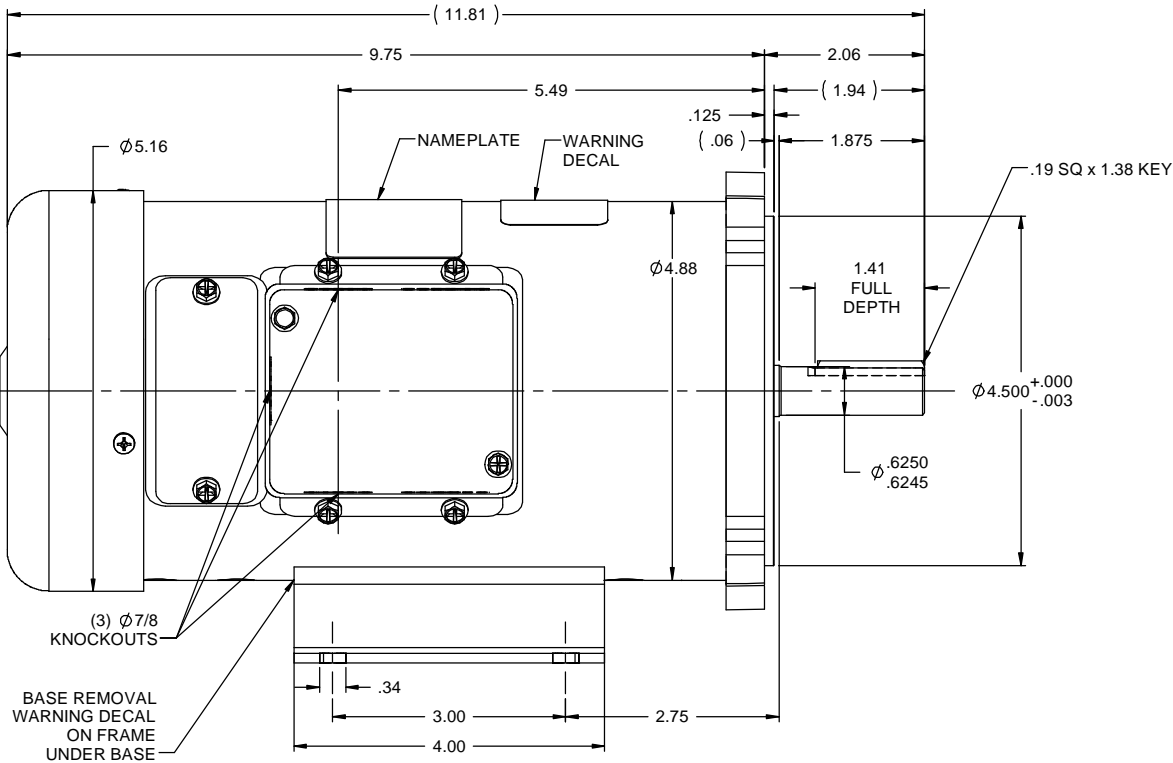


COPYRIGHT GRAINGER VENDOR 4436 ALL RIGHTS RESERVED.
 PROPRIETARY AND CONFIDENTIAL INFORMATION - THIS DOCUMENT IS THE PROPERTY OF
 GRAINGER VENDOR 4436 ("OWNER") AND CONTAINS OWNER'S PROPRIETARY
 INFORMATION. ANY PERSON, CORPORATION OR OTHER FIRM RECEIVING IT IS DEEMED,
 BY RECEIVING IT, TO AGREE THAT IT, AND/OR ANY PART OF IT, (A) SHALL NOT BE DISCLOSED
 TO ANY PERSON, CORPORATION OR OTHER ENTITY, DUPLICATED, AND/OR USED, EXCEPT
 AS EXPRESSLY APPROVED IN WRITING IN ADVANCE BY OWNER. THIS DOCUMENT SHALL
 BE RETURNED TO OWNER UPON REQUEST. IT MAY BE SUBJECT TO CERTAIN
 RESTRICTIONS UNDER APPLICABLE EXPORT CONTROL LAWS AND REGULATIONS.



- NOTES:
 1) MAXIMUM FACE RUNOUT .004 T.I.R.
 2) MAXIMUM PILOT ECCENTRICITY .004 T.I.R.
 3) PERMISSIBLE SHAFT RUNOUT .002 T.I.R.
 4) GASKETS THROUGHOUT.

		TOLERANCES UNLESS SPECIFIED		Dayton Electric Mfg. Co. Lake Forest, IL 60045 USA		DRAWN IPG 3/7/12	
		DEC	INCHES			CHK	APPR
		X	±.1	TITLE OUTLINE		SCALE 5:8	
		XX	±.03	42 FRAME DC - SS56C MOUNT		REF 027620	
		XXX	±.005	MATL		FMF 2M168	
00	RELEASED	IPG	3/7/12	XXXX	±.0005		PAGE OF
NO	REVISION	BY & DATE	CHK	ANG	±1/2°	FINISH	
			RFP	PREV		SIZE	DRAWING NO
			NETWORK FILE NAME 2M168.OD			B	2M168.OD
							REV 00

