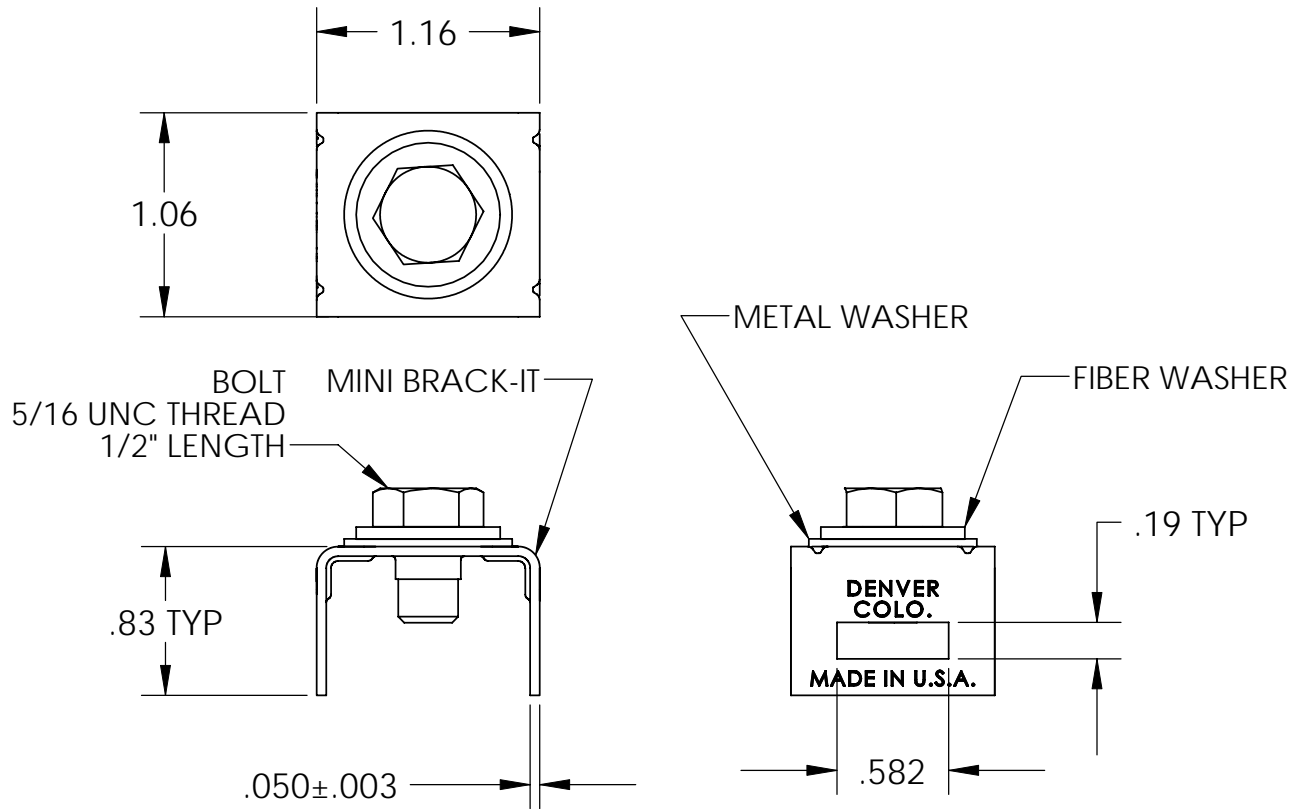


# CUSTOMER SPECIFICATION DRAWING



**NOTES:**

1. 25 ASSEMBLIES PER BOX.
2. MATERIAL PER BAND-IT SPECIFICATIONS:
  - BRACK-IT = 201 STAINLESS STEEL
  - FIBER WASHER = WHITE POLYPROPYLENE
  - METAL WASHER = 18-8 STAINLESS STEEL
  - BOLT = 18-8 STAINLESS STEEL

ABOVE SPECIFICATION CERTIFIED BY: \_\_\_\_\_ DATE: \_\_\_\_\_

TITLE: \_\_\_\_\_

UNLESS OTHERWISE NOTED:  
DIMENSIONS ARE IN INCHES  
AFTER FINISH

TOLERANCES:  
 .X ..... ±0.100  
 .XX ..... ±0.020  
 .XXX ..... ±0.005  
 .XXXX ..... ±0.001  
 ANGLES ..... ±0.5°

**BAND-IT**®

A unit of ~~DEX~~ Corporation  
 P.O. Box 16307  
 Denver, Colorado U.S.A.

**PROPRIETARY AND CONFIDENTIAL**

THIS DRAWING WITH ALL  
 CONTENTS IS PROPERTY OF  
 BAND-IT. REPRODUCTION,  
 DISCLOSURE OR MFG.  
 OF MATTER SHOWN IS PROHIBITED  
 WITHOUT WRITTEN PERMISSION.

DO NOT SCALE DRAWING

TITLE:

**MINI BRACK-IT, STRAIGHT  
 LEG, GRAINGER**

DWG. NO.

**GRD315**

REV -

SHEET 2 OF 2