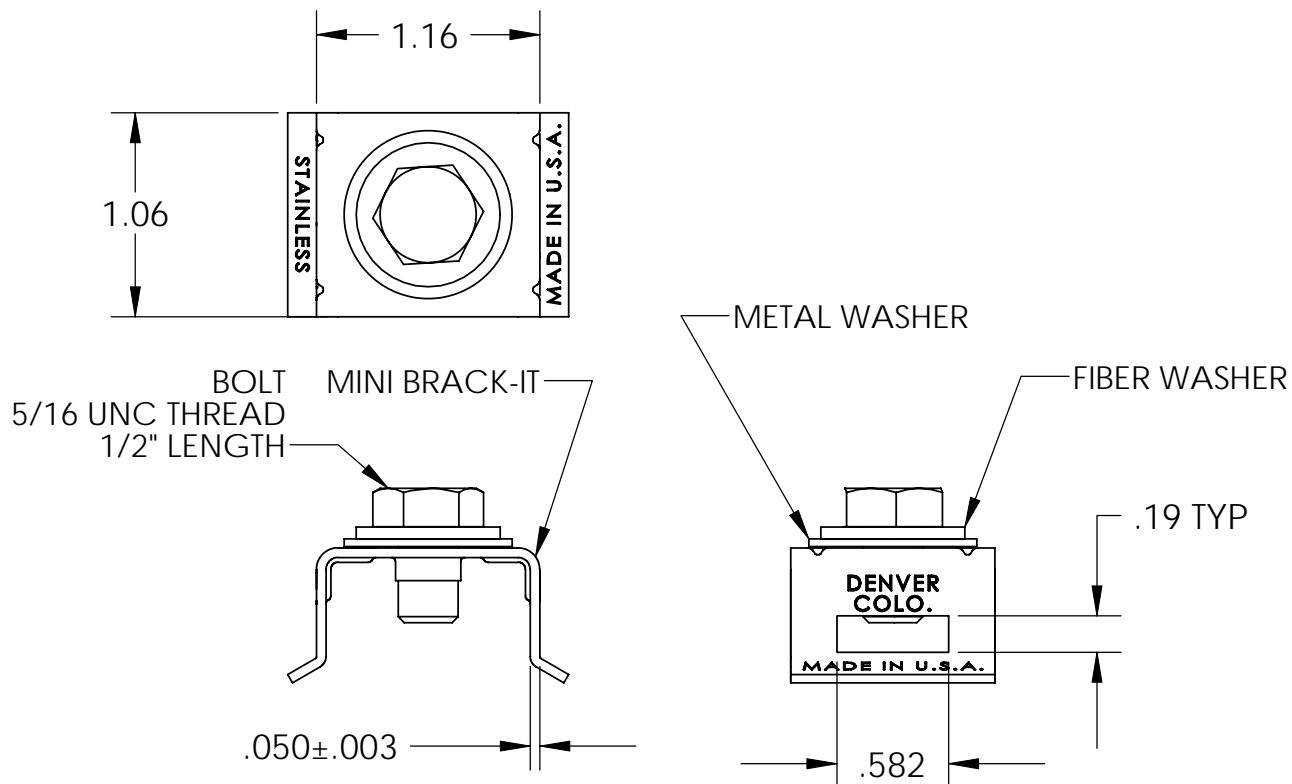


CUSTOMER SPECIFICATION DRAWING



NOTES:

1. 25 ASSEMBLIES PER BOX.
2. MATERIAL PER BAND-IT SPECIFICATIONS:
 - BRACK-IT = 201 STAINLESS STEEL
 - FIBER WASHER = WHITE POLYPROPYLENE
 - METAL WASHER = 18-8 STAINLESS STEEL
 - BOLT = 18-8 STAINLESS STEEL

ABOVE SPECIFICATION CERTIFIED BY: _____ DATE: _____

TITLE: _____

UNLESS OTHERWISE NOTED:
DIMENSIONS ARE IN INCHES
AFTER FINISH

TOLERANCES:
.X ±0.100
.XX ±0.020
.XXX ±0.005
.XXXX ±0.001
ANGLES ±0.5°

BAND-IT®

A unit of **DEX** Corporation
P.O. Box 16307
Denver, Colorado U.S.A.

PROPRIETARY AND CONFIDENTIAL

THIS DRAWING WITH ALL
CONTENTS IS PROPERTY OF
BAND-IT. REPRODUCTION,
DISCLOSURE OR MFG.
OF MATTER SHOWN IS PROHIBITED
WITHOUT WRITTEN PERMISSION.

DO NOT SCALE DRAWING

TITLE:

**BRACK-IT, MINI FLARED
LEG, GRAINGER**

DWG. NO.

GRD310

REV -

SHEET 2 OF 2