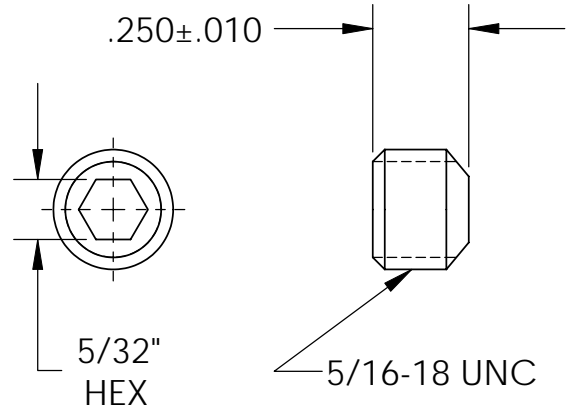
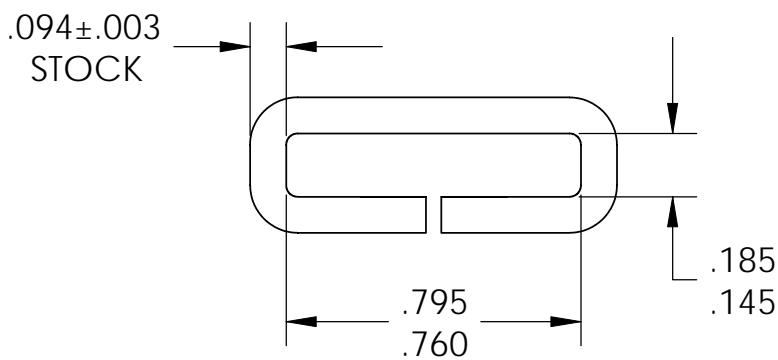
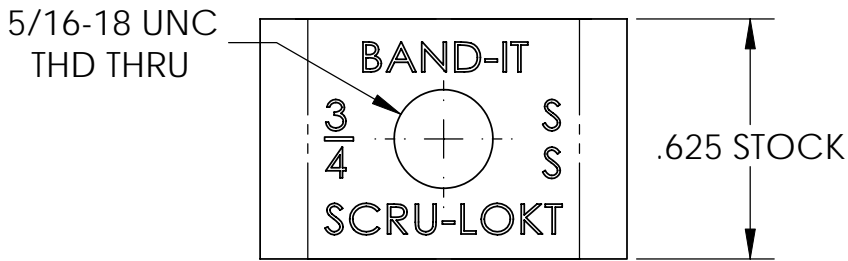


CUSTOMER SPECIFICATION DRAWING



NOTES:

1. QUANTITY: 10/BOX
2. SCRU-LOKT BUCKLES SUPPLIED WITH 5/32" HEX KEY AND SET SCREWS.
3. MATERIAL: PER BAND-IT SPECIFICATIONS
 BUCKLE - 301 1/4 HARD STAINLESS STEEL
 SET SCREW - 302 OR 303 STAINLESS STEEL

ABOVE SPECIFICATION CERTIFIED BY: _____ DATE: _____

TITLE: _____

UNLESS OTHERWISE NOTED:
 DIMENSIONS ARE IN INCHES
 AFTER FINISH

TOLERANCES:

X ±0.100
 .XX ±0.020
 .XXX ±0.005
 .XXXX ±0.001
 ANGLES ±0.5°

BAND-IT®

A unit of  Corporation
 P.O. Box 16307
 Denver, Colorado U.S.A.

PROPRIETARY AND CONFIDENTIAL

THIS DRAWING WITH ALL
 CONTENTS IS PROPERTY OF
 BAND-IT. REPRODUCTION,
 DISCLOSURE OR MFG.
 OF MATTER SHOWN IS PROHIBITED
 WITHOUT WRITTEN PERMISSION.

DO NOT SCALE DRAWING

TITLE:

BUCKLE, SCR-LOKT,
 3/4", GRAINGER

DWG. NO.

GRC726

REV -

SHEET 2 OF 2